

ICF-M770L/M770S/M770SL

SERVICE MANUAL

Ver 1.1 2002.06



Photo: ICF-M770SL

AEP Model
ICF-M770L/M770SL

UK Model
ICF-M770L

Italian Model
East European Model
ICF-M770S

SPECIFICATIONS

Time display: 24-hour system

Frequency range:

Band	ICF-M770L	ICF-M770S	ICF-M770SL	Channel step
FM	87.5 – 108 MHz	87.5 – 108 MHz	87.5 – 108 MHz	0.05 MHz
SW	—	5 800 – 15 900 kHz	5 800 – 15 900 kHz	5 kHz
MW	531 – 1 602 kHz	531 – 1 602 kHz	—	9 kHz
LW	153 – 279 kHz	—	153 – 279 kHz	9 kHz

Speaker: 12 cm (4 $\frac{3}{4}$ inches), 8 Ω

Power output: 350 mW (at 10% harmonic distortion)

Output: \odot (earphone) jack (ϕ 3.5 mm minijack)

Power requirements:

220–230 V AC, 50Hz

6 V DC, four R20 (size D) batteries

Dimensions:

Approx. 277 × 156 × 71.5 mm (w/h/d)

(Approx. 11 × 6 $\frac{1}{4}$ × 2 $\frac{7}{8}$ inches) incl. projecting parts and controls

Mass: Approx. 1 540 g (3lb 6 oz) incl. batteries

Supplied accessories: AC power cord (1)

Design and specifications are subject to change without notice.

ICF-M770L

FM/MW/LW PLL SYNTHESIZED

ICF-M770S

FM/SW/MW PLL SYNTHESIZED

ICF-M770SL

FM/SW/LW PLL SYNTHESIZED

9-873-657-02

2002F0500-1

© 2002.06

Sony Corporation

Personal Audio Company

Published by Sony Engineering Corporation

SONY®

**SECTION 1
SERVICING NOTE**

TABLE OF CONTENTS

1. SERVICING NOTE 2

2. GENERAL 3

3. DISASSEMBLY

3-1. Disassembly Flow 4

3-2. Cabinet Rear Assy 4

3-3. Chassis Assy 5

3-4. MAIN Board 5

4. ELECTRICAL ADJUSTMENTS 6

5. DIAGRAMS

5-1. Block Diagram 8

5-2. Note for Printed Wiring Boards and Schematic Diagrams 9

5-3. Printed Wiring Boards
– MAIN/JACK/POWER/INLET Boards – 10

5-4. Schematic Diagram
– MAIN/JACK/POWER/INLET Boards – 11

5-5. Printed Wiring Board – KEY Board – 12

5-6. Schematic Diagram – KEY Board – 13

5-7. IC Pin Function Description 14

6. EXPLODED VIEWS

6-1. Cabinet (Front) Section 15

6-2. Cabinet (Rear) Section 16

6-3. Chassis Section 17

7. ELECTRICAL PARTS LIST 18

HOW TO CHANGED THE CERAMIC FILTERS

This model is used two ceramic filters of CF2 and CF3.

You must use same type of color marked ceramic filters in order to meet same specifications.

Therefore, the ceramic filter must be changed two pieces together since it's supply two pieces in one package as a spare parts.

	Mark	Center frequency
	red	10.70 MHz
	blue	10.67 MHz
	orange	10.73 MHz
	black	10.64 MHz
	white	10.76 MHz

Notes on chip component replacement

- Never reuse a disconnected chip component.
- Notice that the minus side of a tantalum capacitor may be damaged by heat.

SAFETY-RELATED COMPONENT WARNING!!

COMPONENTS IDENTIFIED BY MARK \triangle OR DOTTED LINE WITH MARK \triangle ON THE SCHEMATIC DIAGRAMS AND IN THE PARTS LIST ARE CRITICAL TO SAFE OPERATION. REPLACE THESE COMPONENTS WITH SONY PARTS WHOSE PART NUMBERS APPEAR AS SHOWN IN THIS MANUAL OR IN SUPPLEMENTS PUBLISHED BY SONY.

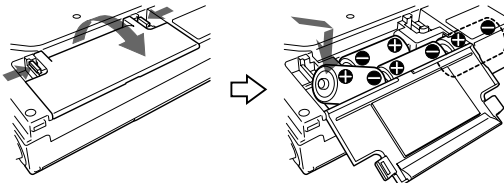
SECTION 2 GENERAL

This section is extracted from instruction manual.

A

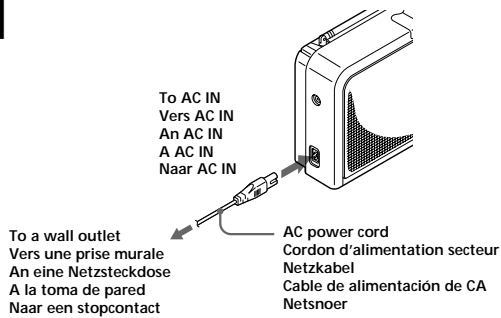
Rear
Arrière
Rückseite
Parte posterior
Achterkant

R20 (size D) × 4
R20 (D) × 4
R20 (Größe D) × 4
R20 (tamaño D) × 4
R20 (D) × 4



Insert **⊖** side of the battery first.
Insérez la borne **⊖** de la pile en premier.
Legen Sie die Batterien mit dem Minuspol **⊖** zuerst ein.
Inserte primero el lado **⊖** de la pila.
Breng de **⊖** kant van de batterij eerst in.

B



Setting the Clock

"0:00" will flash in the display when the batteries are installed or the AC power cord is plugged in for the first time.
The clock can be adjusted only when the radio is turned off.

- 1 Press **mb/CLOCK** (**CLOCK** for ICF-M770L) for more than 2 seconds.
The "hour" starts flashing.
- 2 Turn **TUNE/TIME SET** to set the hour for the current time, then press **mb/CLOCK** (**CLOCK** for ICF-M770L).
The "minute" starts flashing.
- 3 Turn **TUNE/TIME SET** to set the minute for the current time, then press **mb/CLOCK** (**CLOCK** for ICF-M770L).
The clock starts operating, and "—" starts flashing.

To set the current time exactly to the second, adjust the minute and then press **mb/CLOCK** (**CLOCK** for ICF-M770L) to synchronize with a time signal (such as the telephone time signal).

How to Adjust the Time Digits

When you turn **TUNE/TIME SET** to **↖** or **↘**, the time digits move forward or backward by one step, and when you turn it to **↗** or **↙**, the time digits move rapidly.

Notes

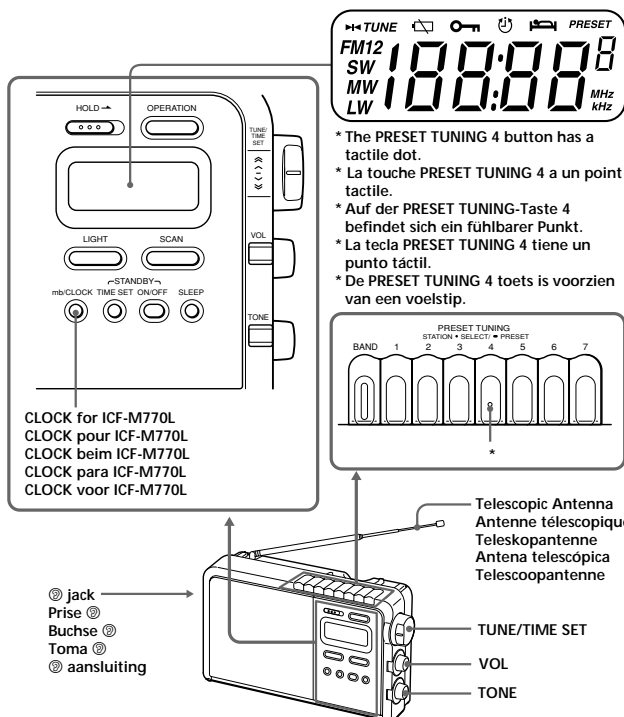
- If you do not operate **mb/CLOCK** (**CLOCK** for ICF-M770L) or **TUNE/TIME SET** within 65 seconds, the clock setting mode will be cancelled.
- 24-hour system : "0:00" = midnight, "12:00" = noon

Using the Backlight Function

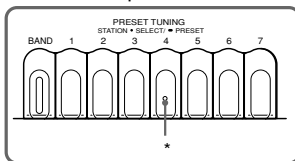
Press **LIGHT** to turn on the backlight.
To turn off the backlight, press **LIGHT** again.

When operating the unit on batteries

The backlight will turn off automatically after 30 seconds to save the batteries. However, if you operate the radio while the backlight is lit, it will stay on for another 30 seconds.
To turn off the backlight before the time has elapsed, press **LIGHT**.



- * The PRESET TUNING 4 button has a tactile dot.
- * La touche PRESET TUNING 4 a un point tactile.
- * Auf der PRESET TUNING-Taste 4 befindet sich ein fühlbarer Punkt.
- * La tecla PRESET TUNING 4 tiene un punto táctil.
- * De PRESET TUNING 4 toets is voorzien van een voelstip.

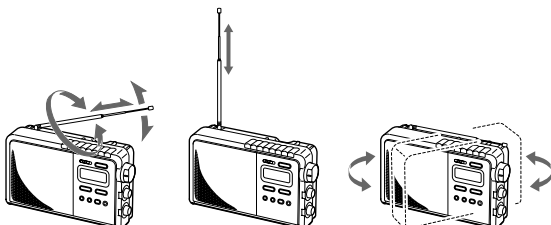


C

FM

SW

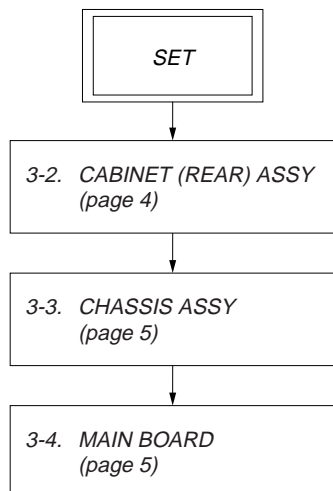
MW/LW



SECTION 3 DISASSEMBLY

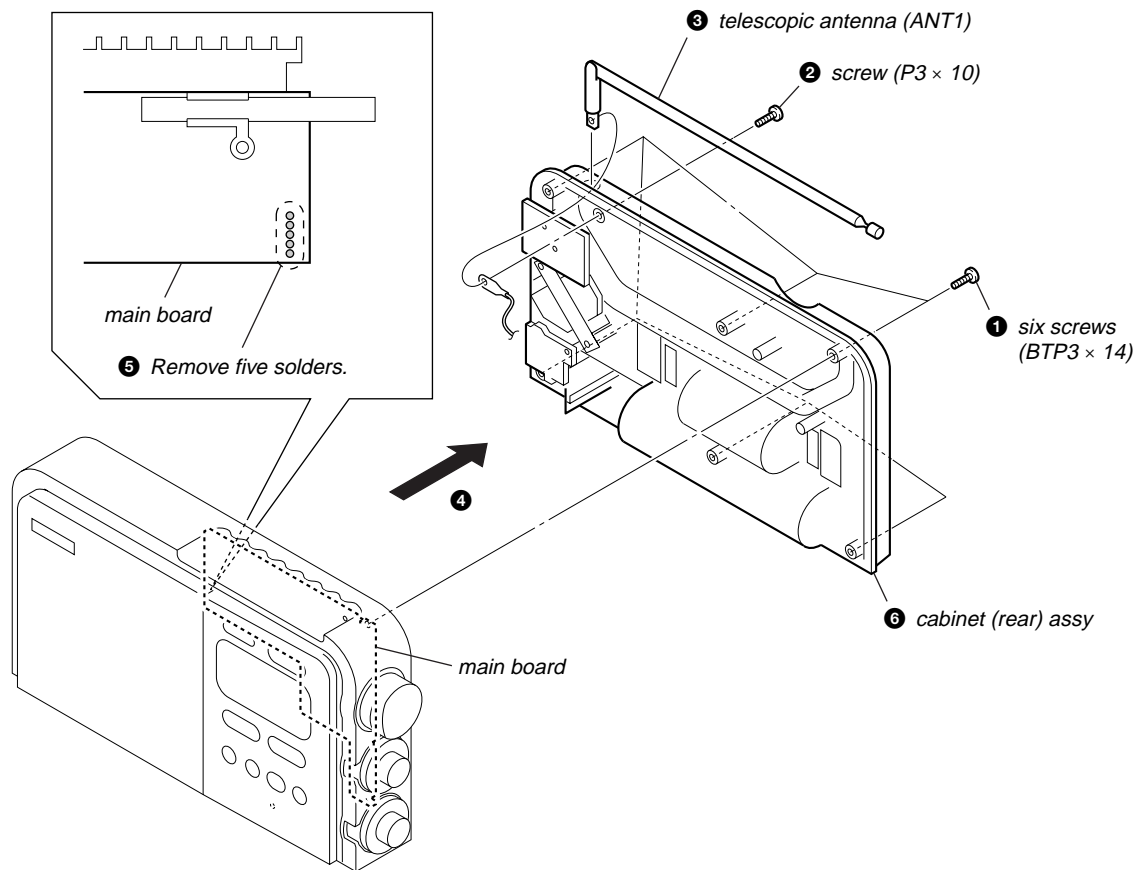
• This set can be disassembled in the order shown below.

3-1. DISASSEMBLY FLOW

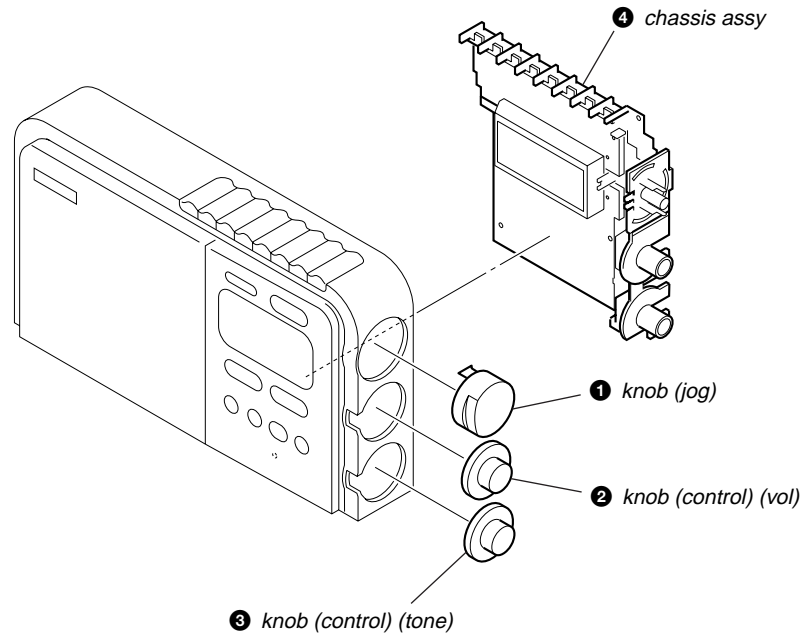


Note: Follow the disassembly procedure in the numerical order given.

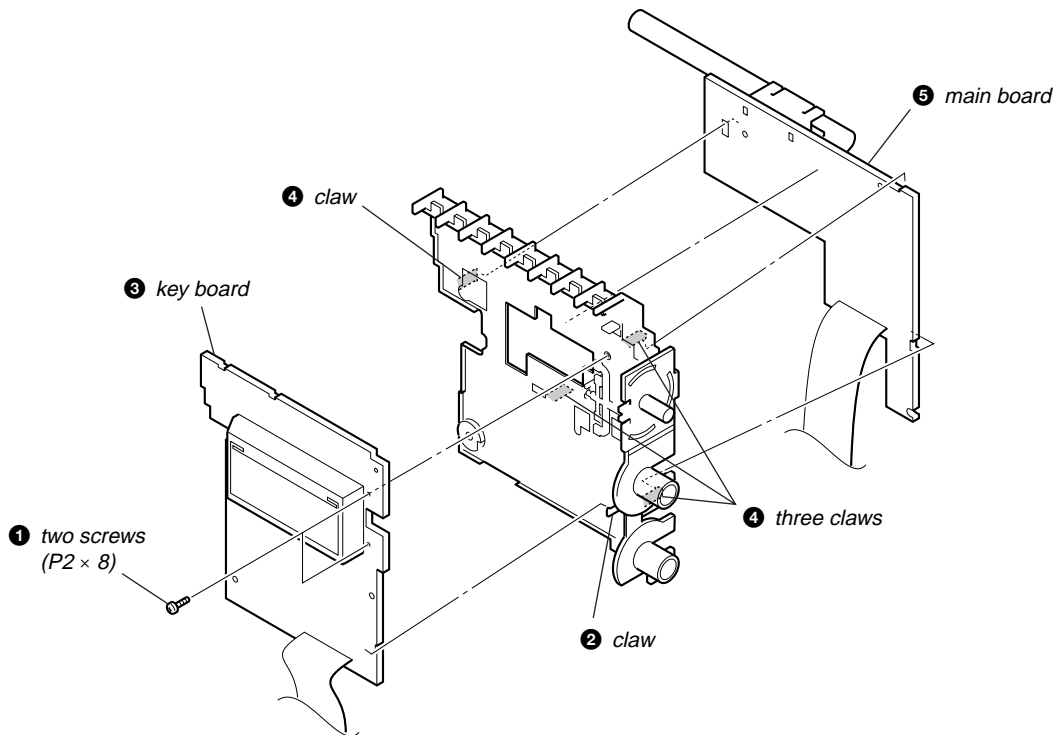
3-2. CABINET (REAR) ASSY



3-3. CHASSIS ASSY



3-4. MAIN BOARD



SECTION 4
ELECTRICAL ADJUSTMENTS

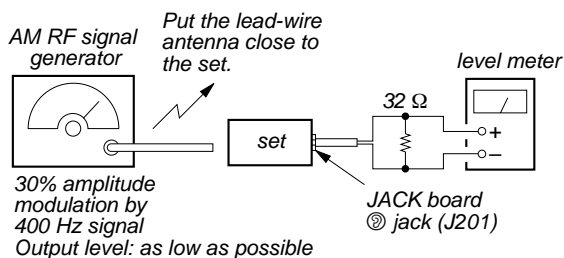
0 dB=1 μ V

no mark : common
(): ICF-M770L
[]: ICF-M770S
<< >>: ICF-M770SL

[MW/LW]

Setting:

BAND switch: MW or LW

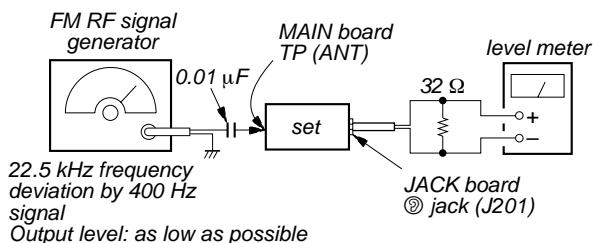


AM IF ADJUSTMENT	
Adjust for a maximum reading on level meter	
T1	450 kHz

[FM]

Setting:

BAND switch: FM



MW VT VOLTAGE ADJUSTMENT		
Adjustment Part	Frequency Display	Reading on Digital Voltmeter
(L8) [L10]	531 kHz	2.5 \pm 0.1 V [2.8 \pm 0.1 V]
Confirmation	1,602 kHz	9.6 \pm 1.0 V

MW TRACKING ADJUSTMENT	
Adjust for a maximum reading on level meter	
(L5-1) [L5]	603 kHz
(CT1) [CT2]	1,404 kHz

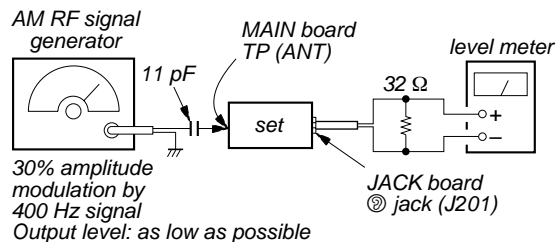
LW VT VOLTAGE ADJUSTMENT		
Adjustment Part	Frequency Display	Reading on Digital Voltmeter
(CT3) <<[L10]>>	153 kHz	2.2 \pm 0.1 V <<2.8 \pm 0.1 V>>
Confirmation	279 kHz	8.6 \pm 1.0 V

LW TRACKING ADJUSTMENT	
Adjust for a maximum reading on level meter	
(L5-2) <<[L5]>>	162 kHz
CT2	243 kHz

[SW] (ICF-M770S/M770SL)

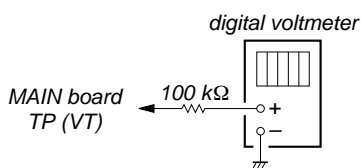
Setting:

BAND switch: SW



FM VT VOLTAGE ADJUSTMENT		
Adjustment Part	Frequency Display	Reading on Digital Voltmeter
L14	87.5 MHz	2.9 \pm 1.0 V
Confirmation	108 MHz	9.1 \pm 1.0 V

FM TRACKING ADJUSTMENT	
Adjust for a maximum reading on level meter	
L12, 13	87.5 MHz
CT4	108 MHz



SW VT VOLTAGE ADJUSTMENT*		
Adjustment Part	Frequency Display	Reading on Digital Voltmeter
L8	5,800 kHz	2.7 \pm 0.1 V
Confirmation	15,900 kHz	9.1 \pm 1.0 V

SW TRACKING ADJUSTMENT*	
Adjust for a maximum reading on level meter	
L3	5,800 kHz
CT1	15,900 kHz

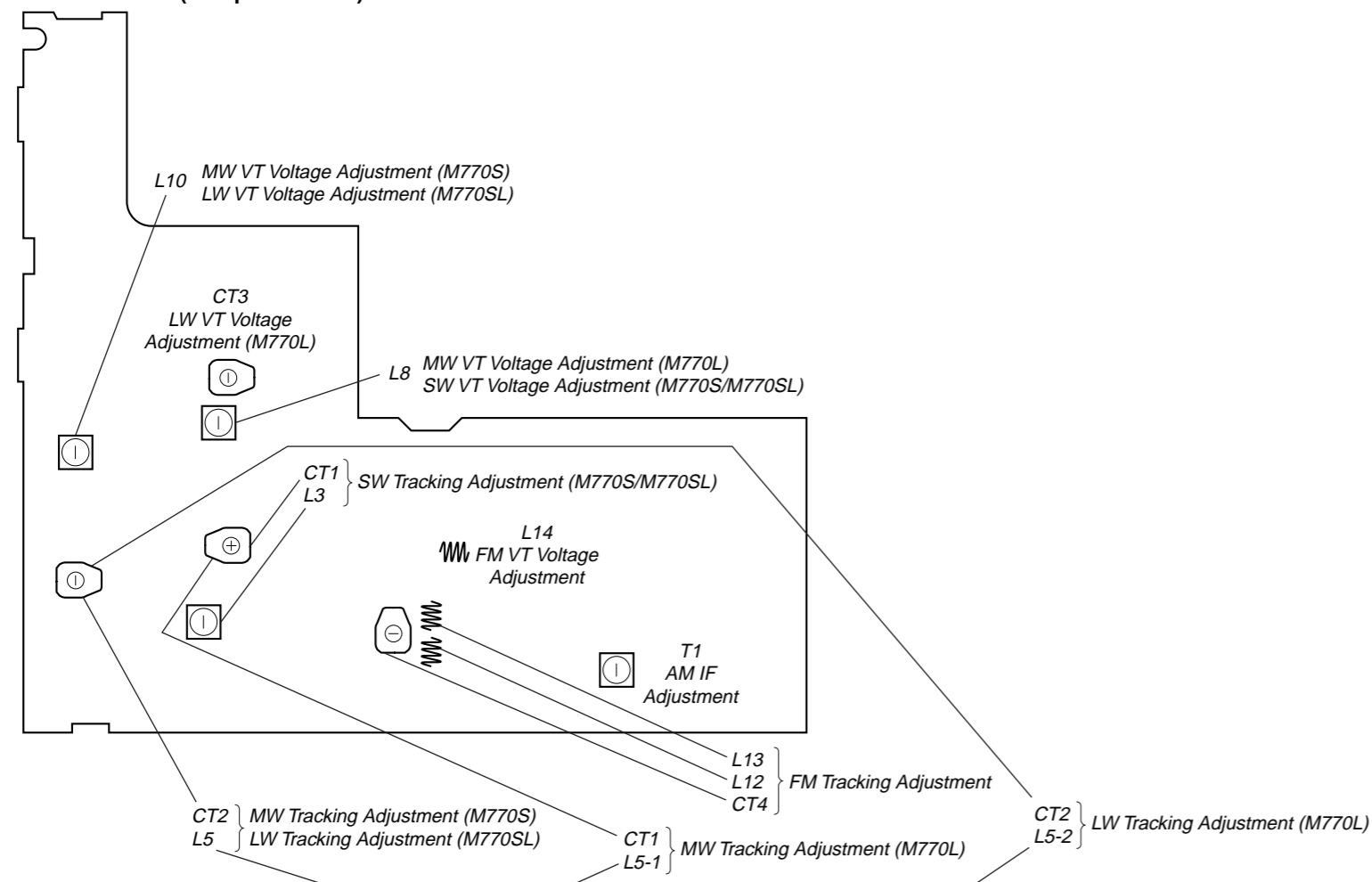
*: ICF-M770S/M770SL

Adjustment Location: MAIN board (See page 7)

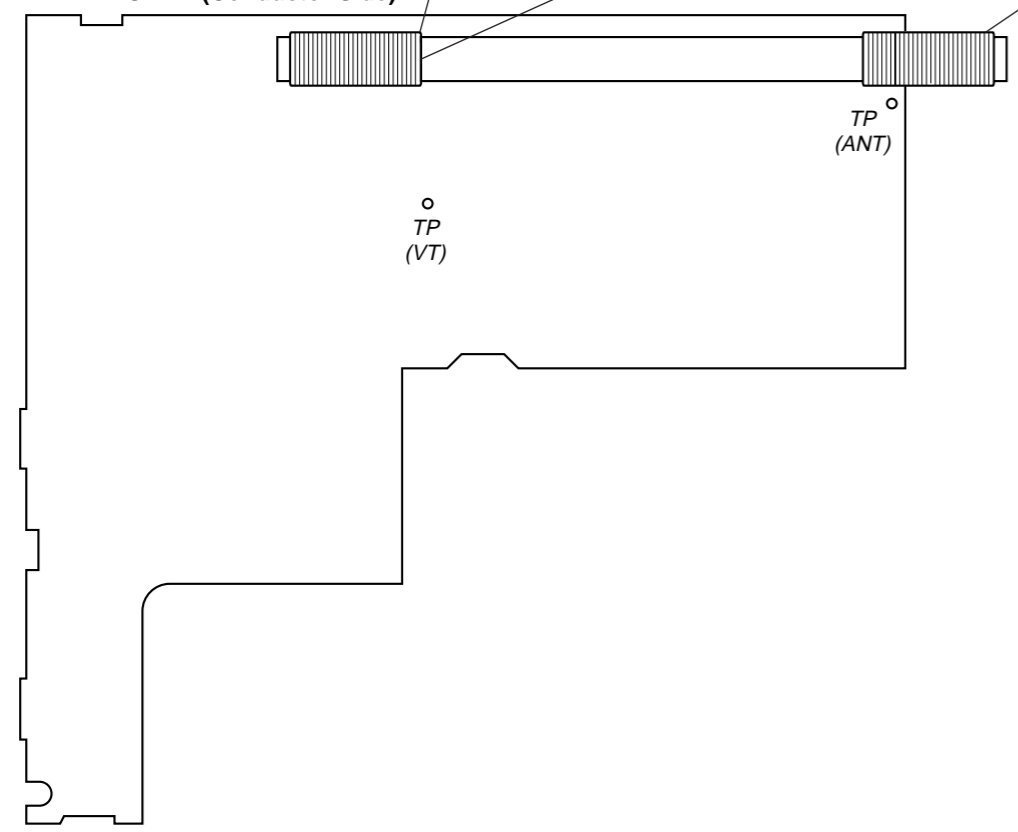
- Repeat the procedures in each adjustment several times, and the tracking adjustments should be finally done by the trimmer capacitors.
- Remove FM/SW antenna in FM/SW adjustment.

Adjustment Location:

– MAIN BOARD (Component Side) –

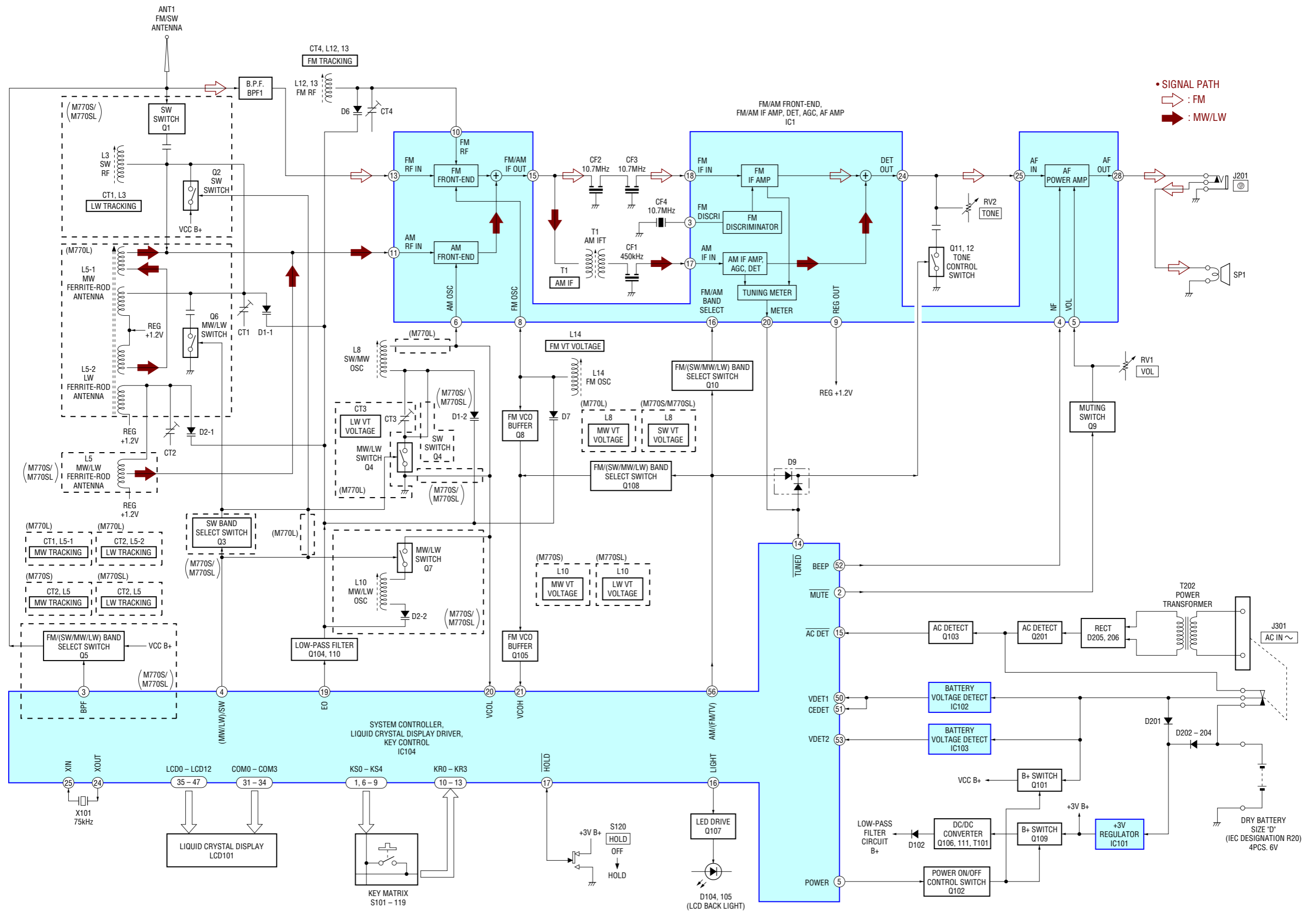


– MAIN BOARD (Conductor Side) –



SECTION 5
DIAGRAMS

5-1. BLOCK DIAGRAM



5-2. NOTE FOR PRINTED WIRING BOARD AND SCHEMATIC DIAGRAMS

Note on Printed Wiring Board:

- : parts extracted from the component side.
- : parts extracted from the conductor side.
- : indicates side identified with part number.
- △ : internal component.
- : Pattern from the side which enables seeing. (The other layers' patterns are not indicated.)

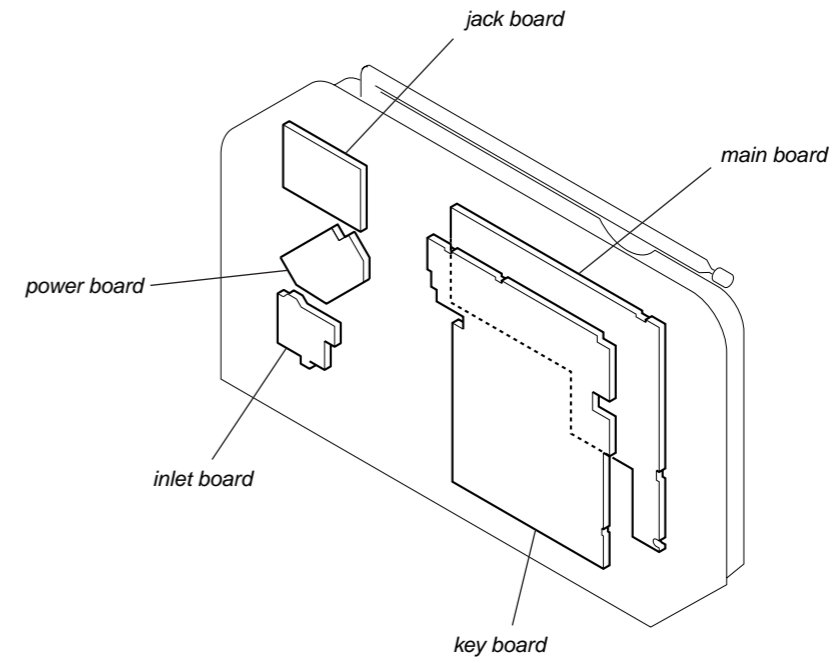
Note on Schematic Diagram:

- All capacitors are in μF unless otherwise noted. pF : $\mu\mu\text{F}$ 50 WV or less are not indicated except for electrolytics and tantalums.
- All resistors are in Ω and $1/4\text{W}$ or less unless otherwise specified.
- △ : internal component.
- : panel designation.

Note: The components identified by mark △ or dotted line with mark △ are critical for safety. Replace only with part number specified.

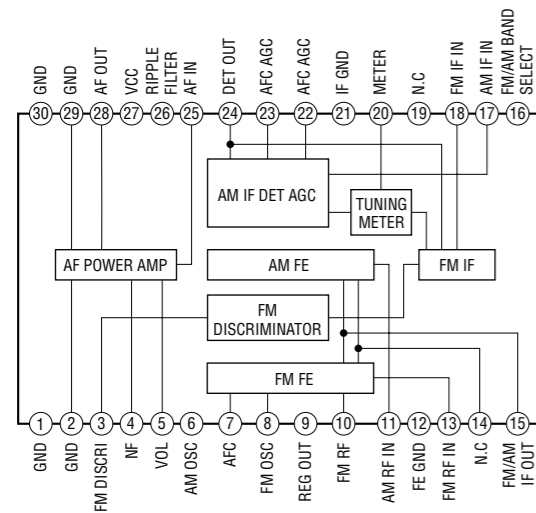
- : B+ Line.
- : adjustment for repair.
- Power voltage is dc 6 V and fed with regulated dc power supply from battery terminal.
- Voltages and waveforms are dc with respect to ground in no-signal (detuned) conditions.
 - no mark : FM
 - () : SW
 - [] : MW
 - << >> : LW
- Voltages are taken with a VOM (Input impedance 10 M Ω). Voltage variations may be noted due to normal production tolerances.
- Waveforms are taken with a oscilloscope. Voltage variations may be noted due to normal production tolerances.
- Circled numbers refer to waveforms.
- Signal path.
 - ◁ : FM
 - ▶ : MW/LW

• Circuit Boards Location

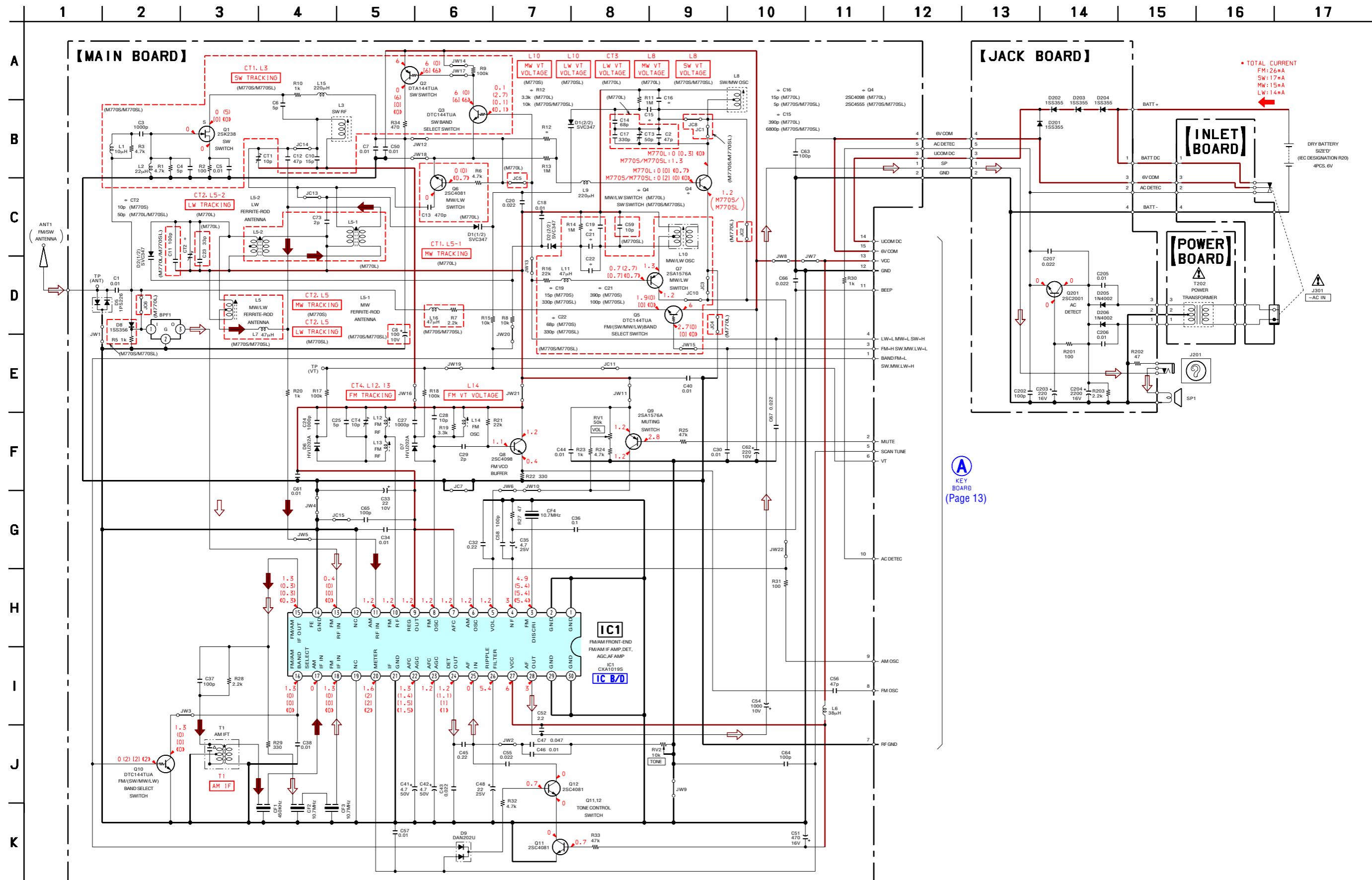


• IC Block Diagram

IC1 CXA1019S



5-4. SCHEMATIC DIAGRAM – MAIN/JACK/POWER/INLET Boards – • See page 9 for IC Block Diagram.



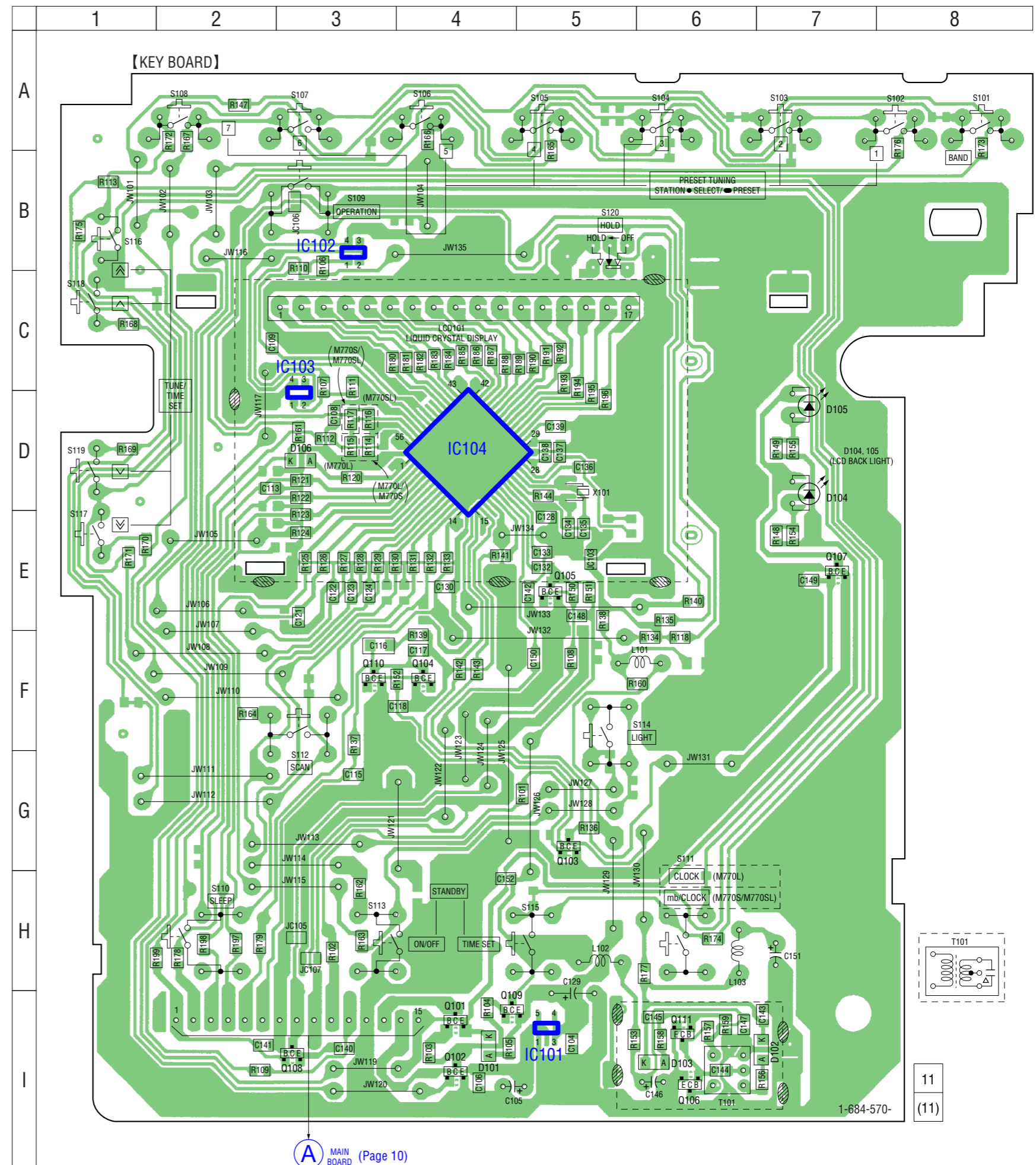
A
KEY BOARD
(Page 13)

The components identified by mark Δ or dotted line with mark Δ are critical for safety. Replace only with part number specified.

5-5. PRINTED WIRING BOARD – KEY Board – • See page 9 for Circuit Boards Location.

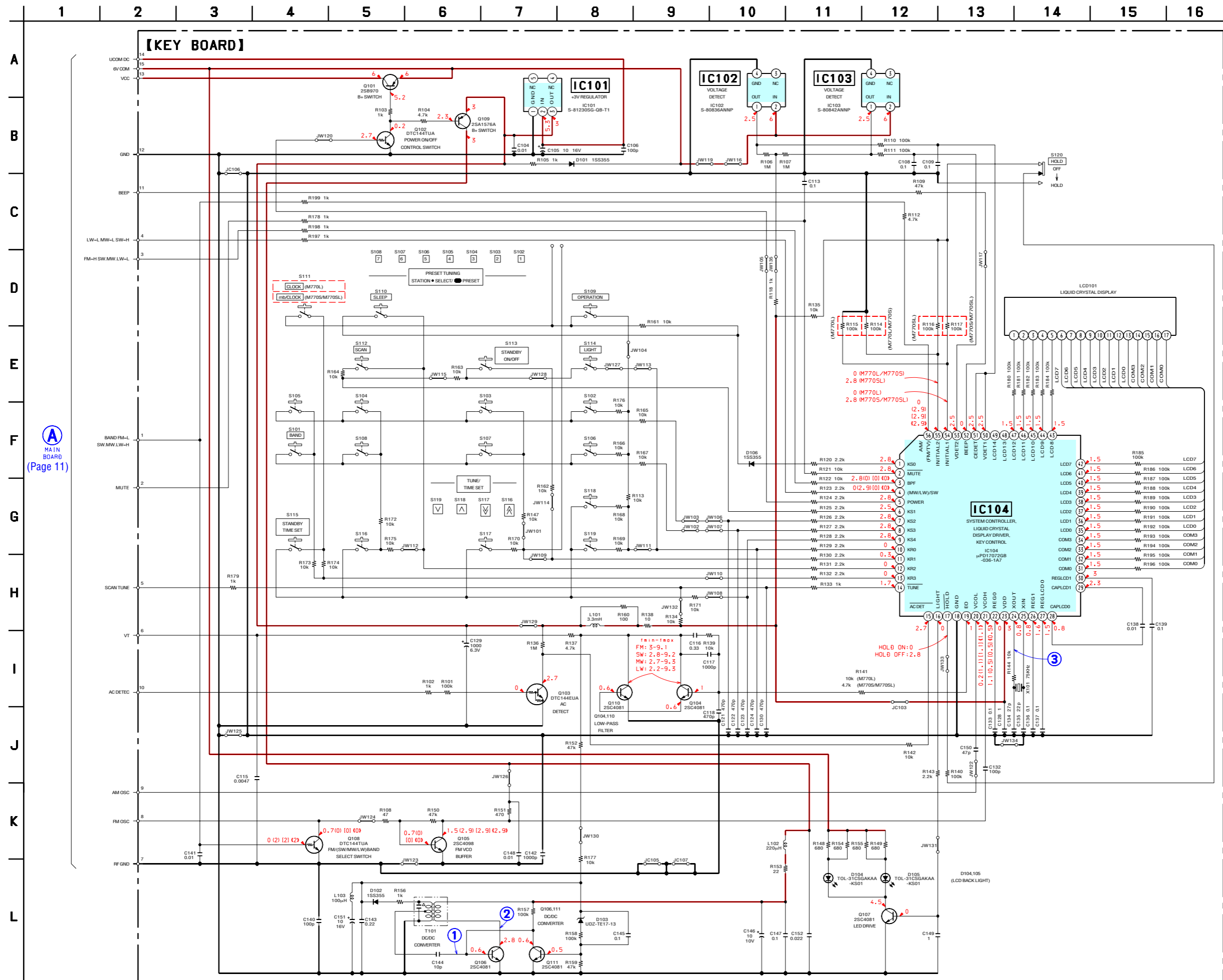
• Semiconductor Location

Ref. No.	Location
D101	I-4
D102	I-7
D103	I-6
D104	D-7
D105	D-7
D106	D-3
IC101	I-5
IC102	B-3
IC103	D-3
IC104	D-4
Q101	I-4
Q102	I-4
Q103	G-5
Q104	F-4
Q105	E-5
Q106	I-6
Q107	E-7
Q108	I-3
Q109	I-4
Q110	F-3
Q111	I-6



A MAIN BOARD (Page 10)

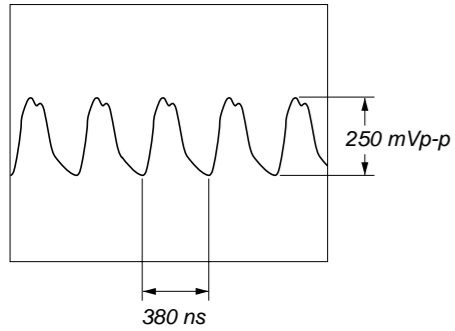
5-6. SCHEMATIC DIAGRAM – KEY Board – • See page 14 for Waveforms.



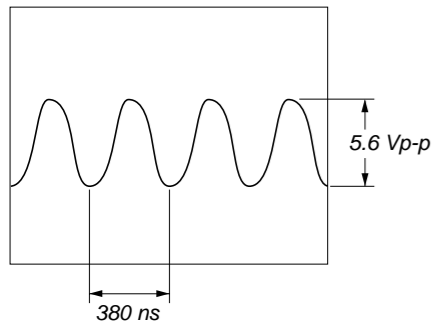
A
 MAIN BOARD
 (Page 11)

• Waveforms
– KEY Board –

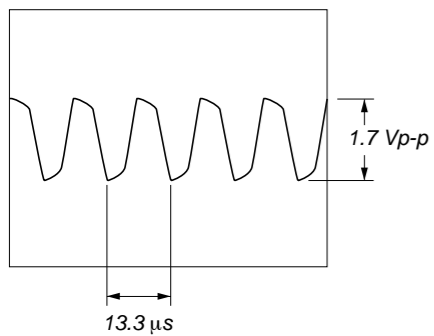
① Q106 (Base), Q111 (Collector)



② Q106 (Collector)



③ IC104 (XOUT)



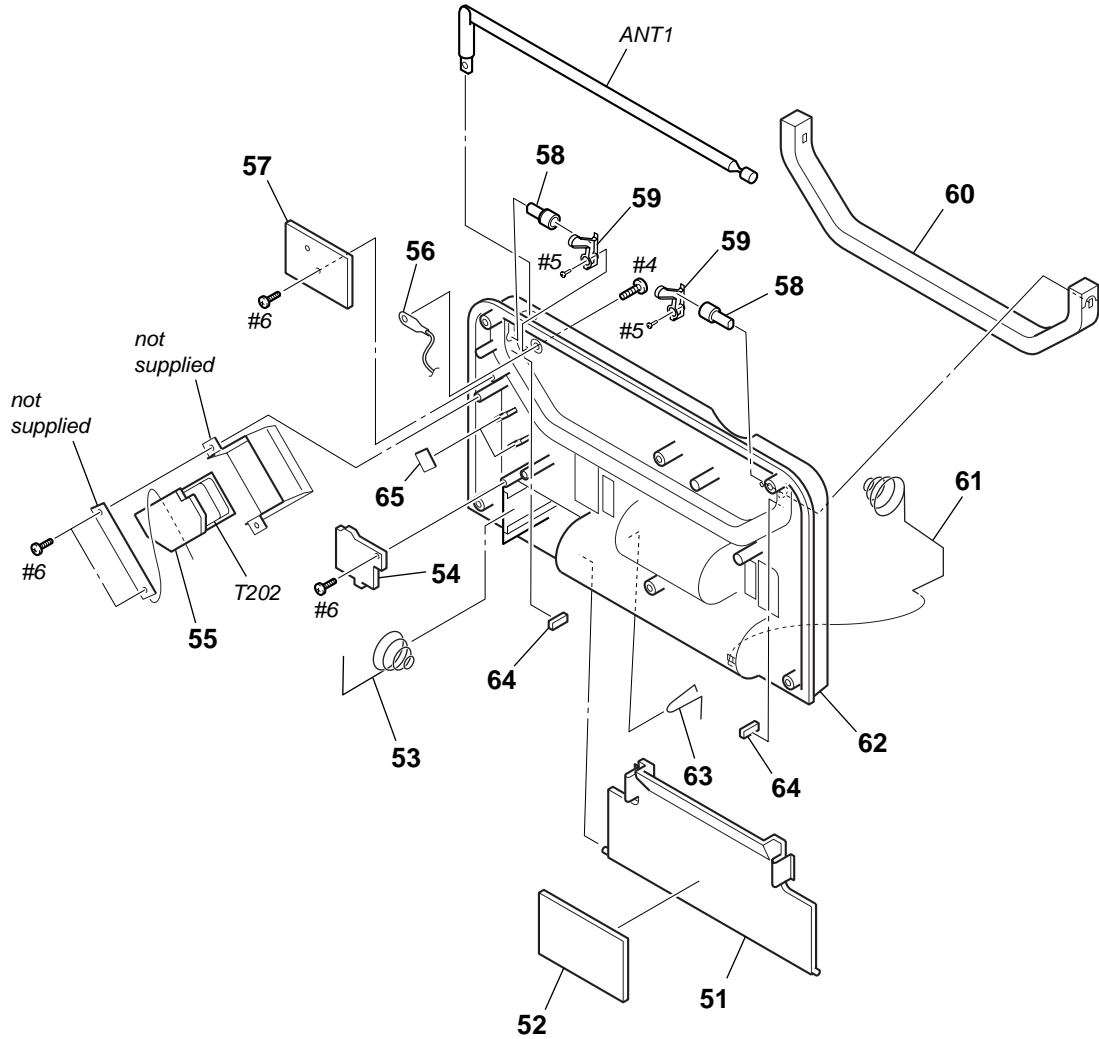
5-7. IC PIN FUNCTION DESCRIPTION

• KEY BOARD IC104 μ PD17027GB-036-1A7

(SYSTEM CONTROLLER, LIQUID CRYSTAL DISPLAY DRIVER, KEY CONTROL)

Pin No.	Pin Name	I/O	Description
1	KS0	O	Key source signal output
2	$\overline{\text{MUTE}}$	O	Muting on/off control signal output "L": muting on
3	BPF	O	Band selection signal output "L": SW/MW/LW, "H": FM Used for the ICF-M770S/770SL (ICF-M770L: Not used)
4	(MW/LW)/SW	O	Band selection signal output "L": MW/LW, "H": SW
5	POWER	O	Power on/off control signal output for the tuner section "H": radio power on
6 to 9	KS1 to KS4	O	Key source signal output
10 to 13	KR0 to KR3	I	Key return signal input
14	$\overline{\text{TUNED}}$	I	Tuning detection signal input "L": tuned
15	$\overline{\text{AC DET}}$	I	AC voltage detection signal input "L": AC detected
16	LIGHT	O	LED drive signal output of the liquid crystal display back light "H": LED on
17	$\overline{\text{HOLD}}$	O	HOLD switch input terminal "L": hold on
18	GND	—	Ground terminal
19	EO	O	PLL frequency synthesizer charge pump output
20	VCOL	I	SW/MW/LW VCO input terminal
21	VCOH	I	FM VCO input terminal
22	REG0	O	Voltage regulator output terminal for the PLL
23	VDD	—	Power supply terminal (+3V)
24	XOUT	O	System clock output terminal (75 kHz)
25	XIN	I	System clock input terminal (75 kHz)
26	REG1	O	Voltage regulator output terminal for the oscillator circuit
27	REGLCD0	—	Connection terminal of doubler circuit capacitor for liquid crystal display drive power supply
28	CAPLCD0	—	Connection terminal of doubler circuit capacitor
29	CAPLCD1	—	Connection terminal of doubler circuit capacitor
30	REGLCD1	—	Connection terminal of doubler circuit capacitor for liquid crystal display drive power supply
31 to 34	COM0 to COM3	O	Common drive signal output to the liquid crystal display
35 to 47	LCD0 to LCD12	O	Segment drive signal output to the liquid crystal display
48, 49	LCD13, LCD14	O	Segment drive signal output to the liquid crystal display Not used
50	VDET1	I	Voltage detection signal input "L": 2.5V or less
51	CEDET	I	Voltage detection signal input "L": 2.5V or less
52	BEEP	O	Beep sound drive signal output
53	VDET2	I	Voltage detection signal input "L": 2.9V or less
54	INITIAL1	I	Model setting input terminal "L": ICF-M770L, "H": ICF-M770S/M770SL
55	INITIAL2	I	Model setting input terminal "L": ICF-M770L/M770S, "H": ICF-M770SL
56	AM/(FM/TV)	O	Band selection signal output "L": FM, "H": SW/MW/LW

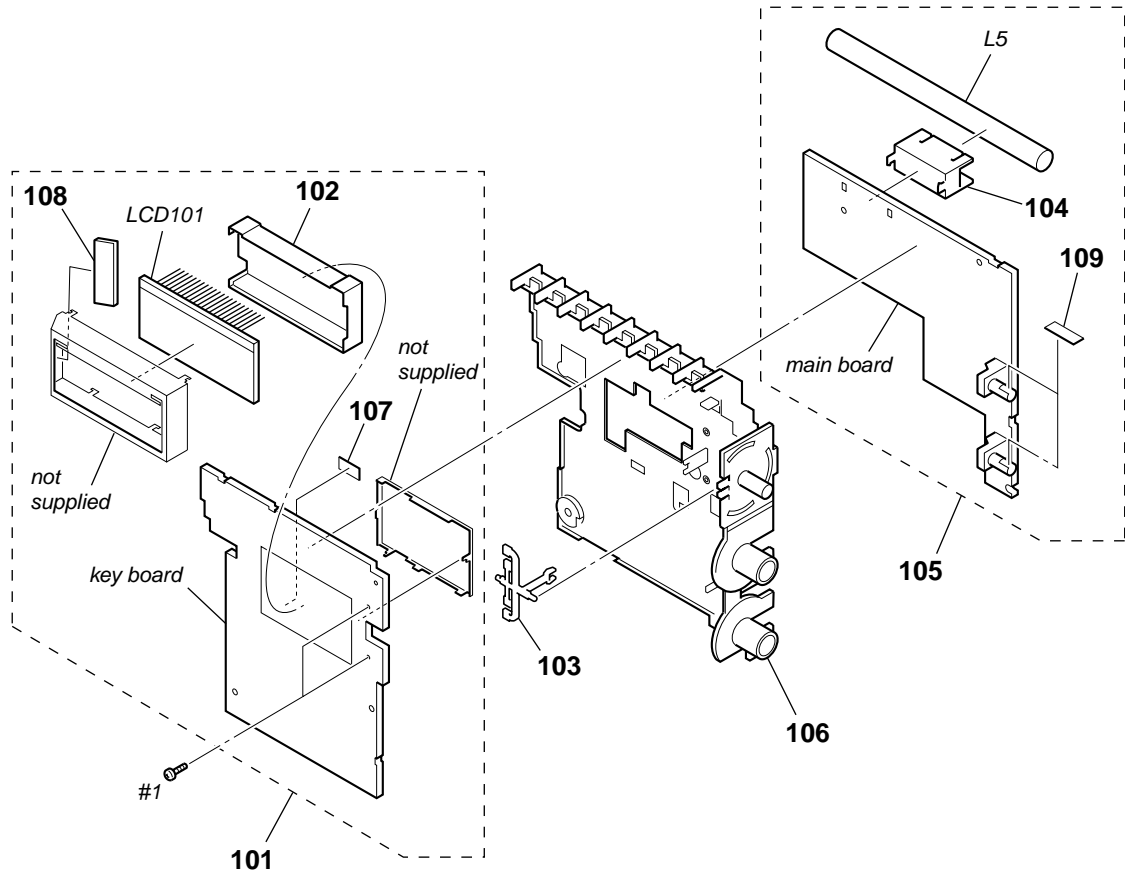
6-2. CABINET (REAR) SECTION



The components identified by mark Δ or dotted line with mark Δ are critical for safety. Replace only with part number specified.

Ref. No.	Part No.	Description	Remark	Ref. No.	Part No.	Description	Remark
51	3-237-053-01	LID, BATTERY CASE		61	3-237-065-01	TERMINAL (+/-), BATTERY	
52	3-939-499-01	CUSHION (BATT)		62	3-237-022-01	CABINET (REAR)	
53	3-237-064-01	TERMINAL (-), BATTERY		63	3-237-063-01	TERMINAL (+), BATTERY	
* 54	1-684-567-11	INLET BOARD		64	3-244-251-01	CUSHION (A)	
* 55	1-684-569-11	POWER BOARD		65	3-880-474-01	CUSHION, 15X5X0.3	
56	3-228-709-01	PLATE, ANTENNA CONTACT		ANT1	1-501-321-51	ANTENNA, TELESCOPIC	
* 57	1-684-568-11	JACK BOARD		Δ T202	1-435-614-11	TRANSFORMER, POWER	
58	3-237-056-01	SHAFT (HANDLE)		#4	7-682-149-13	SCREW +P 3X10	
59	3-237-336-01	SPRING (HANDLE) (R)		#5	7-685-102-19	SCREW +P 2X4 TYPE2 NON-SLIT	
60	3-237-054-01	HANDLE		#6	7-685-134-19	SCREW +P 2.6X8 TYPE2 NON-SLIT	

6-3. CHASSIS SECTION



Ref. No.	Part No.	Description	Remark	Ref. No.	Part No.	Description	Remark
* 101	A-3021-849-A	KEY BOARD, COMPLETE (M770SL)		106	3-237-023-01	CHASSIS	
* 101	A-3021-855-A	KEY BOARD, COMPLETE (M770S)		* 107	3-010-281-01	SPACER (B)	
101	A-3021-877-A	KEY BOARD, COMPLETE (M770L)		108	3-244-087-01	SHEET (A)	
102	3-237-051-01	HOLDER, LCD		109	3-559-407-01	CUSHION, STOPPER	
103	3-237-055-01	ARM (JOG)		L5	1-428-955-11	COIL, FERRITE-ROD ANTENNA (MW) (M770S)	
104	3-237-058-01	HOLDER (FERRITE-ROD ANTENNA)		L5	1-428-956-11	COIL, FERRITE-ROD ANTENNA (M770L)	
* 105	A-3021-848-A	MAIN BOARD, COMPLETE (M770SL)		L5	1-501-954-21	ANTENNA, FERRITE-ROD (LW) (M770SL)	
* 105	A-3021-854-A	MAIN BOARD, COMPLETE (M770S)		LCD101	1-804-671-11	DISPLAY PANEL, LIQUID CRYSTAL	
105	A-3021-876-A	MAIN BOARD, COMPLETE (M770L)		#1	7-685-105-14	TAPPING +P 2X8 NON-SLIT	

SECTION 7
ELECTRICAL PARTS LIST

INLET **JACK** **KEY**

NOTE:

- Due to standardization, replacements in the parts list may be different from the parts specified in the diagrams or the components used on the set.
- -XX and -X mean standardized parts, so they may have some difference from the original one.
- RESISTORS
All resistors are in ohms.
METAL: Metal-film resistor.
METAL OXIDE: Metal oxide-film resistor.
F: nonflammable

- Items marked “*” are not stocked since they are seldom required for routine service. Some delay should be anticipated when ordering these items.
- SEMICONDUCTORS
In each case, u: μ , for example:
uA. . : μ A. . uPA. . : μ PA. .
uPB. . : μ PB. . uPC. . : μ PC. .
uPD. . : μ PD. .
- CAPACITORS
uF: μ F
• COILS
uH: μ H

The components identified by mark Δ or dotted line with mark Δ are critical for safety. Replace only with part number specified.

When indicating parts by reference number, please include the board.

Ref. No.	Part No.	Description	Remark
*	1-684-567-11	INLET BOARD *****	
		< JACK >	
Δ J301	1-526-838-31	INLET, AC 2P (~ AC IN) *****	
*	1-684-568-11	JACK BOARD *****	
		< CAPACITOR >	
C202	1-162-927-11	CERAMIC CHIP 100PF 5% 50V	
C203	1-126-934-11	ELECT 220uF 20% 16V	
C204	1-126-768-11	ELECT 2200uF 20% 16V	
C205	1-162-970-11	CERAMIC CHIP 0.01uF 10% 25V	
C206	1-162-970-11	CERAMIC CHIP 0.01uF 10% 25V	
C207	1-164-227-11	CERAMIC CHIP 0.022uF 10% 25V	
		< DIODE >	
D201	8-719-988-61	DIODE 1SS355TE-17	
D202	8-719-988-61	DIODE 1SS355TE-17	
D203	8-719-988-61	DIODE 1SS355TE-17	
D204	8-719-988-61	DIODE 1SS355TE-17	
D205	8-719-052-88	DIODE 1N4002	
D206	8-719-052-88	DIODE 1N4002	
		< JACK >	
J201	1-563-836-21	JACK (⊙)	
		< TRANSISTOR >	
Q201	8-729-011-92	TRANSISTOR 2SC2001TP-K1K2	
		< RESISTOR >	
R201	1-216-809-11	METAL CHIP 100 5% 1/10W	
R202	1-216-805-11	METAL CHIP 47 5% 1/10W	
R203	1-216-825-11	METAL CHIP 2.2K 5% 1/10W	

Ref. No.	Part No.	Description	Remark
*	A-3021-849-A	KEY BOARD, COMPLETE (M770SL)	
*	A-3021-855-A	KEY BOARD, COMPLETE (M770S)	
*	A-3021-877-A	KEY BOARD, COMPLETE (M770L) *****	
*	3-010-281-01	SPACER (B)	
	3-237-051-01	HOLDER, LCD	
		< CAPACITOR >	
C104	1-162-970-11	CERAMIC CHIP 0.01uF 10% 25V	
C105	1-104-396-11	ELECT 10uF 20% 16V	
C106	1-162-927-11	CERAMIC CHIP 100PF 5% 50V	
C108	1-164-156-11	CERAMIC CHIP 0.1uF 25V	
C109	1-164-156-11	CERAMIC CHIP 0.1uF 25V	
C113	1-115-156-11	CERAMIC CHIP 1uF 10V	
C115	1-162-968-11	CERAMIC CHIP 0.0047uF 10% 50V	
C116	1-110-501-11	CERAMIC CHIP 0.33uF 10% 16V	
C117	1-115-416-11	CERAMIC CHIP 0.001uF 5% 25V	
C118	1-164-315-11	CERAMIC CHIP 470PF 5% 50V	
C121	1-164-315-11	CERAMIC CHIP 470PF 5% 50V	
C122	1-164-315-11	CERAMIC CHIP 470PF 5% 50V	
C123	1-164-315-11	CERAMIC CHIP 470PF 5% 50V	
C124	1-164-315-11	CERAMIC CHIP 470PF 5% 50V	
C128	1-115-156-11	CERAMIC CHIP 1uF 10V	
C129	1-126-916-11	ELECT 1000uF 20% 6.3V	
C130	1-164-315-11	CERAMIC CHIP 470PF 5% 50V	
C132	1-162-927-11	CERAMIC CHIP 100PF 5% 50V	
C133	1-164-156-11	CERAMIC CHIP 0.1uF 25V	
C134	1-162-920-11	CERAMIC CHIP 27PF 5% 50V	
C135	1-162-919-11	CERAMIC CHIP 22PF 5% 50V	
C136	1-164-156-11	CERAMIC CHIP 0.1uF 25V	
C137	1-164-156-11	CERAMIC CHIP 0.1uF 25V	
C138	1-162-970-11	CERAMIC CHIP 0.01uF 10% 25V	
C139	1-164-156-11	CERAMIC CHIP 0.1uF 25V	
C140	1-162-927-11	CERAMIC CHIP 100PF 5% 50V	
C141	1-162-970-11	CERAMIC CHIP 0.01uF 10% 25V	
C142	1-115-416-11	CERAMIC CHIP 0.001uF 5% 25V	
C143	1-165-128-11	CERAMIC CHIP 0.22uF 16V	
C144	1-162-915-11	CERAMIC CHIP 10PF 0.5PF 50V	
C145	1-164-156-11	CERAMIC CHIP 0.1uF 25V	
C146	1-124-261-00	ELECT 10uF 20% 50V	
C147	1-164-156-11	CERAMIC CHIP 0.1uF 25V	
C148	1-162-970-11	CERAMIC CHIP 0.01uF 10% 25V	
C149	1-115-156-11	CERAMIC CHIP 1uF 10V	

KEY

Ref. No.	Part No.	Description	Remark	Ref. No.	Part No.	Description	Remark
C150	1-162-923-11	CERAMIC CHIP 47PF 5% 50V		R111	1-216-845-11	METAL CHIP 100K 5% 1/10W	
C151	1-104-396-11	ELECT 10uF 20% 16V		R112	1-216-829-11	METAL CHIP 4.7K 5% 1/10W	
C152	1-164-227-11	CERAMIC CHIP 0.022uF 10% 25V		R113	1-216-833-11	METAL CHIP 10K 5% 1/10W	
		< DIODE >		R114	1-216-845-11	METAL CHIP 100K 5% 1/10W	(M770L/M770S)
D101	8-719-988-61	DIODE 1SS355TE-17		R115	1-216-845-11	METAL CHIP 100K 5% 1/10W	(M770L)
D102	8-719-988-61	DIODE 1SS355TE-17					
D103	8-719-083-63	DIODE UDZSTE-1713B		R116	1-216-845-11	METAL CHIP 100K 5% 1/10W	(M770SL)
D104	6-500-040-01	LED TOL-31CSGAKAA-KS01 (LCD BACK LIGHT)		R117	1-216-845-11	METAL CHIP 100K 5% 1/10W	(M770S/M770SL)
D105	6-500-040-01	LED TOL-31CSGAKAA-KS01 (LCD BACK LIGHT)		R118	1-216-821-11	METAL CHIP 1K 5% 1/10W	
D106	8-719-988-61	DIODE 1SS355TE-17		R120	1-216-825-11	METAL CHIP 2.2K 5% 1/10W	
		< IC >		R121	1-216-833-11	METAL CHIP 10K 5% 1/10W	
IC101	8-759-198-63	IC S-81230SG-QB-T1		R122	1-216-833-11	METAL CHIP 10K 5% 1/10W	
IC102	6-702-128-01	IC S-80836ANNP-ED0-T2		R123	1-216-825-11	METAL CHIP 2.2K 5% 1/10W	
IC103	8-759-582-91	IC S-80842ANNP-ED6-T2		R124	1-216-825-11	METAL CHIP 2.2K 5% 1/10W	
IC104	6-801-726-01	IC uPD17072GB-036-1A7		R125	1-216-825-11	METAL CHIP 2.2K 5% 1/10W	
		< RESISTOR >		R126	1-216-825-11	METAL CHIP 2.2K 5% 1/10W	
JC103	1-216-864-11	SHORT CHIP 0		R127	1-216-825-11	METAL CHIP 2.2K 5% 1/10W	
JC105	1-216-864-11	SHORT CHIP 0		R128	1-216-825-11	METAL CHIP 2.2K 5% 1/10W	
JC106	1-216-864-11	SHORT CHIP 0		R129	1-216-825-11	METAL CHIP 2.2K 5% 1/10W	
JC107	1-216-864-11	SHORT CHIP 0		R130	1-216-825-11	METAL CHIP 2.2K 5% 1/10W	
		< COIL >		R131	1-216-825-11	METAL CHIP 2.2K 5% 1/10W	
L101	1-410-065-11	INDUCTOR 3.3mH		R132	1-216-825-11	METAL CHIP 2.2K 5% 1/10W	
L102	1-410-525-11	INDUCTOR 220uH		R133	1-216-821-11	METAL CHIP 1K 5% 1/10W	
L103	1-410-521-11	INDUCTOR 100uH		R134	1-216-833-11	METAL CHIP 10K 5% 1/10W	
		< LIQUID CRYSTAL DISPLAY >		R135	1-216-833-11	METAL CHIP 10K 5% 1/10W	
LCD101	1-804-671-11	DISPLAY PANEL, LIQUID CRYSTAL		R136	1-216-857-11	METAL CHIP 1M 5% 1/10W	
		< TRANSISTOR >		R137	1-216-829-11	METAL CHIP 4.7K 5% 1/10W	
Q101	8-729-046-89	TRANSISTOR 2SB970-S (TX).S0		R138	1-216-797-11	METAL CHIP 10 5% 1/10W	
Q102	8-729-029-15	TRANSISTOR DTC144TUA-T106		R139	1-216-833-11	METAL CHIP 10K 5% 1/10W	
Q103	8-729-029-14	TRANSISTOR DTC144EUA-T106		R140	1-216-845-11	METAL CHIP 100K 5% 1/10W	
Q104	8-729-905-35	TRANSISTOR 2SC4081-R		R141	1-216-829-11	METAL CHIP 4.7K 5% 1/10W	(M770S/M770SL)
Q105	8-729-054-77	TRANSISTOR 2SC4098-T106-PQ		R142	1-216-833-11	METAL CHIP 10K 5% 1/10W	
Q106	8-729-905-35	TRANSISTOR 2SC4081-R		R143	1-216-825-11	METAL CHIP 2.2K 5% 1/10W	
Q107	8-729-905-35	TRANSISTOR 2SC4081-R		R144	1-216-833-11	METAL CHIP 10K 5% 1/10W	
Q108	8-729-029-15	TRANSISTOR DTC144TUA-T106		R147	1-216-833-11	METAL CHIP 10K 5% 1/10W	
Q109	8-729-026-52	TRANSISTOR 2SA1576A-T106-R		R148	1-216-819-11	METAL CHIP 680 5% 1/10W	
Q110	8-729-905-35	TRANSISTOR 2SC4081-R		R149	1-216-819-11	METAL CHIP 680 5% 1/10W	
Q111	8-729-905-35	TRANSISTOR 2SC4081-R		R150	1-216-841-11	METAL CHIP 47K 5% 1/10W	
		< RESISTOR >		R151	1-216-817-11	METAL CHIP 470 5% 1/10W	
R101	1-216-845-11	METAL CHIP 100K 5% 1/10W		R152	1-216-841-11	METAL CHIP 47K 5% 1/10W	
R102	1-216-821-11	METAL CHIP 1K 5% 1/10W		R153	1-216-801-11	METAL CHIP 22 5% 1/10W	
R103	1-216-821-11	METAL CHIP 1K 5% 1/10W		R154	1-216-819-11	METAL CHIP 680 5% 1/10W	
R104	1-216-829-11	METAL CHIP 4.7K 5% 1/10W		R155	1-216-819-11	METAL CHIP 680 5% 1/10W	
R105	1-216-821-11	METAL CHIP 1K 5% 1/10W		R156	1-216-821-11	METAL CHIP 1K 5% 1/10W	
R106	1-216-857-11	METAL CHIP 1M 5% 1/10W		R157	1-216-845-11	METAL CHIP 100K 5% 1/10W	
R107	1-216-857-11	METAL CHIP 1M 5% 1/10W		R158	1-216-845-11	METAL CHIP 100K 5% 1/10W	
R108	1-216-805-11	METAL CHIP 47 5% 1/10W		R159	1-216-841-11	METAL CHIP 47K 5% 1/10W	
R109	1-216-841-11	METAL CHIP 47K 5% 1/10W		R160	1-216-809-11	METAL CHIP 100 5% 1/10W	
R110	1-216-845-11	METAL CHIP 100K 5% 1/10W		R161	1-216-833-11	METAL CHIP 10K 5% 1/10W	
				R162	1-216-833-11	METAL CHIP 10K 5% 1/10W	
				R163	1-216-833-11	METAL CHIP 10K 5% 1/10W	
				R164	1-216-833-11	METAL CHIP 10K 5% 1/10W	

ICF-M770L/M770S/M770SL

KEY	MAIN
------------	-------------

Ref. No.	Part No.	Description	Remark
R165	1-216-833-11	METAL CHIP 10K 5%	1/10W
R166	1-216-833-11	METAL CHIP 10K 5%	1/10W
R167	1-216-833-11	METAL CHIP 10K 5%	1/10W
R168	1-216-833-11	METAL CHIP 10K 5%	1/10W
R169	1-216-833-11	METAL CHIP 10K 5%	1/10W
R170	1-216-833-11	METAL CHIP 10K 5%	1/10W
R171	1-216-833-11	METAL CHIP 10K 5%	1/10W
R172	1-216-833-11	METAL CHIP 10K 5%	1/10W
R173	1-216-833-11	METAL CHIP 10K 5%	1/10W
R174	1-216-833-11	METAL CHIP 10K 5%	1/10W
R175	1-216-833-11	METAL CHIP 10K 5%	1/10W
R176	1-216-833-11	METAL CHIP 10K 5%	1/10W
R177	1-216-833-11	METAL CHIP 10K 5%	1/10W
R178	1-216-821-11	METAL CHIP 1K 5%	1/10W
R179	1-216-821-11	METAL CHIP 1K 5%	1/10W
R180	1-216-845-11	METAL CHIP 100K 5%	1/10W
R181	1-216-845-11	METAL CHIP 100K 5%	1/10W
R182	1-216-845-11	METAL CHIP 100K 5%	1/10W
R183	1-216-845-11	METAL CHIP 100K 5%	1/10W
R184	1-216-845-11	METAL CHIP 100K 5%	1/10W
R185	1-216-845-11	METAL CHIP 100K 5%	1/10W
R186	1-216-845-11	METAL CHIP 100K 5%	1/10W
R187	1-216-845-11	METAL CHIP 100K 5%	1/10W
R188	1-216-845-11	METAL CHIP 100K 5%	1/10W
R189	1-216-845-11	METAL CHIP 100K 5%	1/10W
R190	1-216-845-11	METAL CHIP 100K 5%	1/10W
R191	1-216-845-11	METAL CHIP 100K 5%	1/10W
R192	1-216-845-11	METAL CHIP 100K 5%	1/10W
R193	1-216-845-11	METAL CHIP 100K 5%	1/10W
R194	1-216-845-11	METAL CHIP 100K 5%	1/10W
R195	1-216-845-11	METAL CHIP 100K 5%	1/10W
R196	1-216-845-11	METAL CHIP 100K 5%	1/10W
R197	1-216-821-11	METAL CHIP 1K 5%	1/10W
R198	1-216-821-11	METAL CHIP 1K 5%	1/10W
R199	1-216-821-11	METAL CHIP 1K 5%	1/10W
< SWITCH >			
S101	1-554-088-00	SWITCH, KEY BOARD (BAND)	
S102	1-554-088-00	SWITCH, KEY BOARD (1)	
S103	1-554-088-00	SWITCH, KEY BOARD (2)	
S104	1-554-088-00	SWITCH, KEY BOARD (3)	
S105	1-554-088-00	SWITCH, KEY BOARD (4)	
S106	1-554-088-00	SWITCH, KEY BOARD (5)	
S107	1-554-088-00	SWITCH, KEY BOARD (6)	
S108	1-554-088-00	SWITCH, KEY BOARD (7)	
S109	1-771-906-11	SWITCH, KEY BOARD (OPERATION)	
S110	1-771-906-11	SWITCH, KEY BOARD (SLEEP)	
S111	1-771-906-11	SWITCH, KEY BOARD (CLOCK) (M770L)	
S111	1-771-906-11	SWITCH, KEY BOARD (mb/CLOCK) (M770S/M770SL)	
S112	1-771-906-11	SWITCH, KEY BOARD (SCAN)	
S113	1-771-906-11	SWITCH, KEY BOARD (STANDBY ON/OFF)	
S114	1-771-906-11	SWITCH, KEY BOARD (LIGHT)	
S115	1-771-906-11	SWITCH, KEY BOARD (STANDBY TIME SET)	
S116	1-786-267-21	SWITCH, TACT (TUNE/TIME SET ^)	
S117	1-786-267-21	SWITCH, TACT (TUNE/TIME SET ≈)	
S118	1-786-267-21	SWITCH, TACT (TUNE/TIME SET ^)	
S119	1-786-267-21	SWITCH, TACT (TUNE/TIME SET v)	

Ref. No.	Part No.	Description	Remark
S120	1-571-850-91	SWITCH, SLIDE (HOLD)	
< TRANSFORMER >			
T101	1-449-138-91	TRANSFORMER, DC/DC CONVERTER	
< VIBRATOR >			
X101	1-767-517-11	VIBRATOR, CRYSTAL (75kHz)	

*	A-3021-848-A	MAIN BOARD, COMPLETE (M770SL)	
*	A-3021-854-A	MAIN BOARD, COMPLETE (M770S)	
*	A-3021-876-A	MAIN BOARD, COMPLETE (M770L)	

3-237-058-01		HOLDER (FERRITE-ROD ANTENNA)	
< BAND PASS FILTER >			
BPF1	1-236-022-11	FILTER, BAND PASS	
< CAPACITOR >			
C1	1-162-970-11	CERAMIC CHIP 0.01uF 10% 25V	
C2	1-162-923-11	CERAMIC CHIP 47PF 5% 50V (M770L)	
C3	1-115-416-11	CERAMIC CHIP 0.001uF 5% 25V (M770S/M770SL)	
C4	1-162-910-11	CERAMIC CHIP 5PF 0.25PF 50V (M770S/M770SL)	
C5	1-162-970-11	CERAMIC CHIP 0.01uF 10% 25V (M770S/M770SL)	
C6	1-162-910-11	CERAMIC CHIP 5PF 0.25PF 50V (M770S/M770SL)	
C7	1-162-970-11	CERAMIC CHIP 0.01uF 10% 25V	
C8	1-126-382-11	ELECT 100uF 20% 10V (M770S/M770SL)	
C10	1-162-917-11	CERAMIC CHIP 15PF 5% 50V (M770S/M770SL)	
C11	1-162-927-11	CERAMIC CHIP 100PF 5% 50V (M770L/M770SL)	
C12	1-162-923-11	CERAMIC CHIP 47PF 5% 50V (M770S/M770SL)	
C13	1-164-315-11	CERAMIC CHIP 470PF 5% 50V (M770L)	
C14	1-162-925-11	CERAMIC CHIP 68PF 5% 50V (M770L)	
C15	1-162-969-11	CERAMIC CHIP 0.0068uF 10% 25V (M770S/M770SL)	
C15	1-164-392-11	CERAMIC CHIP 390PF 5% 50V (M770L)	
C16	1-162-910-11	CERAMIC CHIP 5PF 0.25PF 50V (M770S/M770SL)	
C16	1-162-917-11	CERAMIC CHIP 15PF 5% 50V (M770L)	
C17	1-162-959-11	CERAMIC CHIP 330PF 5% 50V (M770L)	
C18	1-162-970-11	CERAMIC CHIP 0.01uF 10% 25V	
C19	1-162-917-11	CERAMIC CHIP 15PF 5% 50V (M770S)	
C19	1-162-959-11	CERAMIC CHIP 330PF 5% 50V (M770SL)	
C20	1-164-227-11	CERAMIC CHIP 0.022uF 10% 25V	

Ref. No.	Part No.	Description	Remark	Ref. No.	Part No.	Description	Remark
C21	1-162-927-11	CERAMIC CHIP	100PF 5% 50V (M770SL)			< TRIMMER >	
C21	1-164-392-11	CERAMIC CHIP	390PF 5% 50V (M770S)	CT1	1-141-601-11	CAP, ADJ 10PF	
C22	1-162-925-11	CERAMIC CHIP	68PF 5% 50V (M770S)	CT2	1-141-622-11	CAP, ADJ 50PF (M770L/M770SL)	
				CT2	1-141-601-11	CAP, ADJ 10PF (M770S)	
				CT3	1-141-622-11	CAP, ADJ 50PF (M770L)	
				CT4	1-141-601-11	CAP, ADJ 10PF	
C22	1-162-959-11	CERAMIC CHIP	330PF 5% 50V (M770SL)			< DIODE >	
C23	1-162-921-11	CERAMIC CHIP	33PF 5% 50V (M770L)	D1	8-719-072-59	DIODE SVC347S-TL	
C24	1-115-416-11	CERAMIC CHIP	0.001uF 5% 25V	D2	8-719-072-59	DIODE SVC347S-TL	
C25	1-162-910-11	CERAMIC CHIP	5PF 0.25PF 50V	D5	8-719-062-51	DIODE 1PS226-115	
C27	1-115-416-11	CERAMIC CHIP	0.001uF 5% 25V	D6	8-719-084-67	DIODE HVU202ATRU	
				D7	8-719-084-67	DIODE HVU202ATRU	
C28	1-162-915-11	CERAMIC CHIP	10PF 0.5PF 50V				
C29	1-162-907-11	CERAMIC CHIP	2PF 0.25PF 50V	D8	8-719-044-76	DIODE 1SS356-TW11 (M770S/M770SL)	
C30	1-162-970-11	CERAMIC CHIP	0.01uF 10% 25V	D9	8-719-941-86	DIODE DAN202U	
C32	1-115-467-11	CERAMIC CHIP	0.22uF 10% 10V			< IC >	
C33	1-126-514-11	ELECT	22uF 20% 10V				
C34	1-162-970-11	CERAMIC CHIP	0.01uF 10% 25V	IC1	8-752-037-02	IC CXA1019S	
C35	1-126-163-11	ELECT	4.7uF 20% 50V			< RESISTOR >	
C36	1-164-156-11	CERAMIC CHIP	0.1uF 25V				
C37	1-162-927-11	CERAMIC CHIP	100PF 5% 50V	JC1	1-216-864-11	SHORT CHIP 0 (M770S/M770SL)	
C38	1-162-970-11	CERAMIC CHIP	0.01uF 10% 25V	JC2	1-216-864-11	SHORT CHIP 0 (M770L)	
				JC3	1-216-864-11	SHORT CHIP 0 (M770S/M770SL)	
C40	1-162-970-11	CERAMIC CHIP	0.01uF 10% 25V	JC4	1-216-864-11	SHORT CHIP 0 (M770L)	
C41	1-126-963-11	ELECT	4.7uF 20% 50V	JC5	1-216-864-11	SHORT CHIP 0 (M770L)	
C42	1-126-963-11	ELECT	4.7uF 20% 50V				
C43	1-164-227-11	CERAMIC CHIP	0.022uF 10% 25V	JC6	1-216-864-11	SHORT CHIP 0 (M770L)	
C44	1-162-970-11	CERAMIC CHIP	0.01uF 10% 25V	JC7	1-216-864-11	SHORT CHIP 0	
C45	1-115-467-11	CERAMIC CHIP	0.22uF 10% 10V	JC8	1-216-864-11	SHORT CHIP 0 (M770S/M770SL)	
C46	1-162-970-11	CERAMIC CHIP	0.01uF 10% 25V	JC10	1-216-864-11	SHORT CHIP 0 (M770S/M770SL)	
C47	1-165-176-11	CERAMIC CHIP	0.047uF 10% 16V	JC11	1-216-864-11	SHORT CHIP 0	
C48	1-128-551-11	ELECT	22uF 20% 25V				
C50	1-162-970-11	CERAMIC CHIP	0.01uF 10% 25V	JC13	1-216-864-11	SHORT CHIP 0	
				JC14	1-216-864-11	SHORT CHIP 0 (M770S/M770SL)	
C51	1-126-935-11	ELECT	470uF 20% 16V	JC15	1-216-864-11	SHORT CHIP 0	
C52	1-164-505-11	CERAMIC CHIP	2.2uF 16V			< COIL >	
C54	1-126-926-11	ELECT	1000uF 20% 10V				
C55	1-164-227-11	CERAMIC CHIP	0.022uF 10% 25V	L1	1-410-509-11	INDUCTOR 10uH (M770S/M770SL)	
C56	1-162-923-11	CERAMIC CHIP	47PF 5% 50V	L2	1-410-513-11	INDUCTOR 22uH (M770S/M770SL)	
				L3	1-409-513-31	COIL (OSC) (M770S/M770SL)	
C57	1-162-970-11	CERAMIC CHIP	0.01uF 10% 25V	L5	1-428-955-11	COIL, FERRITE-ROD ANTENNA (MW) (M770S)	
C58	1-162-927-11	CERAMIC CHIP	100PF 5% 50V	L5	1-428-956-11	COIL, FERRITE-ROD ANTENNA (M770L)	
C59	1-162-915-11	CERAMIC CHIP	10PF 0.5PF 50V (M770SL)				
C61	1-162-970-11	CERAMIC CHIP	0.01uF 10% 25V	L5	1-501-954-21	ANTENNA, FERRITE-ROD (LW) (M770SL)	
C62	1-126-176-11	ELECT	220uF 20% 10V	L6	1-410-294-31	INDUCTOR 38uH	
				L7	1-410-517-11	INDUCTOR 47uH (M770S/M770SL)	
C63	1-162-927-11	CERAMIC CHIP	100PF 5% 50V	L8	1-406-485-11	COIL (OSC) (M770L)	
C64	1-162-927-11	CERAMIC CHIP	100PF 5% 50V	L8	1-409-513-31	COIL (OSC) (M770S/M770SL)	
C65	1-162-927-11	CERAMIC CHIP	100PF 5% 50V				
C66	1-164-227-11	CERAMIC CHIP	0.022uF 10% 25V	L9	1-410-525-11	INDUCTOR 220uH	
C67	1-164-227-11	CERAMIC CHIP	0.022uF 10% 25V	L10	1-406-485-11	COIL (OSC) (M770S/M770SL)	
				L11	1-410-517-11	INDUCTOR 47uH (M770S/M770SL)	
C73	1-162-907-11	CERAMIC CHIP	2PF 0.25PF 50V (M770L)	L12	1-422-131-00	COIL, FM OSCILLATION	
				L13	1-428-290-11	COIL, AIR-CORE	
		< CERAMIC FILTER >		L14	1-456-020-11	COIL, AIR-CORE	
CF1	1-578-677-21	FILTER, CRYSTAL (450kHz) (M770L)		L15	1-410-525-11	INDUCTOR 220uH (M770S/M770SL)	
CF1	1-795-323-11	FILTER, CERAMIC (450kHz) (M770S/M770SL)		L16	1-410-521-11	INDUCTOR 100uH (M770S/M770SL)	
CF2	1-567-390-11	FILTER, CERAMIC (10.7MHz)				< TRANSISTOR >	
CF3	1-567-390-11	FILTER, CERAMIC (10.7MHz)					
CF4	1-567-050-00	FILTER, CERAMIC (10.7MHz)		Q1	8-729-123-86	FET 2SK238-K16 (M770S/M770SL)	

ICF-M770L/M770S/M770SL

Ver 1.1

MAIN	POWER
------	-------

Ref. No.	Part No.	Description	Remark
Q2	8-729-028-92	TRANSISTOR	DTA144TUA-T106 (M770S/M770SL)
Q3	8-729-029-15	TRANSISTOR	DTC144TUA-T106 (M770S/M770SL)
Q4	8-729-054-77	TRANSISTOR	2SC4098-T106-PQ (M770L)
Q4	8-729-034-58	TRANSISTOR	2SC4555-6.7-TL (M770S/M770SL)
Q5	8-729-029-15	TRANSISTOR	DTC144TUA-T106 (M770S/M770SL)
Q6	8-729-905-35	TRANSISTOR	2SC4081-R (M770L)
Q7	8-729-026-52	TRANSISTOR	2SA1576A-T106-R (M770S/M770SL)
Q8	8-729-054-77	TRANSISTOR	2SC4098-T106-PQ
Q9	8-729-026-52	TRANSISTOR	2SA1576A-T106-R
Q10	8-729-029-15	TRANSISTOR	DTC144TUA-T106
Q11	8-729-905-35	TRANSISTOR	2SC4081-R
Q12	8-729-905-35	TRANSISTOR	2SC4081-R
< RESISTOR >			
R1	1-216-829-11	METAL CHIP	4.7K 5% 1/10W (M770S/M770SL)
R2	1-216-809-11	METAL CHIP	100 5% 1/10W (M770S/M770SL)
R3	1-216-829-11	METAL CHIP	4.7K 5% 1/10W (M770S/M770SL)
R5	1-216-821-11	METAL CHIP	1K 5% 1/10W (M770S/M770SL)
R6	1-216-829-11	METAL CHIP	4.7K 5% 1/10W (M770L)
R7	1-216-825-11	METAL CHIP	2.2K 5% 1/10W (M770S/M770SL)
R8	1-216-833-11	METAL CHIP	10K 5% 1/10W
R9	1-216-845-11	METAL CHIP	100K 5% 1/10W (M770S/M770SL)
R10	1-216-821-11	METAL CHIP	1K 5% 1/10W (M770S/M770SL)
R11	1-216-857-11	METAL CHIP	1M 5% 1/10W
R12	1-216-827-11	METAL CHIP	3.3K 5% 1/10W (M770L)
R12	1-216-833-11	METAL CHIP	10K 5% 1/10W (M770S/M770SL)
R13	1-216-857-11	METAL CHIP	1M 5% 1/10W
R14	1-216-857-11	METAL CHIP	1M 5% 1/10W (M770S/M770SL)
R15	1-216-833-11	METAL CHIP	10K 5% 1/10W
R16	1-216-837-11	METAL CHIP	22K 5% 1/10W (M770S/M770SL)
R17	1-216-845-11	METAL CHIP	100K 5% 1/10W
R18	1-216-845-11	METAL CHIP	100K 5% 1/10W
R19	1-216-827-11	METAL CHIP	3.3K 5% 1/10W
R20	1-216-821-11	METAL CHIP	1K 5% 1/10W
R21	1-216-837-11	METAL CHIP	22K 5% 1/10W
R22	1-216-815-11	METAL CHIP	330 5% 1/10W
R23	1-216-821-11	METAL CHIP	1K 5% 1/10W
R24	1-216-829-11	METAL CHIP	4.7K 5% 1/10W
R25	1-216-841-11	METAL CHIP	47K 5% 1/10W
R27	1-216-805-11	METAL CHIP	47 5% 1/10W
R28	1-216-825-11	METAL CHIP	2.2K 5% 1/10W
R29	1-216-815-11	METAL CHIP	330 5% 1/10W
R30	1-216-821-11	METAL CHIP	1K 5% 1/10W
R31	1-216-809-11	METAL CHIP	100 5% 1/10W

Ref. No.	Part No.	Description	Remark
R32	1-216-829-11	METAL CHIP	4.7K 5% 1/10W
R33	1-216-841-11	METAL CHIP	47K 5% 1/10W
R34	1-216-817-11	METAL CHIP	470 5% 1/10W (M770S/M770SL)
< VARIABLE RESISTOR >			
RV1	1-225-498-11	RES, VAR, CARBON 50K (VOL)	
RV2	1-225-499-11	RES, VAR, CARBON 10K (TONE)	
< TRANSFORMER >			
T1	1-404-902-51	TRANSFORMER, IF (M770L)	
T1	1-435-886-21	TRANSFORMER, IF (M770S/M770SL)	

*	1-684-569-11	POWER BOARD	*****
< TRANSFORMER >			
△ T202	1-435-614-11	TRANSFORMER, POWER	*****
MISCELLANEOUS			

ANT1	1-501-321-51	ANTENNA, TELESCOPIC	
SP1	1-825-130-11	SPEAKER (12cm)	

ACCESSORIES			

△	1-751-115-11	CORD, POWER (M770L: UK)	
△	1-696-562-11	CORD, POWER (M770L: AEP/M770S/M770SL)	
	3-238-575-11	MANUAL, INSTRUCTION (ENGLISH, FRENCH, SPANISH, GERMAN, DUTCH)	
	3-238-575-21	MANUAL, INSTRUCTION (SWEDISH, ITALIAN, PORTUGUESE, FINNISH)	
		(AEP, Italian)	
	3-238-575-31	MANUAL, INSTRUCTION (POLISH)	
		(East European)	

The components identified by mark △ or dotted line with mark △ are critical for safety. Replace only with part number specified.

MEMO

