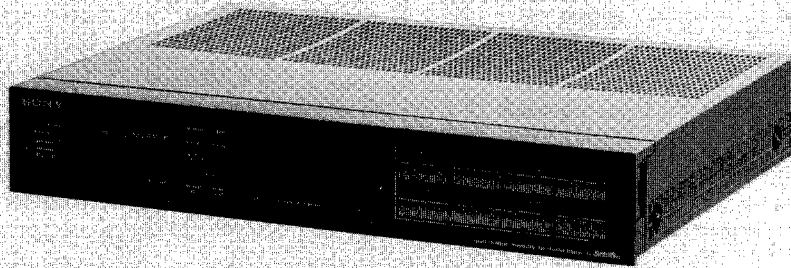


ST-S555ES

*US Model
Canadian Model
AEP Model*



FM STEREO TUNER


SPECIFICATIONS

| | |
|--------------------|---|
| General | |
| System | PLL quartz-locked digital synthesizer system |
| Power requirements | AEP model: 220 V ac (or 240 V ac adjustable by authorized Sony personnel), 50/60 Hz US, Canadian model: 120 V ac, 60 Hz |
| Power consumption | AEP model: 25 watts US, Canadian model: 23 watts |
| Dimensions | Approx. 430 x 80 x 340 mm (w/h/d) (17 x 3¼ x 13½ inches) including projecting parts and controls |
| Weight | AEP model: Approx. 4.9 kg (10 lbs 13 oz) net Approx. 5.9 kg (13 lbs 1 oz) in shipping carton US, Canadian model: Approx. 4.8 kg (10 lbs 10 oz) net Approx. 5.8 kg (12 lbs 13 oz) in shipping carton |


0 dB = 0.775 V

— Continued on page 2 —

ATTENTION AU COMPOSANT AYANT RAPPORT
À LA SÉCURITÉ!

LES COMPOSANTS IDENTIFIÉS PAR UNE TRAME ET UNE MARQUE  SUR LES DIAGRAMMES SCHEMATIQUES ET LA LISTE DES PIÈCES SONT CRITIQUES POUR LA SÉCURITÉ DE FONCTIONNEMENT. NE REMPLACER CES COMPOSANTS QUE PAR DES PIÈCES SONY DONT LES NUMÉROS SONT DONNÉS DANS CE MANUEL OU DANS LES SUPPLÉMENTS PUBLIÉS PAR SONY.

SAFETY-RELATED COMPONENT WARNING!!

COMPONENTS IDENTIFIED BY SHADING AND MARK  ON THE SCHEMATIC DIAGRAMS AND IN THE PARTS LIST ARE CRITICAL TO SAFE OPERATION. REPLACE THESE COMPONENTS WITH SONY PARTS WHOSE PART NUMBERS APPEAR AS SHOWN IN THIS MANUAL OR IN SUPPLEMENTS PUBLISHED BY SONY.



SONY

SERVICE MANUAL

ST-S555ES

FM tuner section

Tuning range 87.5 MHz - 108 MHz
 Antenna terminals two, 75 ohms, unbalanced
 Intermediate frequency 10.7 MHz

| | at 40 kHz deviation | at 75 kHz deviation |
|-----------------------|--|--|
| Sensitivity | at 46 dB quieting 2 μ V (mono) 22.5 μ V (stereo) | at 50 dB quieting 16.8 dBf, 1.8 μ V (mono) 37.9 dBf, 22.5 μ V (stereo) |
| Usable sensitivity | 0.8 μ V (S/N = 26 dB) | 10.3 dBf, 0.9 μ V (IHF) |
| Signal-to-noise ratio | 86 dB (mono) 80 dB (stereo) | 92 dB (mono) 86 dB (stereo) |
| Harmonic distortion | IF BAND : WIDE 0.03% (mono), 0.05% (stereo) at 100 Hz 0.03% (mono), 0.04% (stereo) at 1 kHz 0.03% (mono), 0.12% (stereo) at 10 kHz IF BAND : NARROW 0.05% (mono), 0.07% (stereo) at 100 Hz 0.05% (mono), 0.06% (stereo) at 1 kHz 0.05% (mono), 0.15% (stereo) at 10 kHz | |
| IM distortion | IF BAND : WIDE 0.03% (mono), 0.04% (stereo) | |
| Separation | IF BAND : WIDE 55 dB at 100 Hz 60 dB at 1 kHz 45 dB at 10 kHz | |
| Frequency response | 40 Hz - 12.5 kHz ± 0.2 dB 30 Hz - 15 kHz ± 0.2 dB -0.5 dB | 30 Hz - 15 kHz ± 0.2 dB -0.5 dB |

| Selectivity | at 300 kHz | at 400 kHz |
|-------------------------|--|--|
| | 30 dB (IF BAND : WIDE) 57 dB (IF BAND : NARROW) | 60 dB (IF BAND : WIDE) 90 dB (IF BAND : NARROW) |
| Capture ratio | 1.0 dB | |
| AM suppression ratio | 65 dB | |
| Image response ratio | 120 dB | |
| IF response ratio | 100 dB | |
| Spurious response ratio | 120 dB | |
| RF intermodulation | 78 dB (IHF), 100 dB (2.4 MHz) | |

Sub-carrier product ratio

78 dB

Muting threshold Approx. 25 dBf, 5 μ V

Auto-tuning threshold

Approx. 25 dBf, 5 μ V

Output level/impedance (75 kHz deviation)

750 mV, 620 ohms, transformed by the supplied A.C.T. cable

Calibrating tone level

50% modulation (37.5 kHz deviation),
400 Hz

Antenna B attenuator 20 dB

SAFETY CHECK-OUT (US Model)

After correcting the original service problem, perform the following safety check before releasing the set to the customer:

Check the antenna terminals, metal trim, "metallized" knobs, screws, and all other exposed metal parts for AC leakage. Check leakage as described below.

LEAKAGE TEST

The AC leakage from any exposed metal part to earth ground and from all exposed metal parts to any exposed metal part having a return to chassis, must not exceed 0.5 mA (500 microampers). Leakage current can be measured by any one of three methods.

1. A commercial leakage tester, such as the Simpson 229 or RCA WT-540A. Follow the manufacturers' instructions to use these instruments.
2. A battery-operated AC milliammeter. The Data Precision 245 digital multimeter is suitable for this job.

3. Measuring the voltage drop across a resistor by means of a VOM or battery-operated AC voltmeter. The "limit" indication is 0.75 V, so analog meters must have an accurate low-voltage scale. The Simpson 250 and Sanwa SH-63Trd are examples of a passive VOM that is suitable. Nearly all battery operated digital multimeters that have a 2V AC range are suitable. (See Fig. A)

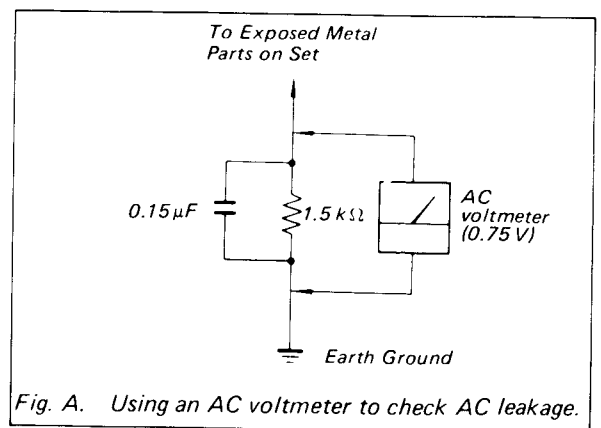
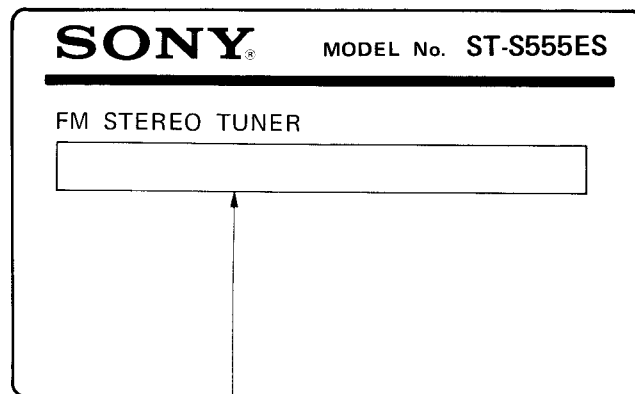


Fig. A. Using an AC voltmeter to check AC leakage.

MODEL IDENTIFICATION

— Specification Label on Jack Plate —



| | | | |
|-----------------|-----------|---------|-----|
| US model: | AC 120V | 60Hz | 23W |
| Canadian model: | AC 120V | 60Hz | 23W |
| AEP model: | AC 220V ~ | 50/60Hz | 25W |

FEATURE

PLL-CIRCUIT EMPLOYING DIRECT COMPARATOR TECHNOLOGY

The ST-S555ES with its refined Phase Locked Loop (PLL) circuit can tune to a frequency with extraordinary precision.

An IC developed by Sony allows the comparison frequency to be as high as the 50 kHz channel spacing frequency, thus eliminating the tendency of a low comparison frequency, which was formerly generally employed, to slip into the audio range and degrade the signal-to-noise ratio. The local oscillator output can therefore be directly supplied to the programmable divider section without an additional pre-scaler. We call this PLL-circuit technology the Direct Comparator method.

The result is almost rippleless local oscillation, greatly reduced spurious radiation, and an extremely high signal-to-noise ratio.

STATE OF THE ART

Every element of the ST-S555ES is chosen with an eye to optimum reception. Dual-gate MOS FETs in the RF amplifier, and five varactors in the front-end block insure high sensitivity and an excellent spurious response ratio. Four uni-phase filters in the IF amplifier provide high selectivity. The PLL multiplex decoder with a pilot canceler insures a flat frequency response, clear separation and very low distortion.

EFFORTLESS TUNING

Tuning is easy using the digital frequency readout in the frequency display window.

Three methods of tuning are available :

Automatic tuning, in which the entire FM band is scanned automatically until a signal is received.

Manual tuning, in which the FM band can be scanned either rapidly or step-by-step.

Memory preset tuning, in which the frequencies of up to eight stations can be stored in the non-volatile memory. In this mode, this information will be retained when the power is turned off so that you can tune in your favorite station with the push of a button. Various conditions can also be memorized for each individual station to permit one-touch reception. All the memorized settings are displayed in the FL display window.

The SCAN/READ button allows you to scan automatically the preset stations only, listening to each one for a few seconds to check if there is anything you would like to listen to.

TWO ANTENNA INPUTS

The tuner is provided with two antenna input terminals to permit two different antennas to be oriented in the best direction for the station to be received. Either antenna input can be easily chosen with the front panel antenna selector. The antenna attenuator switch can reduce the antenna B input by 20 dB to tune in the desired station more clearly, suppressing possible IM distortion caused by strong adjacent stations.

A.C.T. (AUDIO CURRENT TRANSFER) CIRCUIT

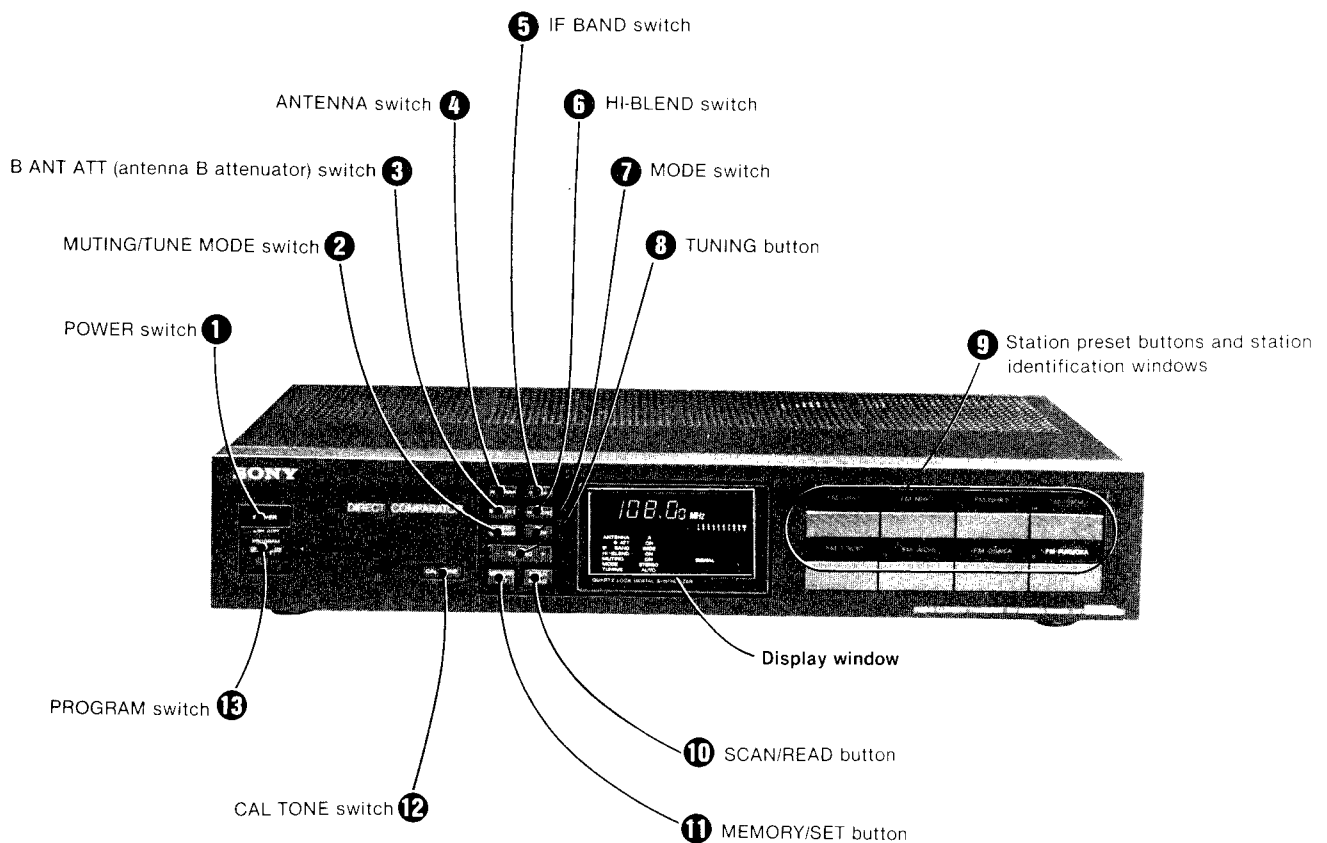
This tuner employs the A.C.T. technique developed for Sony integrated amplifiers. The A.C.T. circuit design virtually eliminates the problems which the conventional voltage transfer design had: electrical interference between the left and right channels, decreased sound quality, distortion, noise, etc. caused by the fact that both the signal source current and the power supply current flow through the same ground.

This technique insures the tuner's high-quality reception performance.

ST-S555ES

LOCATION OF CONTROLS

Each number in the photo is keyed to the descriptive text.



❶ POWER switch

Depress to turn on the power. To turn the power off, press the switch again.

❷ MUTING/TUNE MODE switch

This switch serves a dual purpose: it is a tuning system selector and a muting switch.

To tune in a station with the automatic tuning system, press this switch so that the TUNING AUTO indicator lights up. In this mode, the muting circuit will be activated to eliminate interstation noise while tuning and the MUTING ON indicator will light up.

When you want to tune in a very weak station with the manual tuning system, press the switch again so that the TUNING MANUAL indicator lights up. The muting circuit will be deactivated and the MUTING OFF indicator will light up. In this mode, keep the amplifier volume down to avoid speaker damage caused by interstation noise.

❸ B ANT ATT (antenna B attenuator) switch

When this switch is pressed and the B ATT ON indicator lights up, the input signals from the antenna B will be reduced by 20 dB. When the switch is pressed again and the B ATT OFF indicator lights up, the input signals will be received at their original strength.

❹ ANTENNA switch

When this switch is pressed and the ANTENNA A indicator lights up, the input signals from the antenna connected to the ANTENNA A terminal will be received by the tuner. When the switch is pressed again and the ANTENNA B indicator lights up, the input signals from the antenna connected to the ANTENNA B terminal will be received.

5 IF BAND switch

Normally keep this switch in the WIDE position (the IF BAND WIDE indicator lights up). Low-distortion, hi-fi sound can be obtained. When there is interference by adjacent stations, press the switch so that the IF BAND NARROW indicator lights up. The higher selectivity will improve the reception.

6 HI-BLEND switch

When FM stereo signals are weak and noisy, press this switch so that the HI-BLEND ON indicator lights up. This will provide better reception, although the stereo effect at high frequencies is slightly reduced. To disengage the switch, press it again. The HI-BLEND OFF indicator will light up.

7 MODE switch

Normally keep this switch in the STEREO position (the MODE STEREO indicator lights up). The tuner operates in the stereo mode for stereo sound sources and will be automatically switched to the mono mode for monaural sound sources. When an FM program is too noisy, press the switch so that the MODE MONO indicator lights up. This will enable the tuner to receive weak stations, although the stereo feature is sacrificed.

8 TUNING button

Press either side of this button to change the received frequency: press the left side [-] to go to a lower frequency and the right side [+] to go to a higher.

During automatic tuning: Press to start automatic frequency scanning. The frequencies below or above that shown on the display window will be scanned automatically until a signal is received. To resume scanning, press the button again.

During manual tuning: Press and keep the TUNING button depressed to change the frequency continuously until the figures in the frequency display window approach the desired frequency. The frequency figures will change rapidly. To change the frequency slowly (in 0.05 MHz steps) to tune in a station accurately, press the button and release immediately.

When the frequency figures reach the end of the tuning range, the frequency will then be scanned from the opposite end of the tuning range.

9 Station preset buttons and station identification windows

To call up a memorized station, press the appropriate button. Station labels (supplied) identifying memorized stations can be placed in the station identification windows above the buttons.

10 SCAN/READ button

This button has a dual purpose. With the PROGRAM switch set to OFF, it works as a memory SCAN button and with the PROGRAM switch set to ON, as a program READ button.

SCAN button: Press to automatically scan the stations memorized on the station preset buttons.

READ button: By pushing this button, the programmed station order can be checked.

11 MEMORY/SET button

This button has a dual purpose. With the PROGRAM switch set to OFF, it works as a MEMORY button and with the PROGRAM switch set to ON, as a program SET button.

MEMORY button: Press to memorize the tuned station to a station preset button. The MEMORY indicator will appear in the frequency display window for about 3 seconds indicating that the preset memory circuit is standing by.

SET button: Press to program the preset stations in the desired order. The MEMORY indicator will appear indicating that the program circuit is standing by.

12 CAL TONE switch

Normally keep this switch disengaged so that the CAL TONE indicator is not lit.

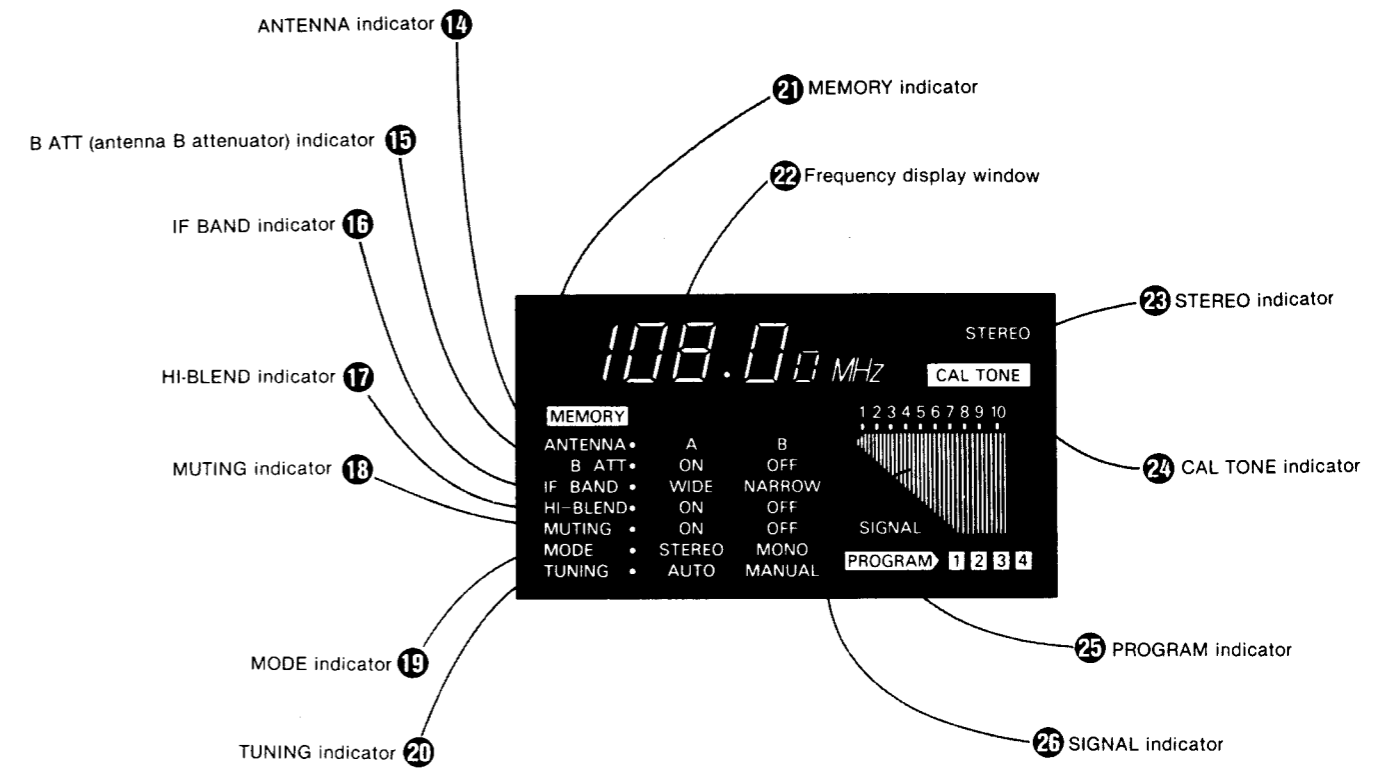
To obtain a 400 Hz, 50% modulated signal for adjusting the recording level on a tape recorder, press the switch. The CAL TONE indicator will light up.

Generally, on cassette decks, adjust the recording level so that the VU meters deflect as close as possible to -3 dB, or the peak meters to -4 dB, and on reel-to-reel tape decks the VU meters deflect as close as possible to 0 dB. However, depending on the broadcast programs or the tapes you use, some further adjustments may be necessary. You can determine the most appropriate recording level for your tape deck after several trials, using the suggested levels as a starting point.

To disengage the CAL TONE switch, press the CAL TONE switch again or press any of the tuner switches.

13 PROGRAM switch

To use the program function, set this switch to ON. For ordinary use, be sure to keep the switch in the OFF position.

DISPLAY WINDOW**14 ANTENNA indicator**

Indicates the setting of the ANTENNA switch.

15 B ATT (antenna B attenuator) indicator

Indicates the setting of the B ANT ATT switch.

16 IF BAND indicator

Indicates the setting of the IF BAND switch.

17 HI-BLEND indicator

Indicates the setting of the HI-BLEND switch.

18 MUTING indicator

Indicates the setting of the MUTING switch.

19 MODE indicator

Indicates the setting of the MODE switch.

20 TUNING indicator

The AUTO indicator shows the automatic tuning mode, and the MANUAL indicator, the manual tuning mode.

21 MEMORY indicator

When the MEMORY/SET button is pressed, "MEMORY" will appear for about 3 seconds indicating that the memory circuit is standing by.

22 Frequency display window

The frequency being received is displayed here in digits.

23 STEREO indicator

This indicator will light when an FM stereo program of sufficient signal strength is tuned in with the MODE switch set to STEREO.

24 CAL TONE indicator

Lights up to show that a 400 Hz calibrating tone signal is provided by the CAL TONE switch.

25 PROGRAM indicator

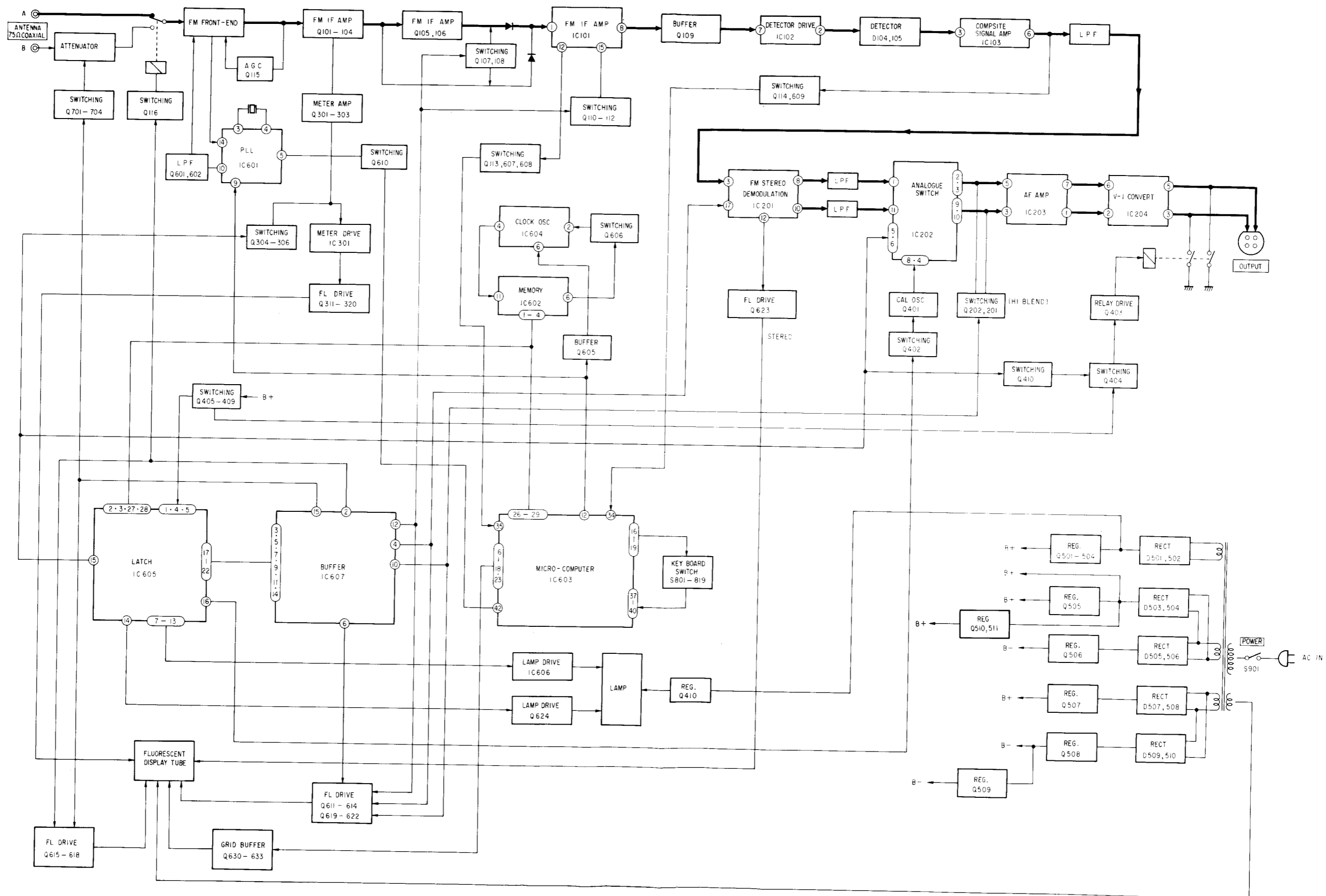
With the PROGRAM switch set to ON, the order in the programmed sequence of the station being received is displayed here.

26 SIGNAL indicator

Indicates the strength of the tuned signal by the amount of indicator illumination. The fullest illumination means the antenna input signal is strong. When the indicator illuminates only at the low end, it means the antenna input signal is weak. The lines tracing the upper and lower ends of the vertical bars indicate the signal-to-noise ratio curves.

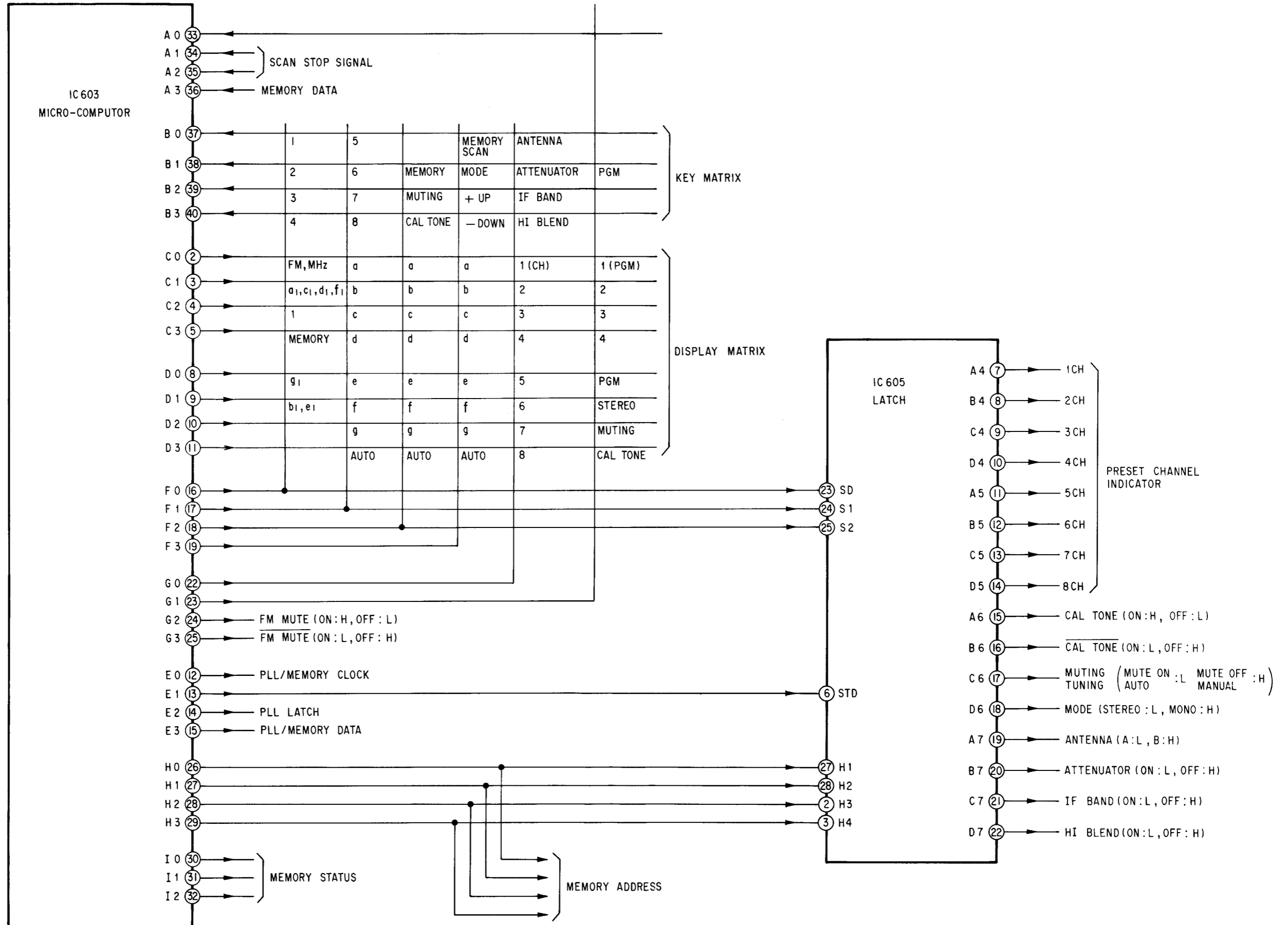
SECTION 1
OUTLINE

1-1. BLOCK DIAGRAM



ST-S555ES ST-S555ES

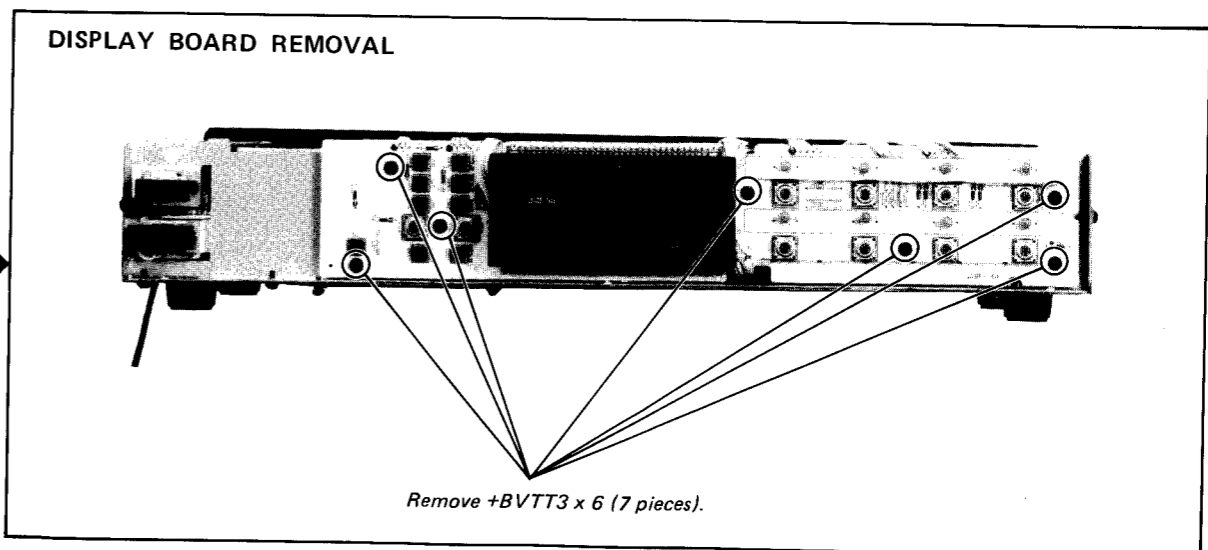
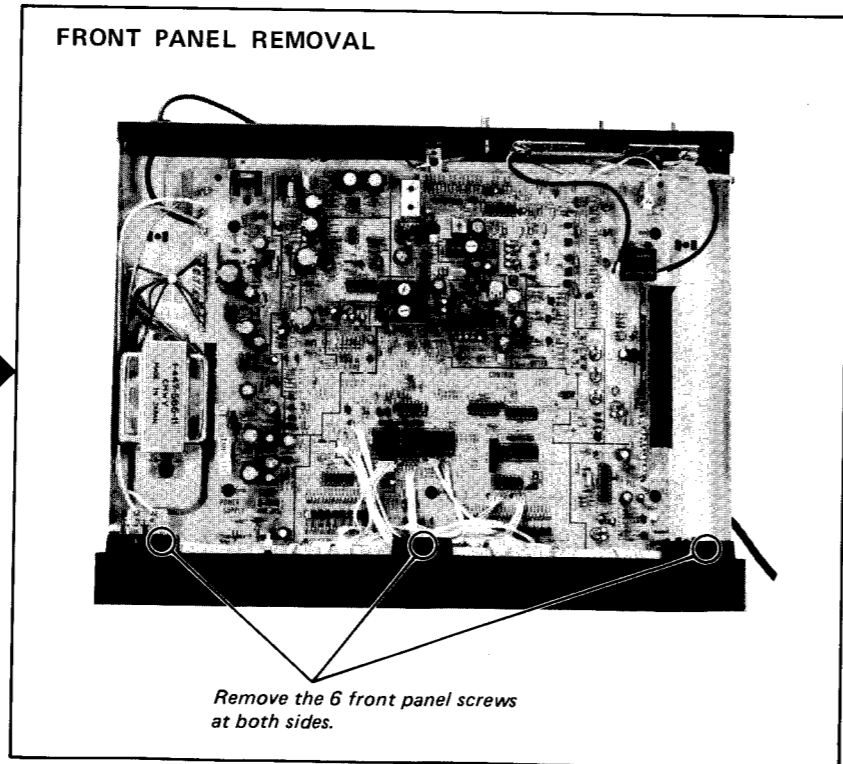
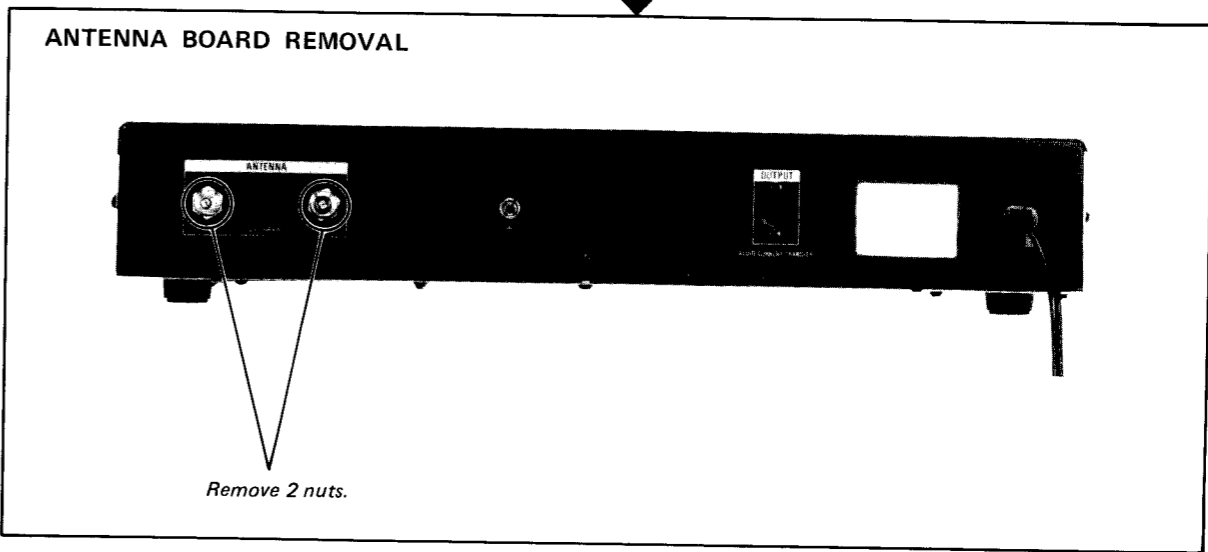
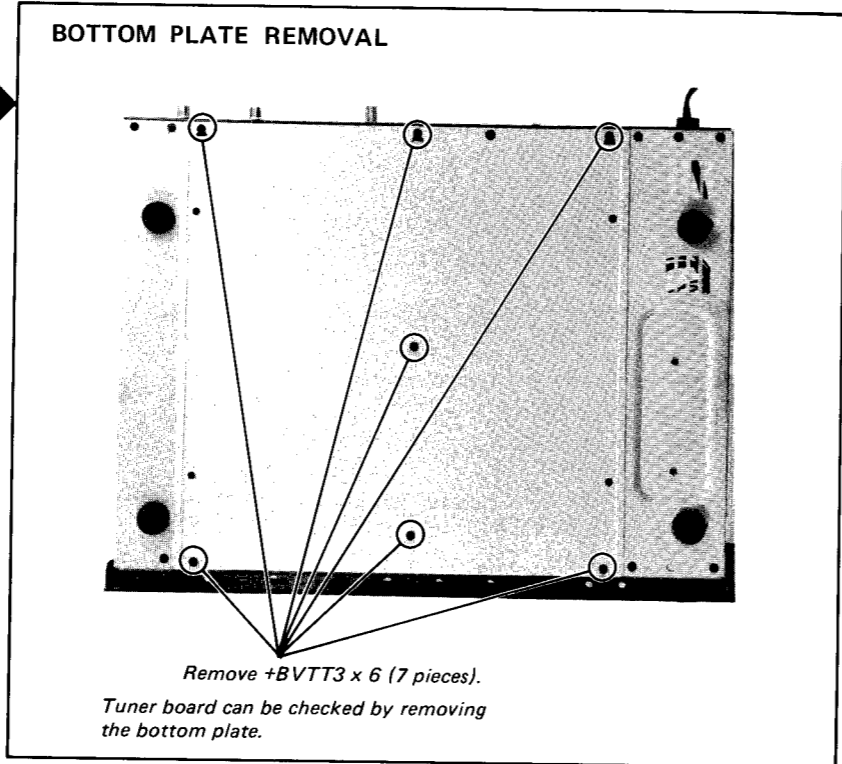
IC603's (SYSTEM CONTROLLER IC μ PD553C225) TERMINAL FUNCTIONS



SECTION 2
DISASSEMBLY

Note: Follow the disassembly procedure in the numerical order given.

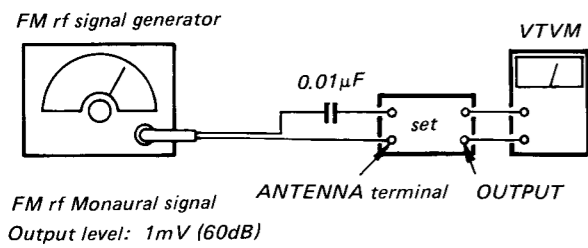
CASE REMOVAL
Remove 4 case
screws.



SECTION 3
ADJUSTMENTS

Output Level Adjustment

Setting:

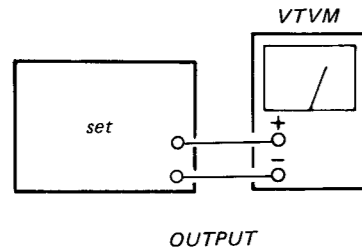


Procedure:

Adjust RT204 (L-CH) and RT254 (R-CH) for 0dB (0.775V) reading on VTVM.

CAL TONE Level Adjustment

Setting:



Procedure:

1. Press CAL TONE switch.
2. Adjust RT401 for -6dB (0.39V) reading on VTVM.

US, Canadian Model

| FM rf Stereo Signal | FM rf Monaural Signal |
|---|--|
| Carrier frequency: 98MHz Modulation: Audio 400Hz, 33.75kHz deviation (45%) Subchannel 33.75kHz deviation (45%) Pilot 19kHz 7.5kHz deviation (10%) | Carrier frequency: 98MHz Modulation: 400Hz, 75kHz deviation (100%) |

AEP Model

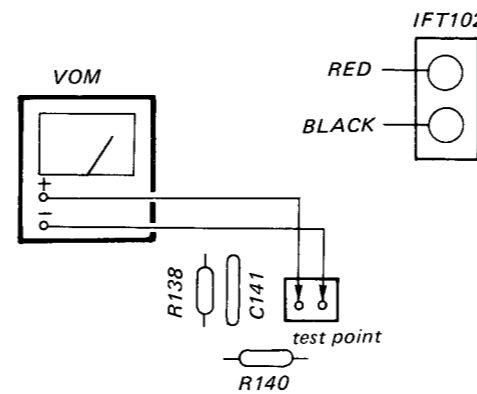
| FM rf Stereo Signal | FM rf Monaural Signal |
|--|---|
| Carrier frequency: 98MHz Modulation: Audio 400Hz 16.25kHz deviation (40%) Subchannel 16.25kHz deviation (40%) Pilot 19kHz 7.5kHz deviation (19%) | Carrier frequency: 98MHz Modulation: 400Hz, 40kHz deviation (100%) |

Discriminator Adjustment

A) Primary Side

• Procedure

1.

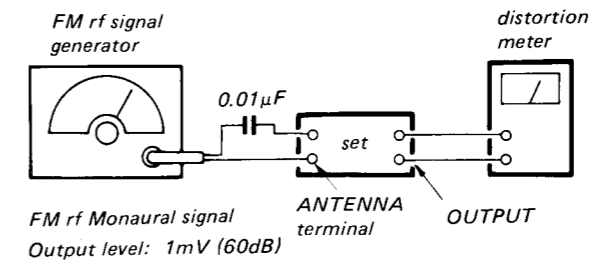


2. Detune the set by pushing the TUNING (+, -) button.
3. Turn the core (primary side: Black) of IFT102 for 0V reading on VOM.

Note: When the ceramic filter is replaced, these adjustments should be made.

B) Secondary Side

• Procedure



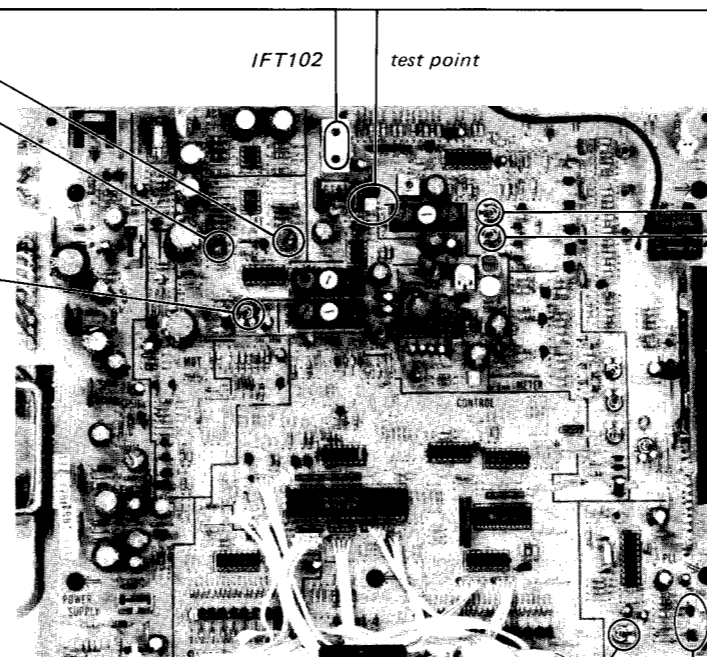
Turn the core (secondary side: Red) of IFT102 for minimum distortion reading on the distortion meter.

Note: Repeat both secondary and primary sides adjustments several times.

RT204

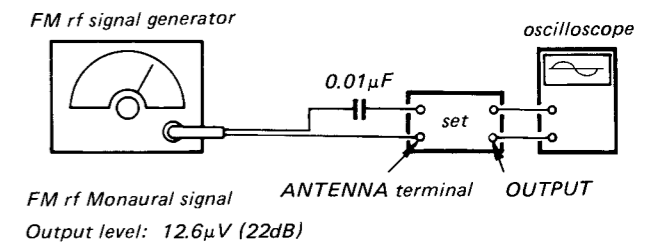
RT254

RT401



FM Muting Level Adjustment

Setting:

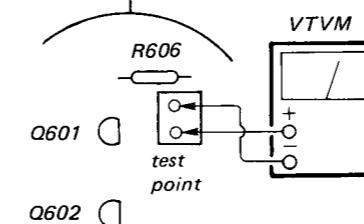


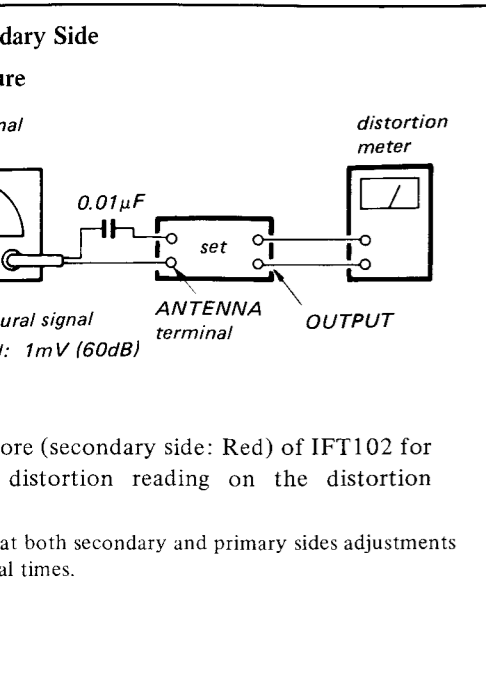
Procedure:

1. Indication: MUTING LOW
2. Tune the set to 98MHz by pressing the TUNING button (+, -) and adjust the output level of signal generator at 22dB (12.6µV).
3. Turn RT102 (WIDE) at the position where the waveform suddenly appears on the oscilloscope. Turn RT101 (NARROW) at the position where the waveform suddenly appears on the oscilloscope.

Gate Voltage Adjustment

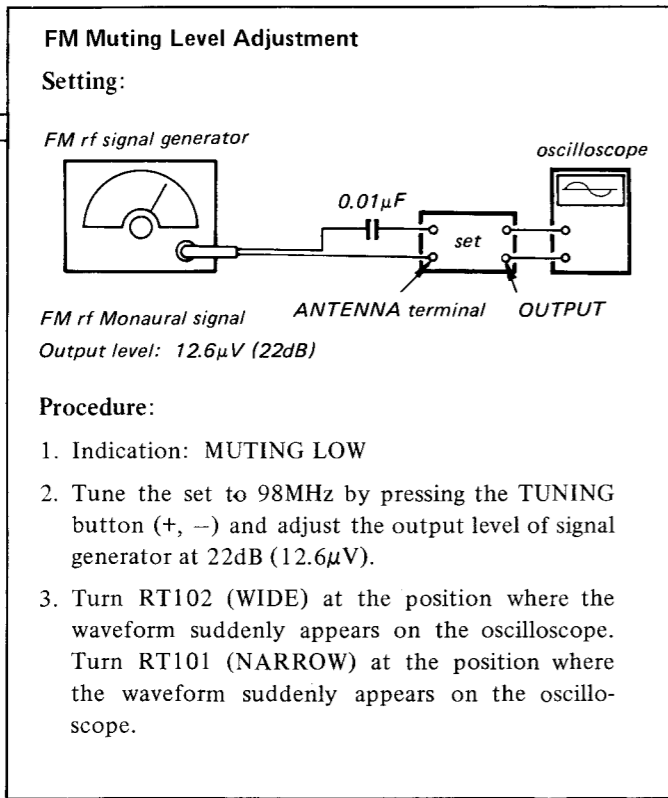
Adjust RT601 so that gate voltage of Q601 is 1.8V (±0.1V) with 87.5MHz signal tuned.





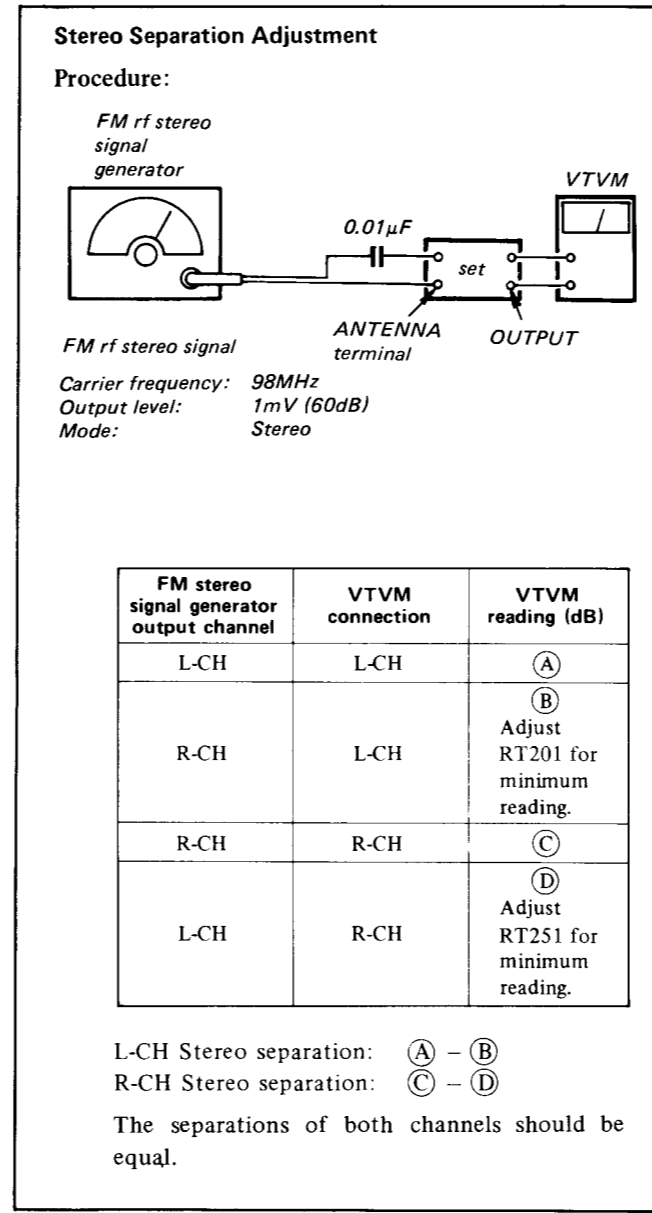
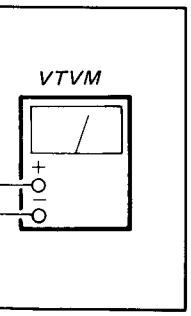
...ore (secondary side: Red) of IFT102 for distortion reading on the distortion

...at both secondary and primary sides adjustments



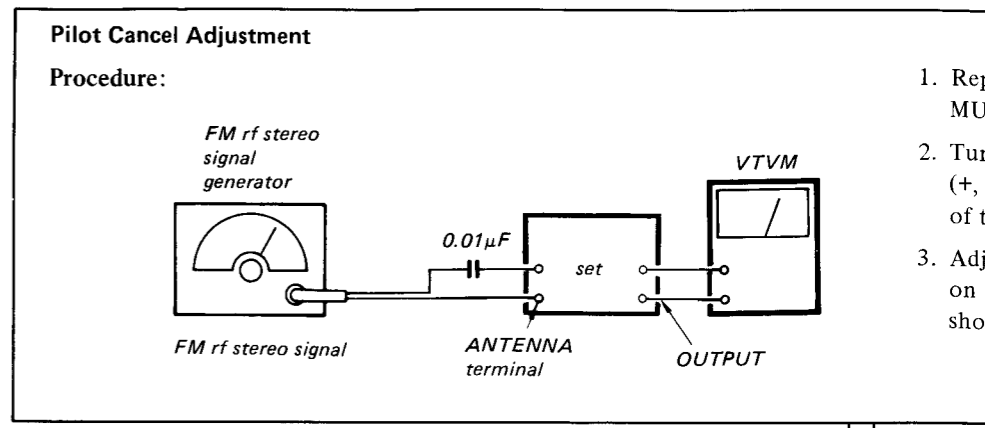
RT101

RT102

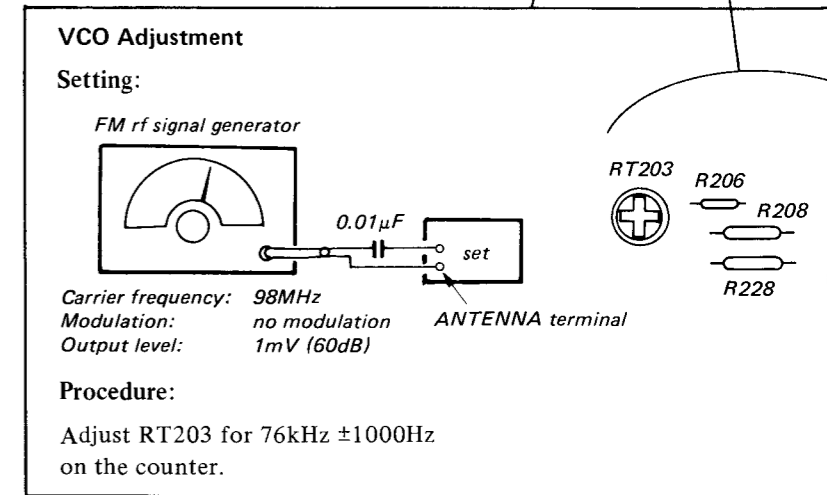
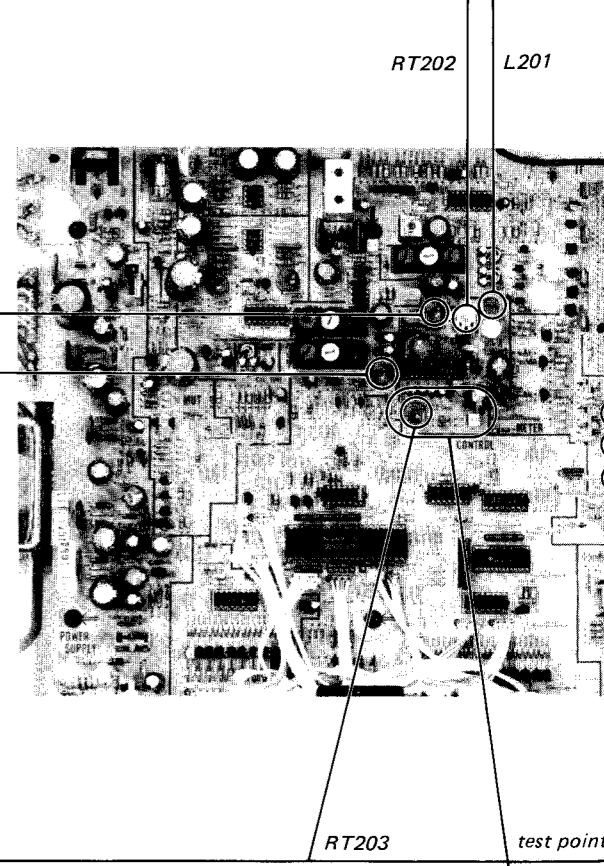


RT201

RT251



1. Repeat MUTING LOW
2. Turn (+, -) of the TUNING button
3. Adjust on the counter



Stereo Separation Adjustment

Frequency: 98MHz
Modulation: 1mV (60dB)
Stereo

| FM stereo signal generator output channel | VTVM connection | VTVM reading (dB) |
|---|-----------------|--|
| L-CH | L-CH | (A) |
| R-CH | L-CH | (B) Adjust RT201 for minimum reading. |
| R-CH | R-CH | (C) |
| L-CH | R-CH | (D) Adjust RT251 for minimum reading. |

Stereo separation: (A) - (B)
Stereo separation: (C) - (D)
Separations of both channels should be equal.

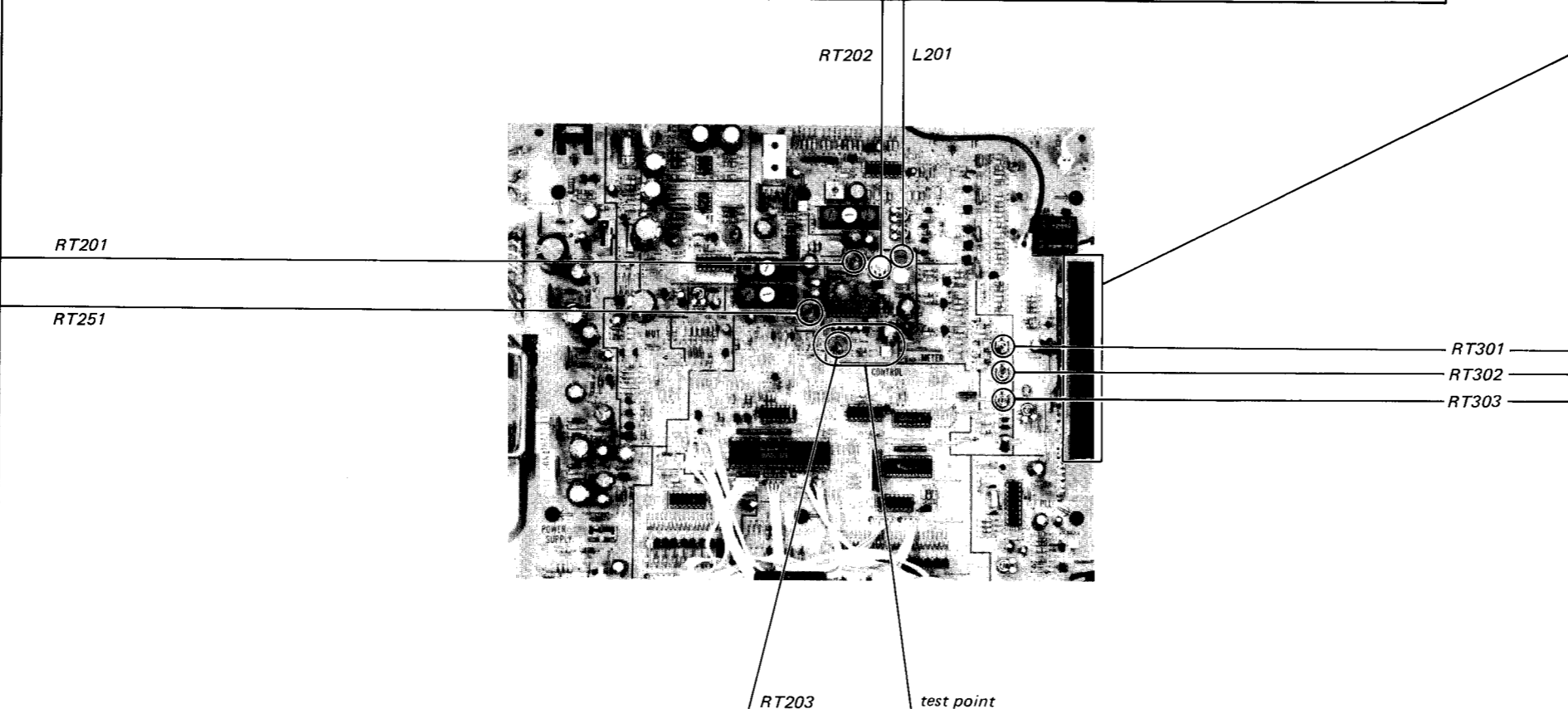
Pilot Cancel Adjustment

Procedure:

1. Repeat pressing the MUTING button until MUTING LOW indicator lights up.
2. Turn the set to 83MHz by pressing the TUNING (+, -) button and turn OFF the audio modulation of the FM stereo signal generator.
3. Adjust RT202 and L201 for minimum reading on the VTVM. Output level of both channels should be equal.

Servicing Precaution

The front-end section has been carefully adjusted at the factory. When it is worn out, be sure to exchange it all with new section, because it is difficult to repair.



Signal Meter Level Adjustment

Setting:

1. Turn RT301 - 303 fully counterclockwise.
2. Set the output of FM signal generator to 55dB (562µV). Adjust RT303 so that the 1 - 5 LEDs conduct on the signal meter.
3. Set the output of FM signal generator to 55dB (562µV). Adjust RT302 so that the 1 - 6 LEDs conduct on the signal meter.
4. Set the output of FM signal generator to 80dB (10mV). Adjust RT301 so that the 1 - 10 LEDs conduct on the signal meter.

VCO Adjustment

Setting:

Carrier frequency: 98MHz
Modulation: no modulation
Output level: 1mV (60dB)

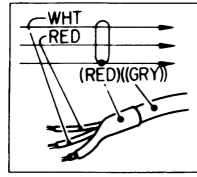
Procedure:
Adjust RT203 for 76kHz ±1000Hz on the counter.

• Refer to page 29 for semiconductor lead layouts.

4-1. MOUNTING DIAGRAM

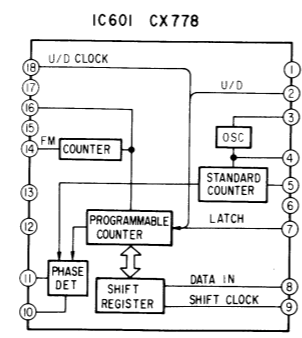
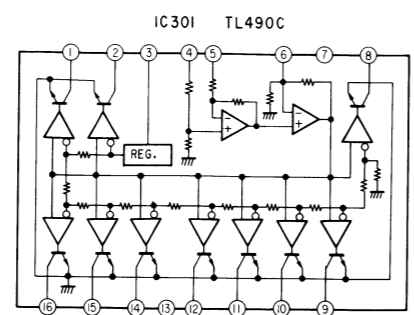
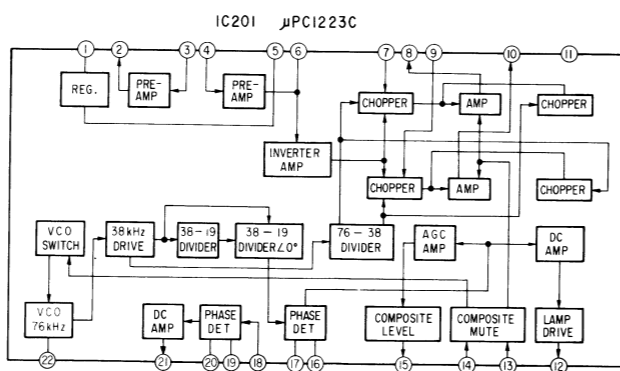
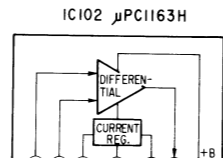
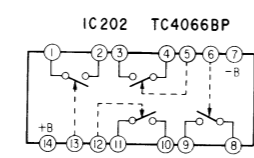
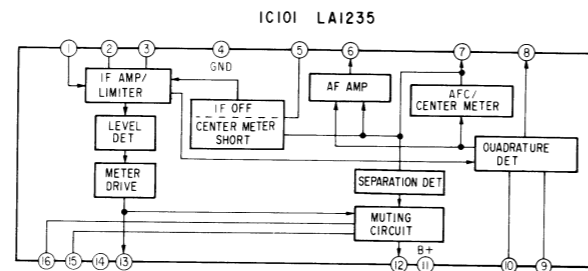
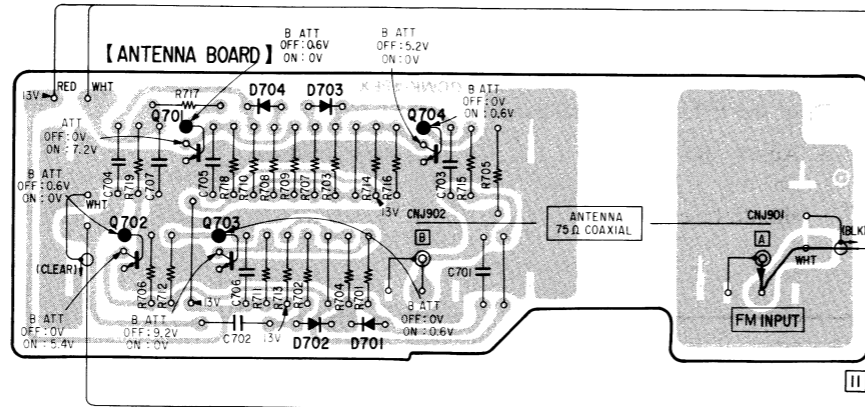
Note:

- Color code of sleeving over the end of the jacket.

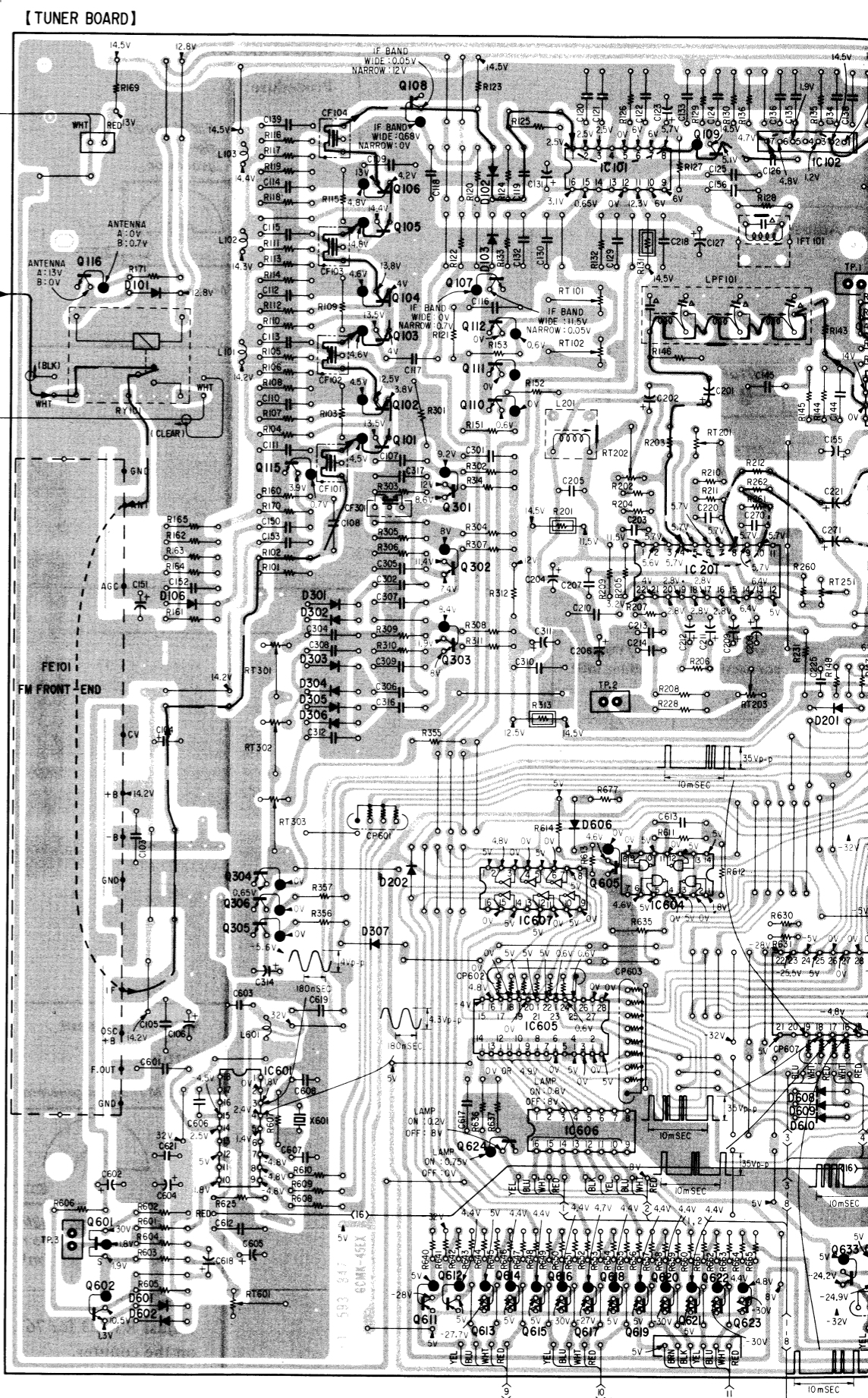


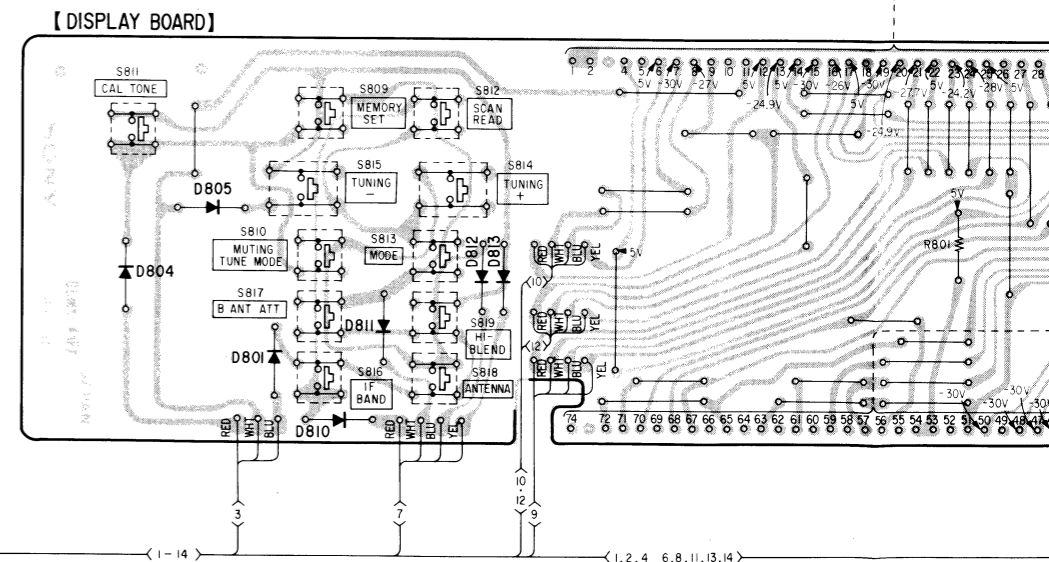
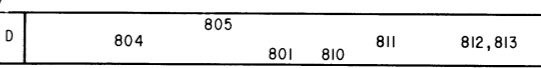
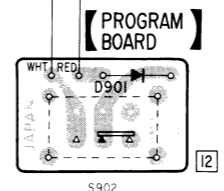
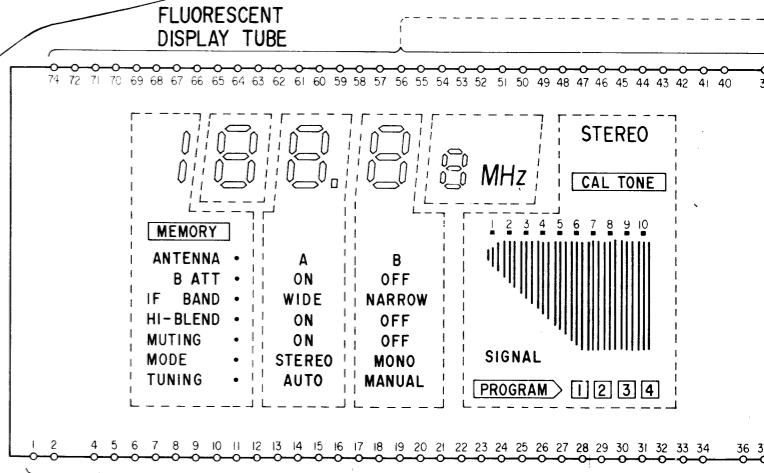
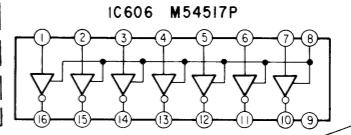
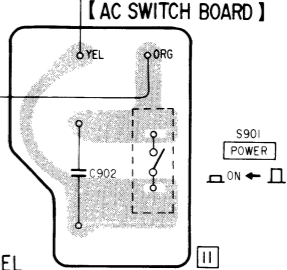
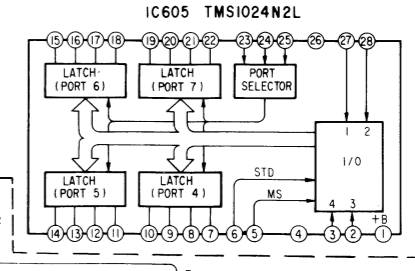
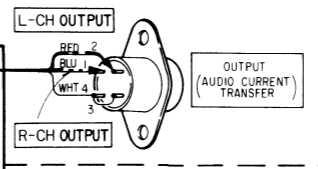
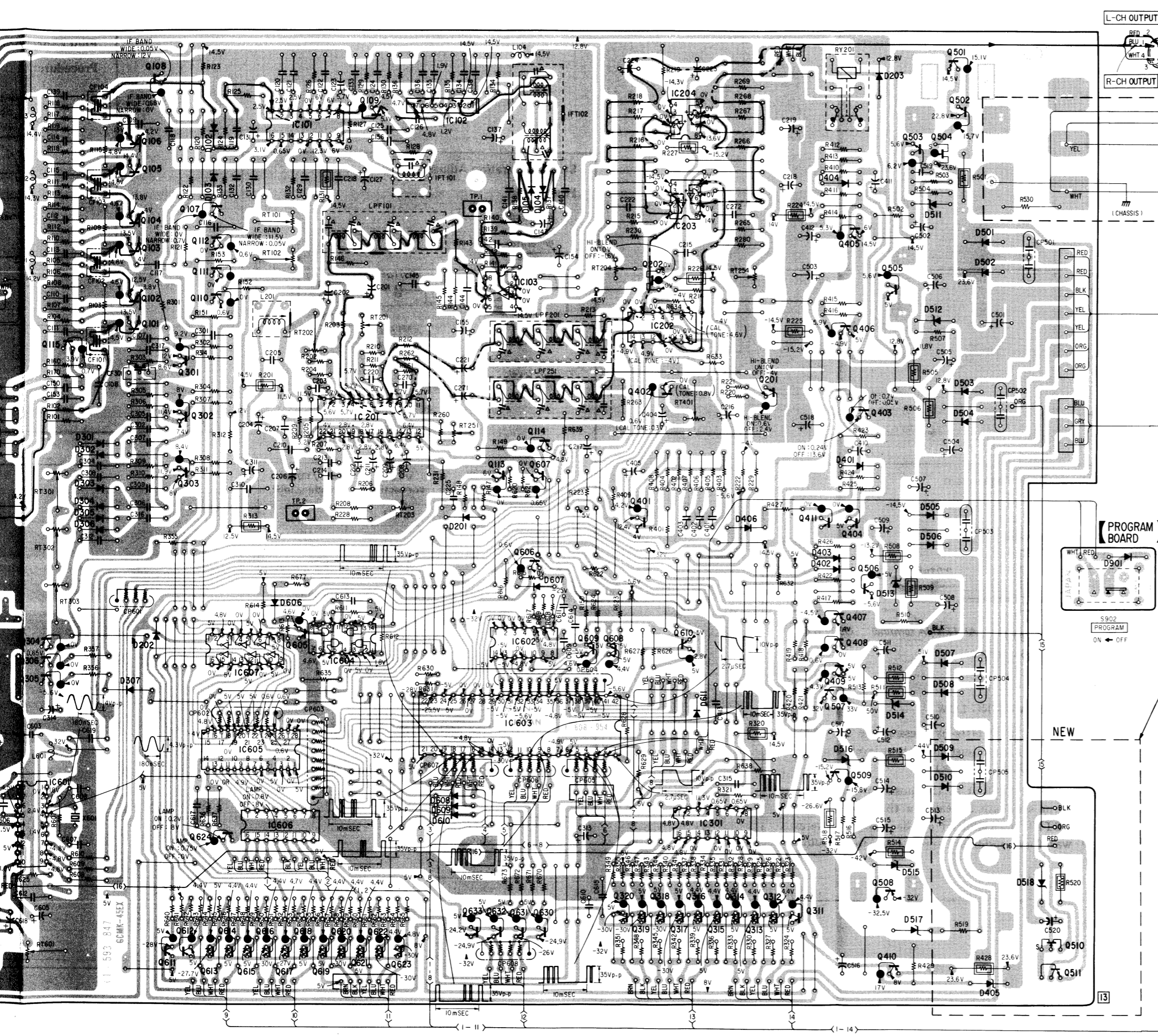
- —○— : parts extracted from the component side.
- □ : indicates side identified with part number.
- ▨ : B+ pattern
- —→ : signal path
- —→ : L-CH signal path
- —→ : R-CH signal path

| | | | | | | |
|---|-----|-----|-----|-----|-----|-----|
| Q | 702 | 701 | 703 | 704 | 703 | 704 |
| D | | | | | | |



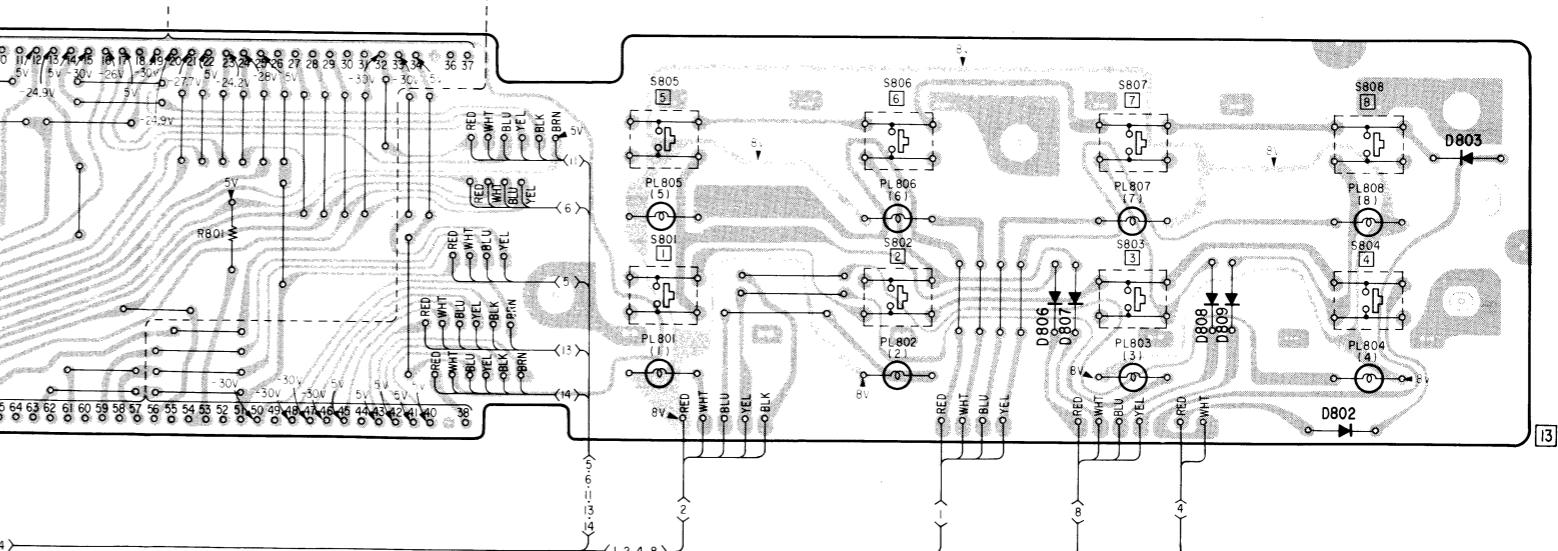
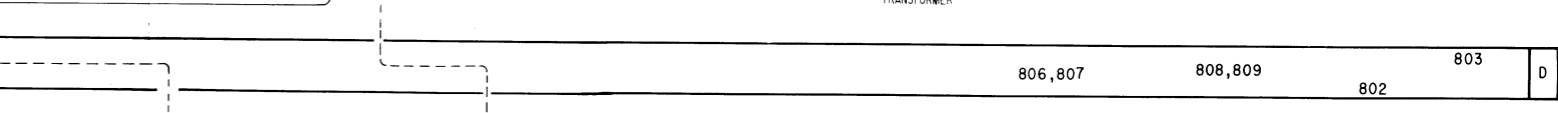
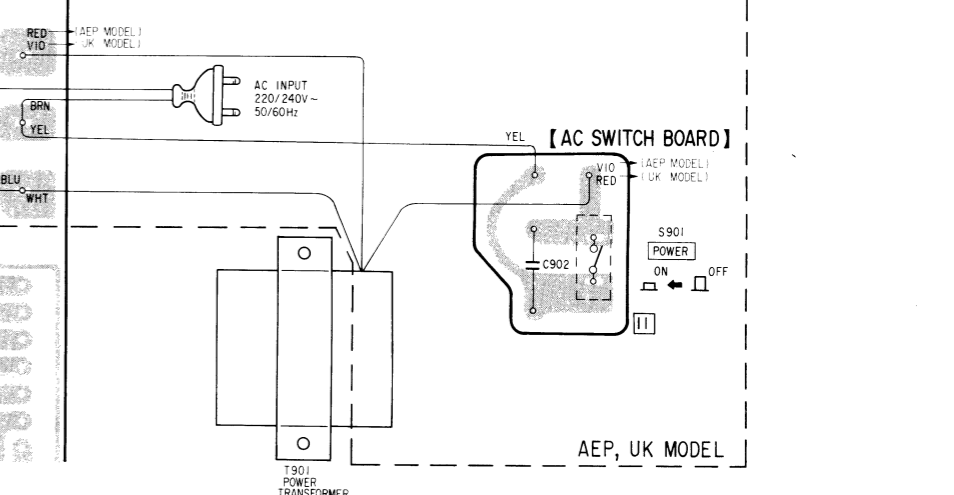
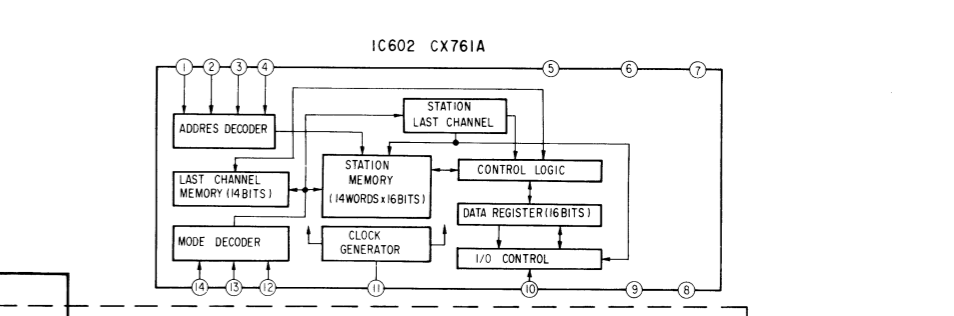
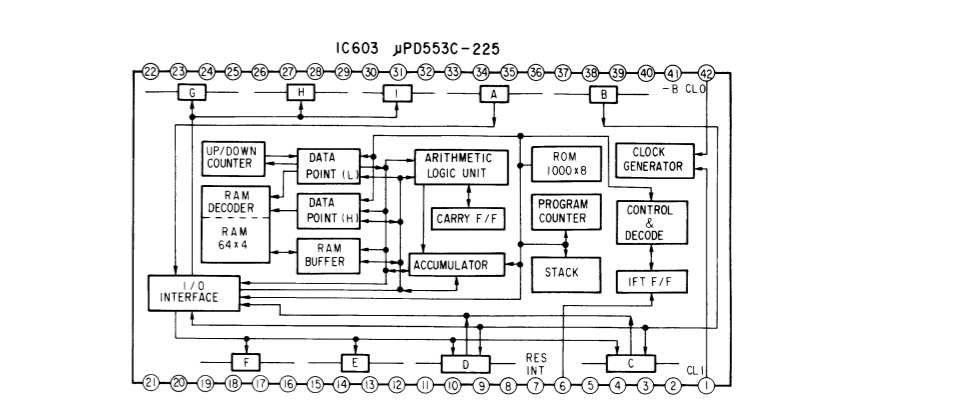
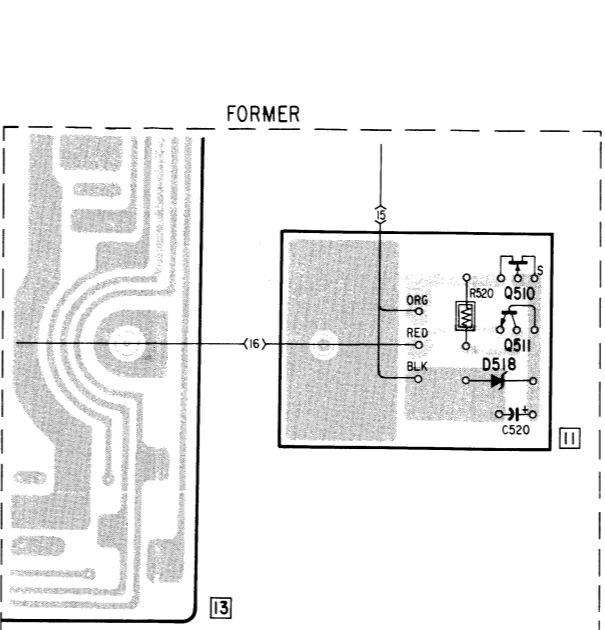
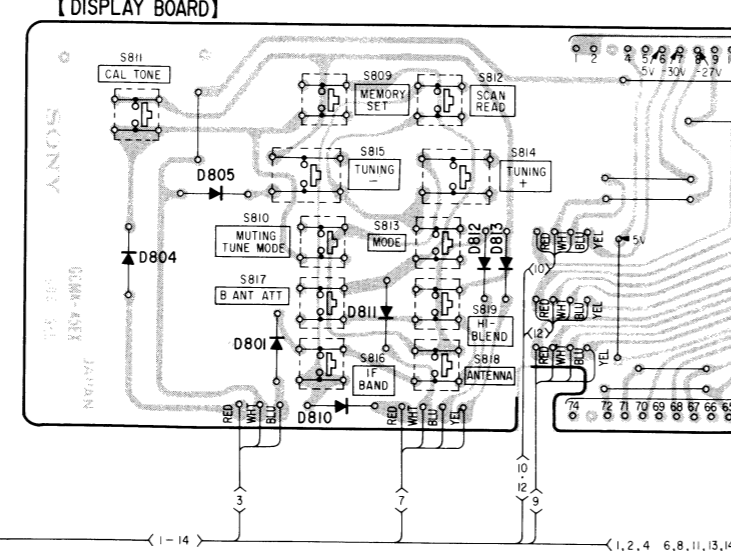
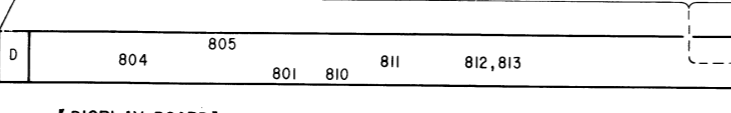
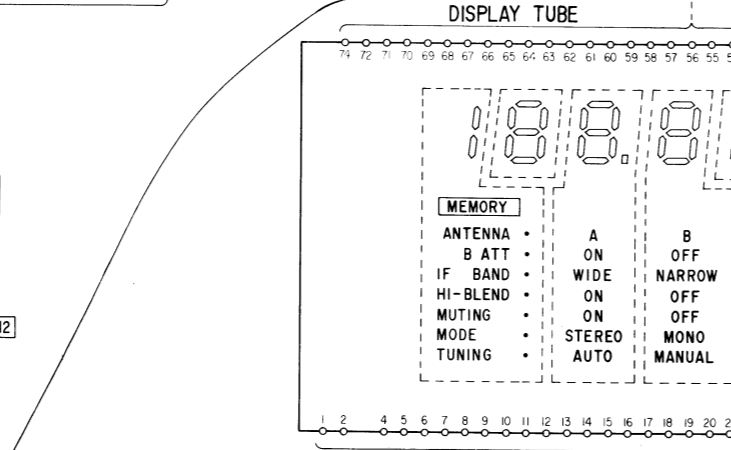
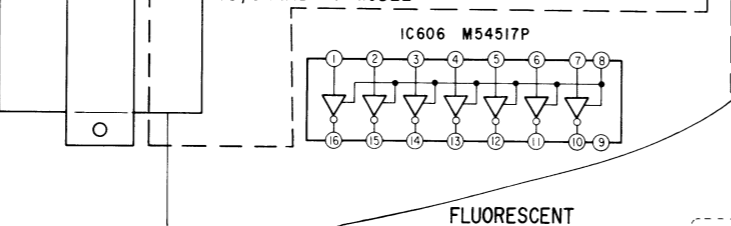
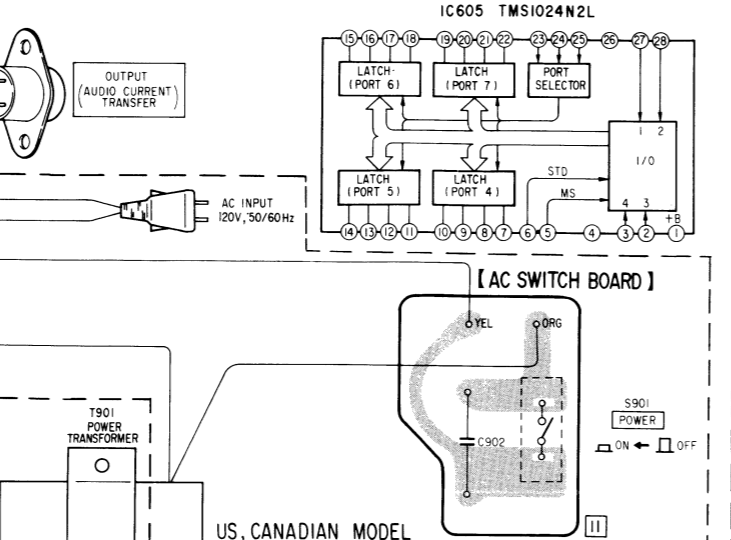
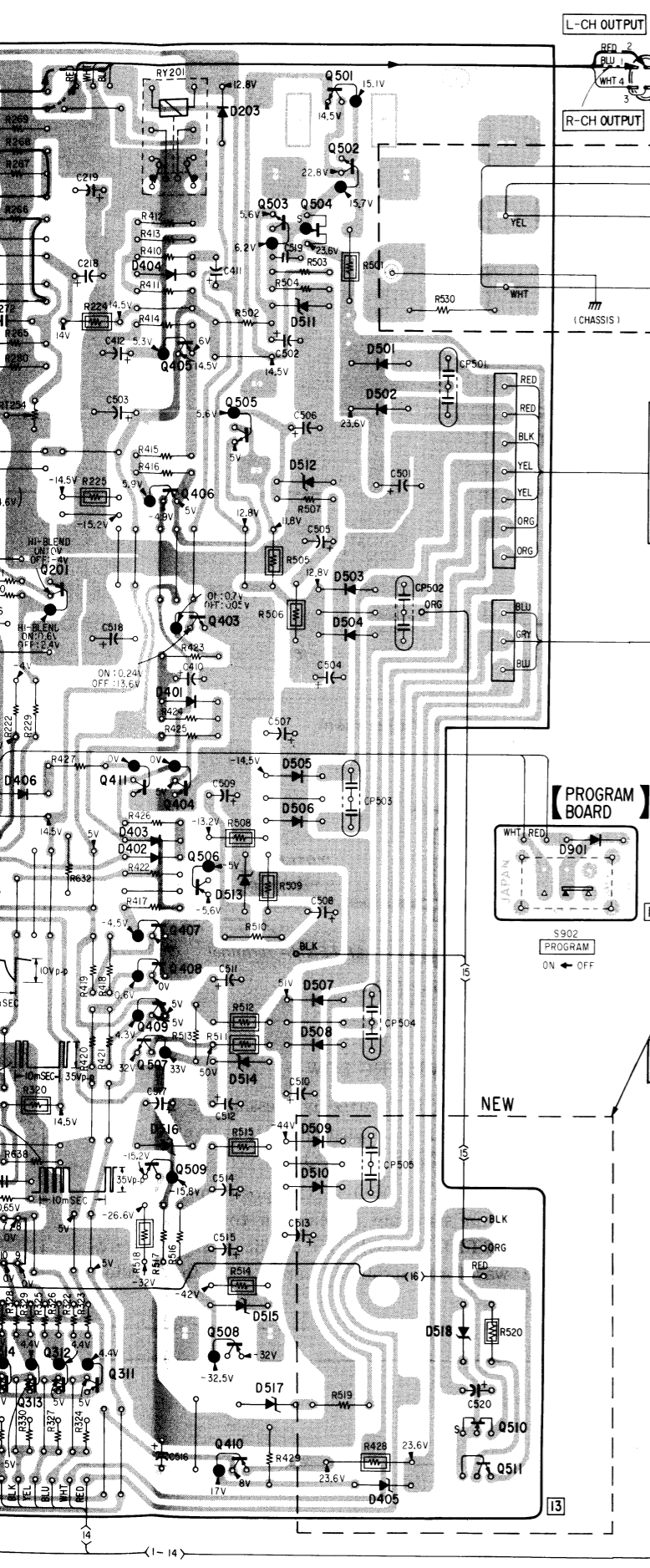
| | | |
|----------|-------------|---------|
| Q | IC | D |
| 108 | 501 | 203 |
| 109 | IC102 | |
| 106 | IC204 | 102 |
| 105 | 503,504 | |
| 116 | IC203 | 103 |
| 104 | 107 | 101 |
| 112 | 405 | 501 |
| 103 | 111 | |
| 102, 110 | IC103 | 202,505 |
| 101 | IC202 | 406 |
| 115 | 301 | 512 |
| | 402,201 | 503 |
| 302 | 403 | 504 |
| 114 | IC201 | |
| 303 | 113,607 | 303 |
| | 302 | 401 |
| | 401,411,404 | 304 |
| 606 | 506 | 201 |
| | 506 | 406 |
| | 506 | 506 |
| | 506 | 513 |
| 605 | 407 | 606 |
| 304 | IC604 | IC602 |
| 306 | 609,608,610 | 408 |
| 305 | IC607 | 409 |
| | 507 | 307 |
| | 507 | 508 |
| | 611 | 514 |
| | IC603 | |
| | IC605 | 516,509 |
| | 509 | 510 |
| | IC601 | IC606 |
| | IC301 | 624 |
| | 624 | |
| | 508 | 515 |
| | 508 | 518 |
| 601 | 311-320 | |
| | 630-633 | 517 |
| | 611-623 | 510 |
| 602 | 410,511 | 601 |
| | 602 | 602 |
| | 405 | |
| Q | IC | D |





ST-S555ES ST-S555ES

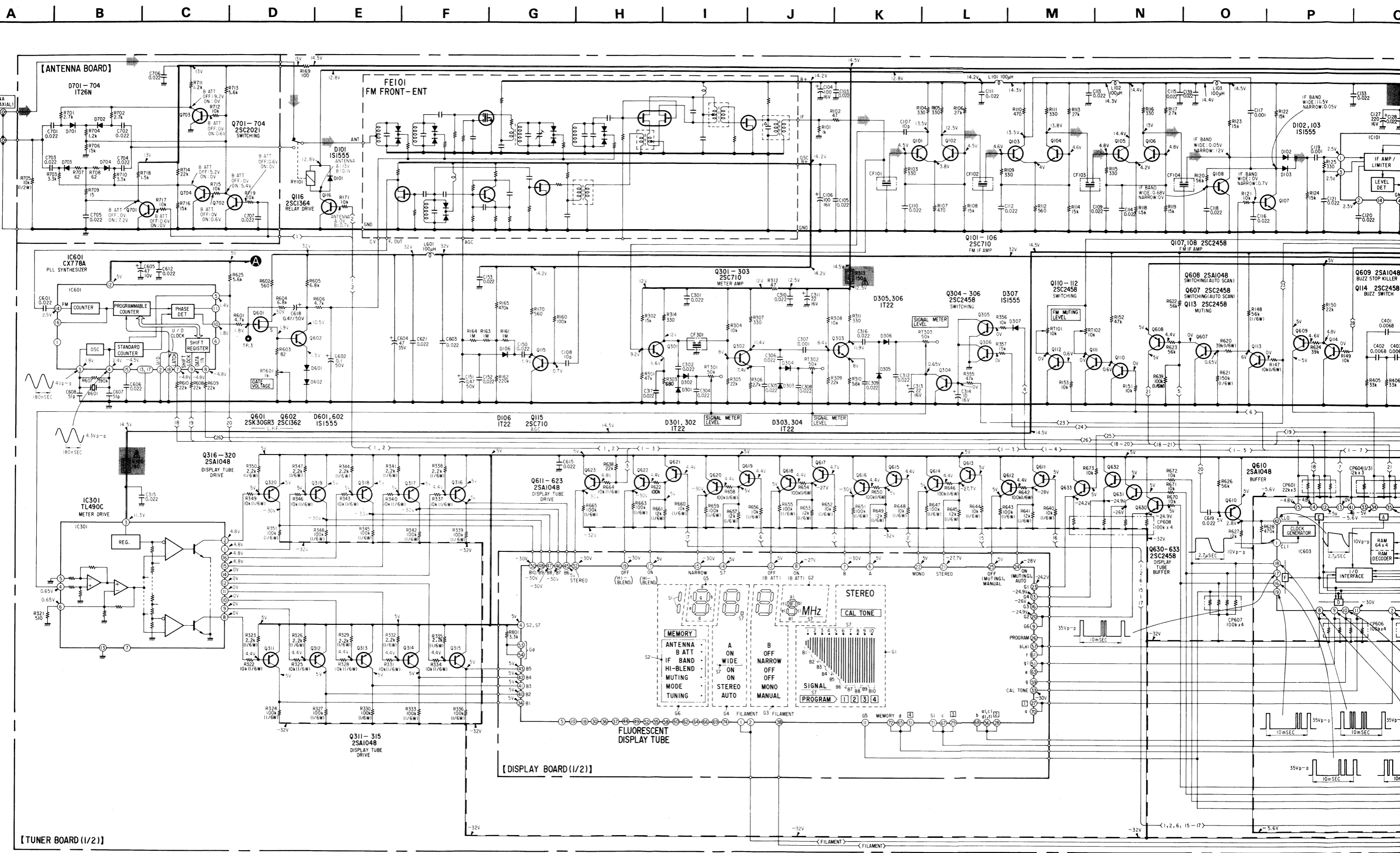
S T U V W X Y Z A1 B1 C1 D1 E1 F1 G1 H1 I1

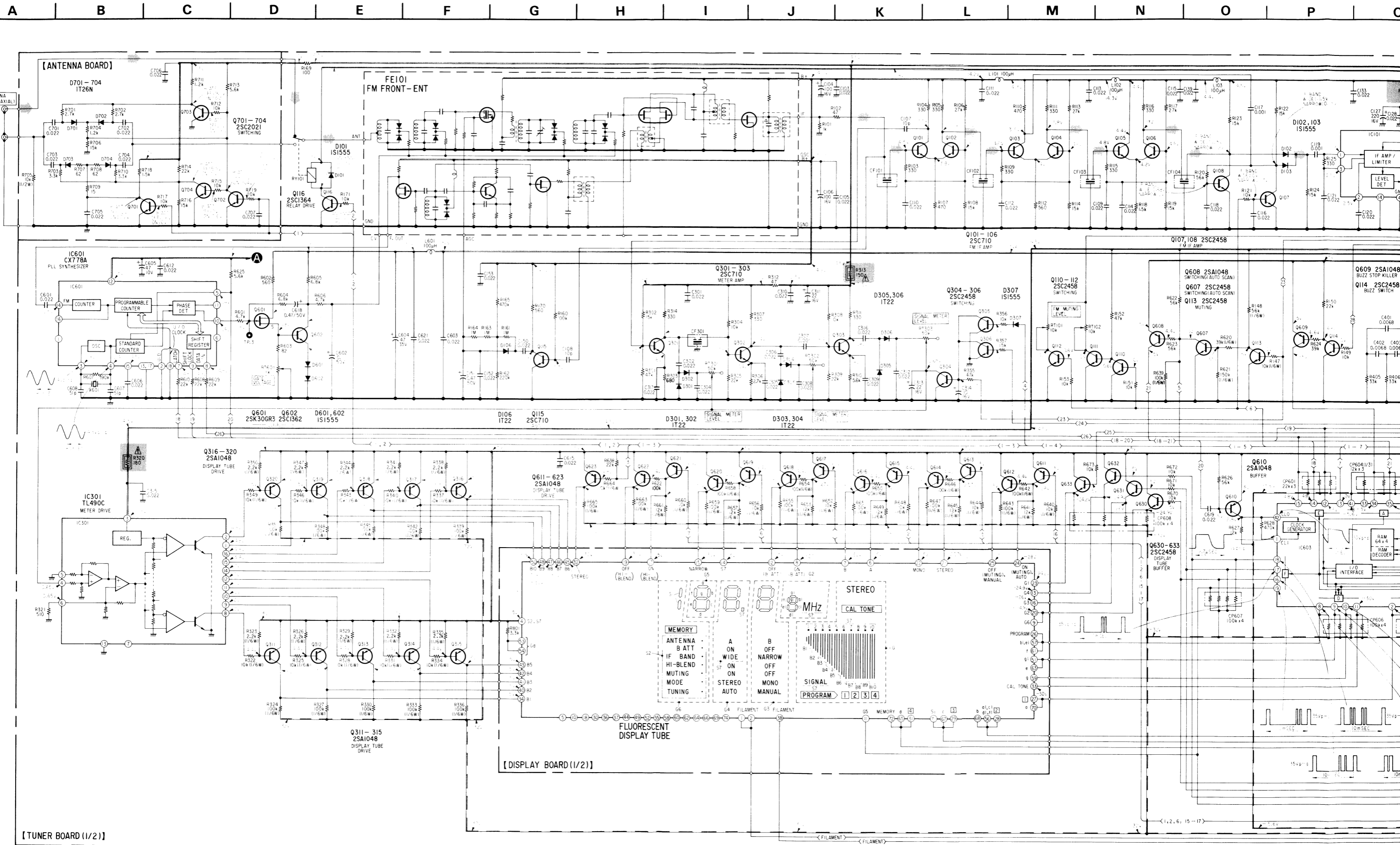


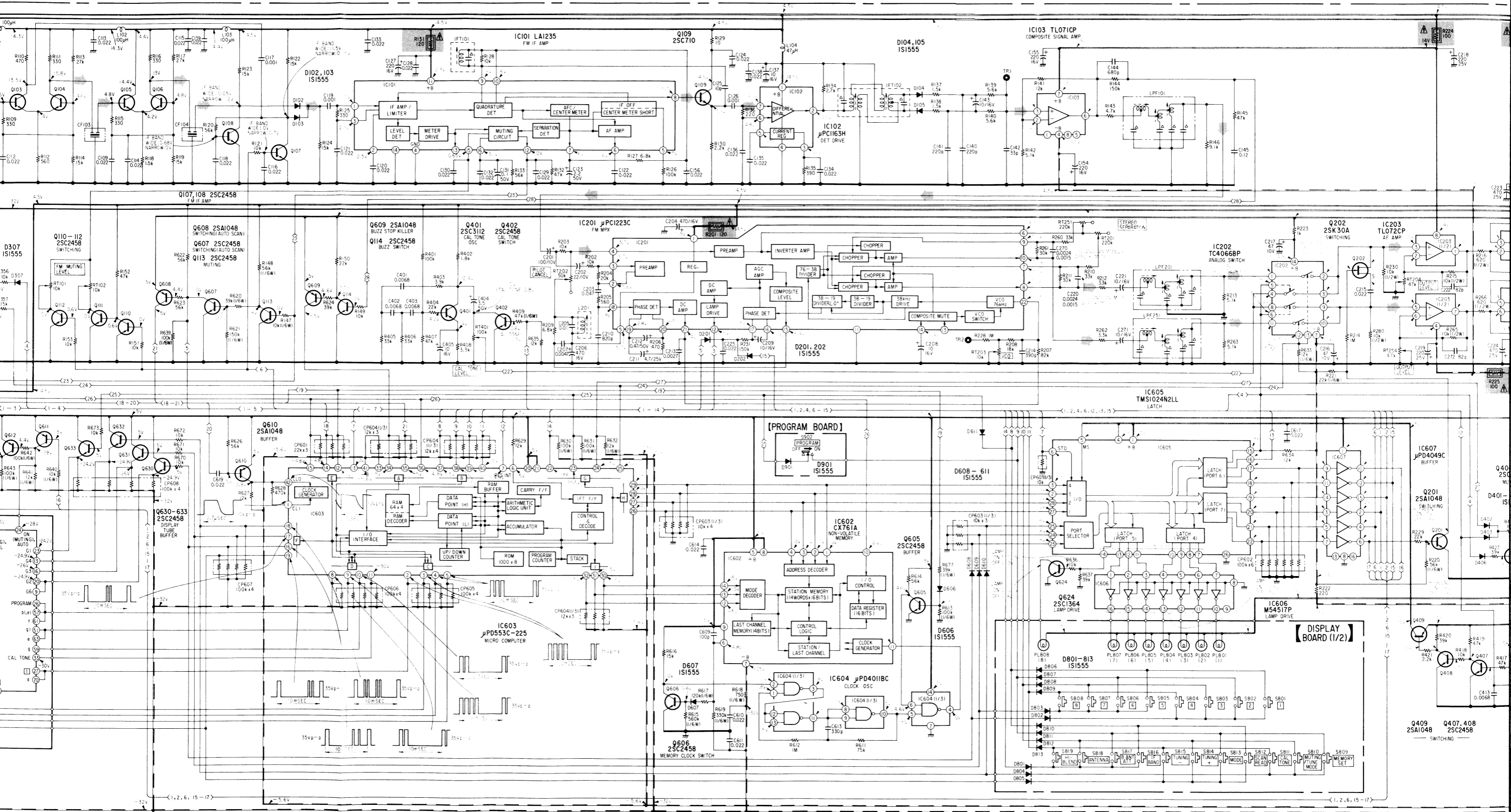
1
2
3
4
5
6
7
8
9
10

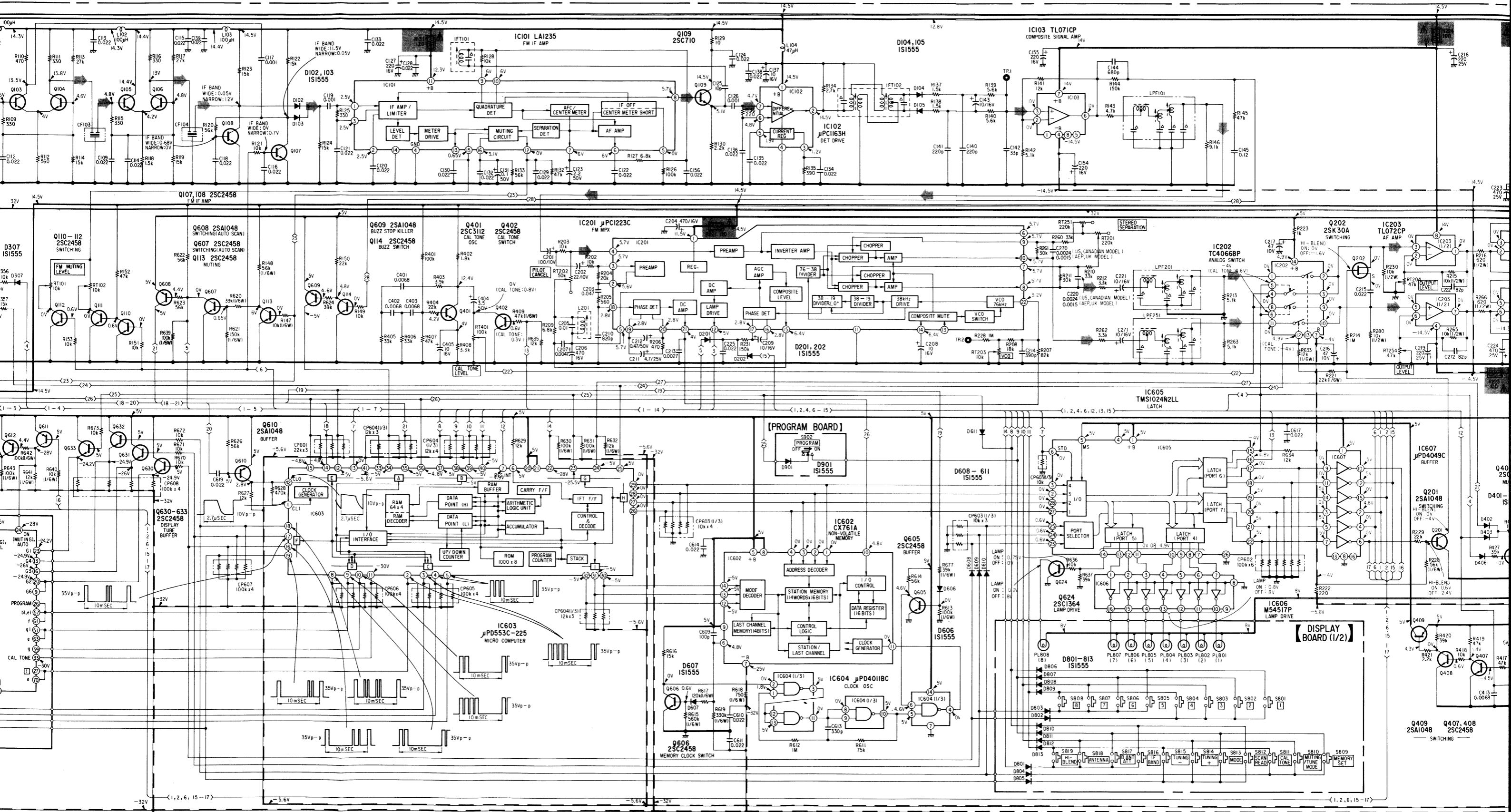
4-2. SCHEMATIC DIAGRAM

Refer to page 28 for note.

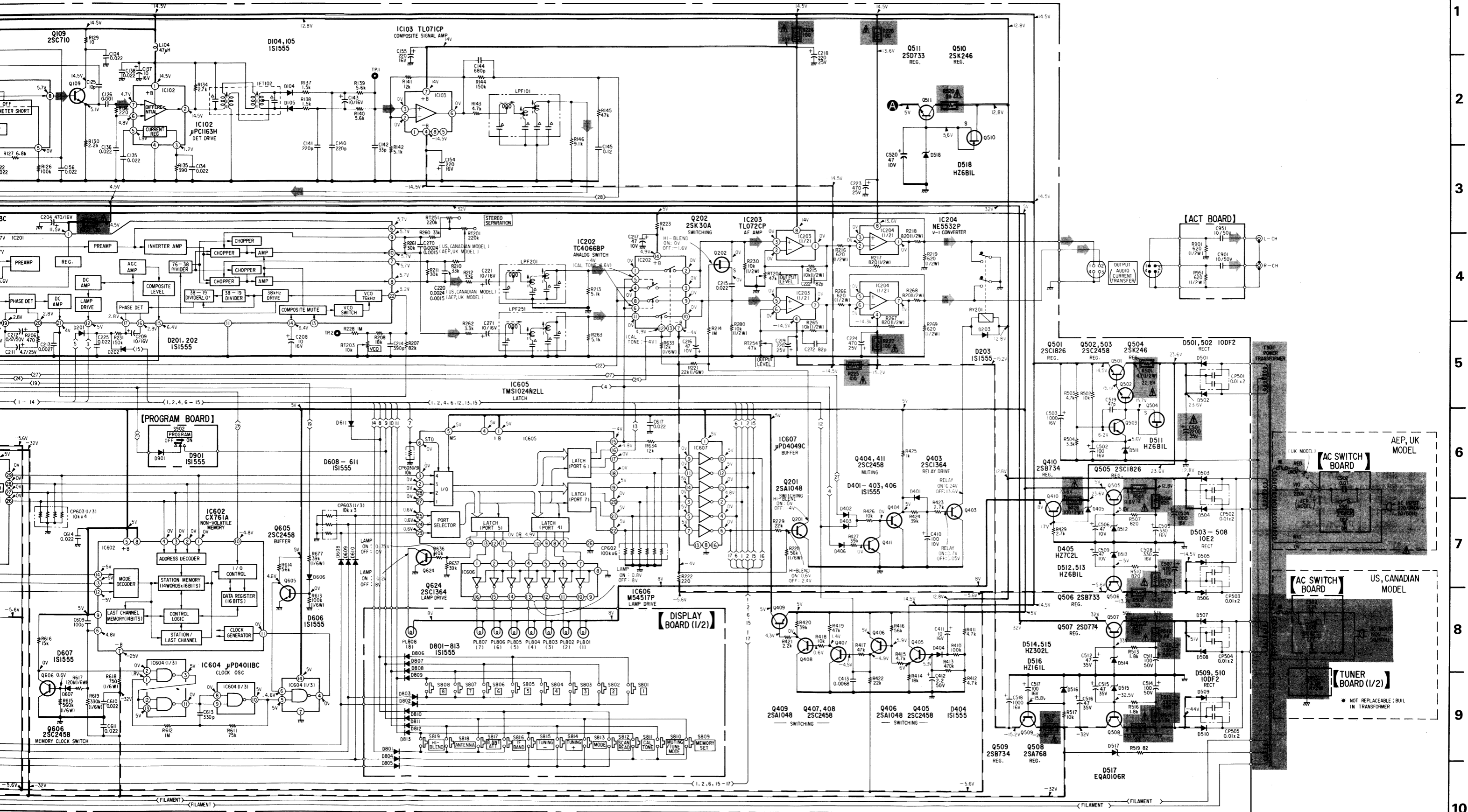






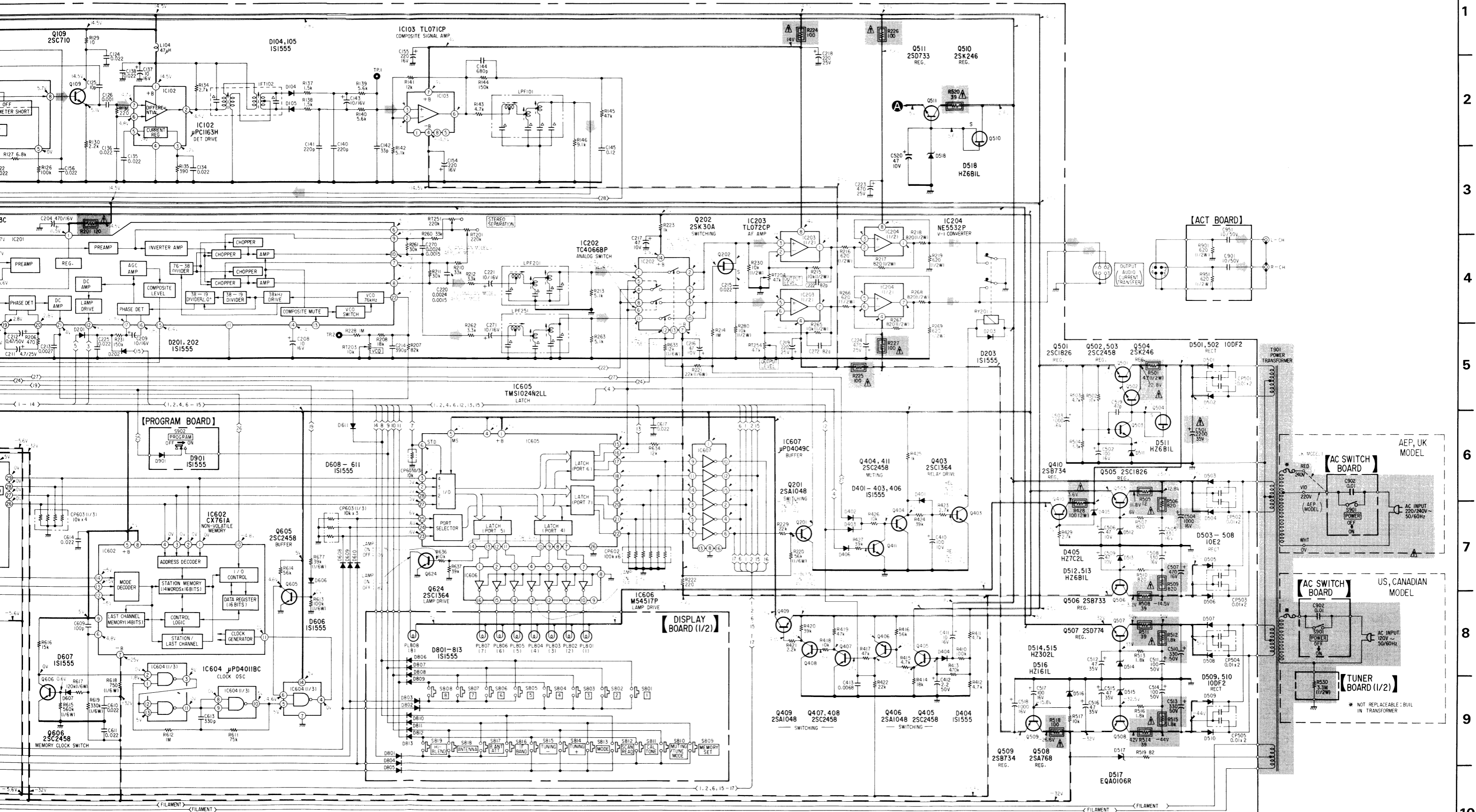


T U V W X Y Z A1 B1 C1 D1 E1 F1 G1 H1 I1 J1



1
2
3
4
5
6
7
8
9
10

T U V W X Y Z A1 B1 C1 D1 E1 F1 G1 H1 I1 J1



1
2
3
4
5
6
7
8
9
10

NOTE FOR SCHEMATIC DIAGRAM

- All capacitors are in μF unless otherwise noted. pF : $\mu\mu\text{F}$ 50WV or less are not indicated except for electrolytics and tantalums.
- All resistors are in ohms, $\frac{1}{4}W$ unless otherwise noted. k Ω : 1000 Ω , M Ω : 1000 k Ω
- : nonflammable resistor.
- Δ : internal component.
- : panel designation.
- : adjustment for repair.
- : B+ bus.
- : B- bus.
- Voltages are dc with respect to ground unless otherwise noted.
- Readings are taken under detuned conditions with a VOM
- Voltage variations may be noted due to normal production tolerances.
- Switch

| Ref. No. | Switch | Position |
|----------|------------------|----------|
| S801 | PRESET 1 | OFF |
| S802 | PRESET 2 | OFF |
| S803 | PRESET 3 | OFF |
| S804 | PRESET 4 | OFF |
| S805 | PRESET 5 | OFF |
| S806 | PRESET 6 | OFF |
| S807 | PRESET 7 | OFF |
| S808 | PRESET 8 | OFF |
| S809 | MEMORY SET | OFF |
| S810 | MUTING/TUNE MODE | OFF |
| S811 | CAL TONE | OFF |
| S812 | SCAN READ | OFF |
| S813 | MODE | OFF |
| S814 | TUNING (+) | OFF |
| S815 | TUNING (-) | OFF |
| S816 | IF BAND | OFF |
| S817 | B ANT ATT | OFF |
| S818 | ANTENNA | OFF |
| S819 | HI-BLEND | OFF |
| S901 | POWER | OFF |
| S902 | PROGRAM | OFF |

Note: The components identified by shading and mark are critical for safety. Replace only with part number specified.

Note: Voltages are measured with a VOM (50k Ω /V).

SEMICONDUCTOR LEAD LAYOUTS

10DF2
1S1555
1T22AM
1T261
10E-2
HZ6B1L
HZ16-2L
HZ30-2L
EQB01-06
HZ7C2L

2SK30A
2SK30A-GR3
2SK246

1S2222

LA1235
TL071CP
TL072CP
NE5532P
CX778A
CX761A
TC4066BP
TL490C
TMS1024N2L
M5417P
 $\mu\text{PC1223C}$
 $\mu\text{PD4011BC}$
 $\mu\text{PD4049C}$
 $\mu\text{PD553C225}$

(Top view)

$\mu\text{PC1163H}$

2SA768
2SA771
2SC1826
2SC1983
2SC1986
2SC2315

2SB733
2SB734
2SD744
2SD774

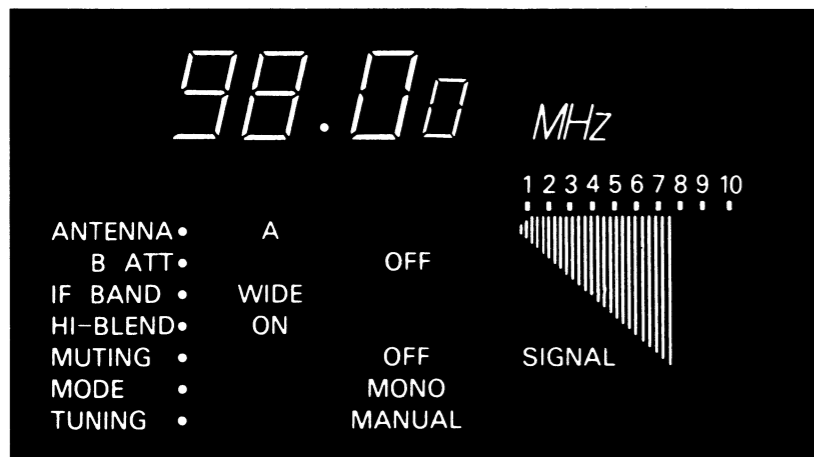
2SC2021

2SC710-14

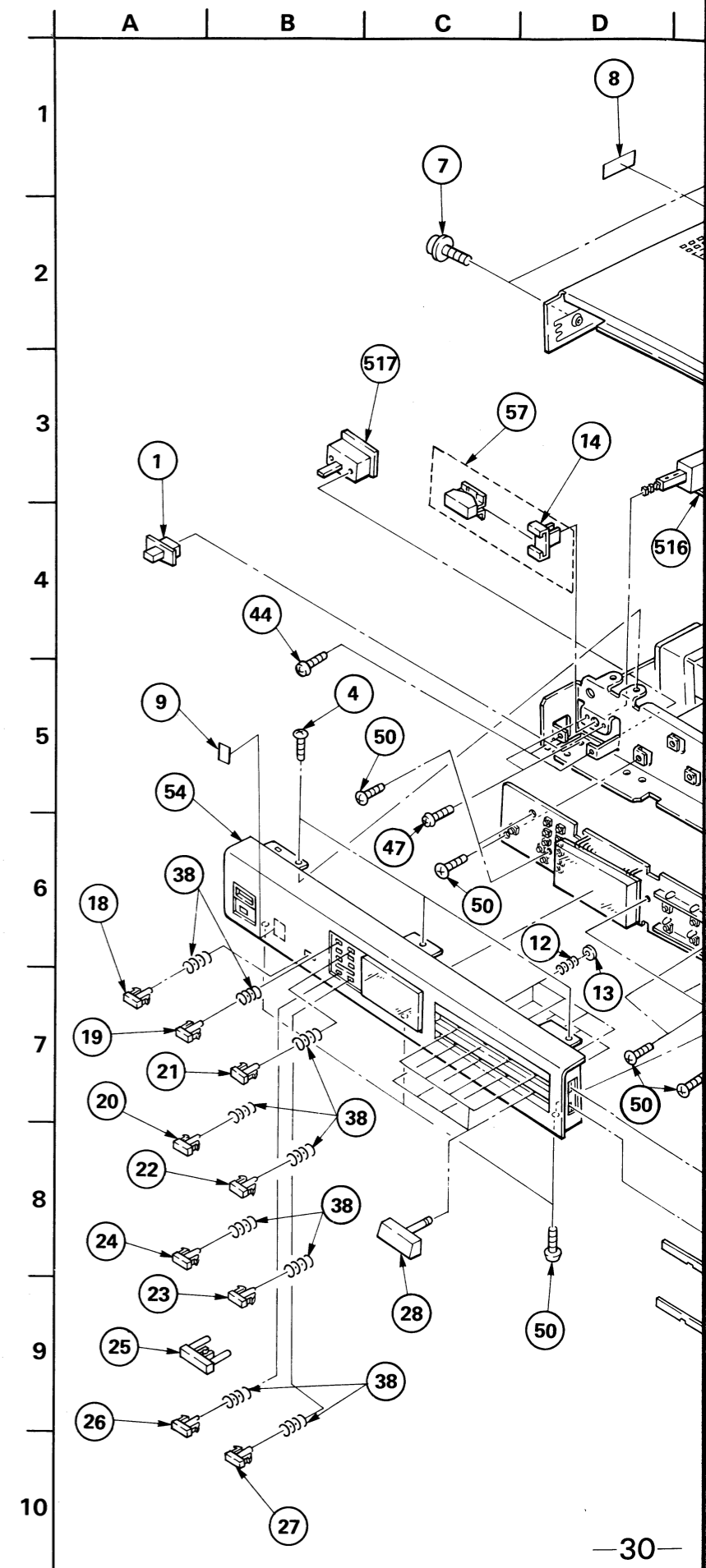
2SA1048
2SC2458

: signal path

Fluorescent tube indication



Voltage and waveform have been measured under condition shown above.

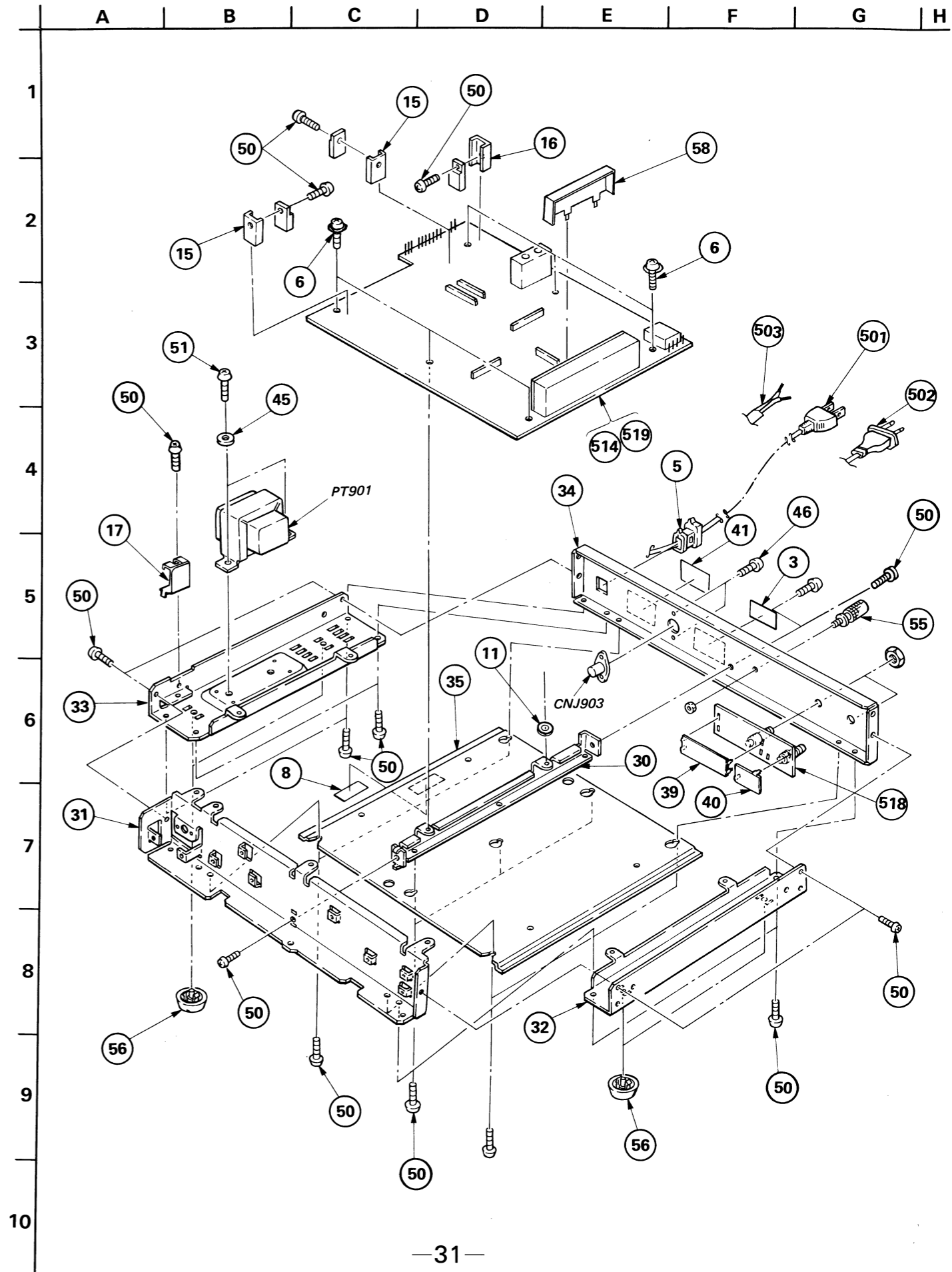
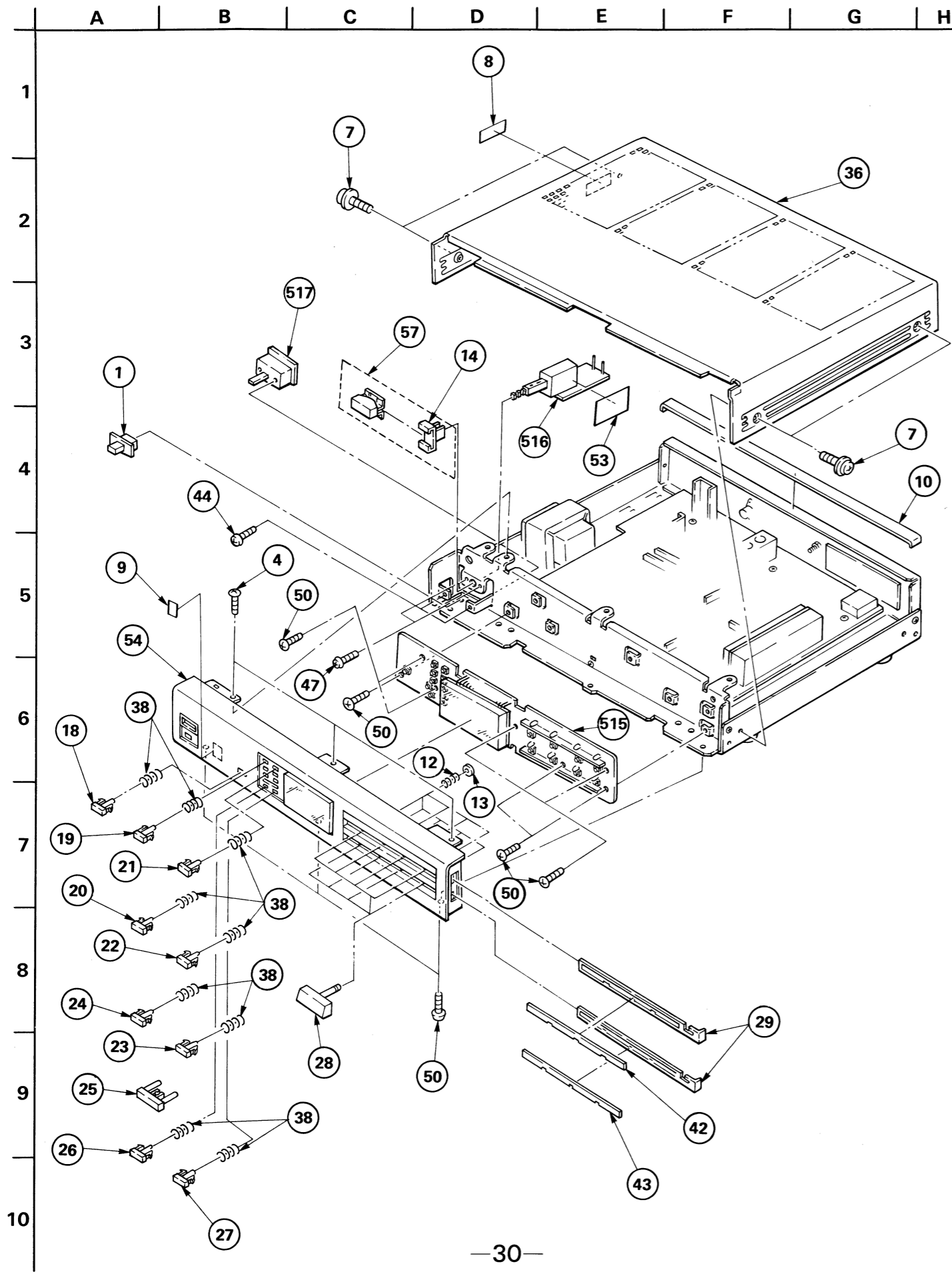


768
771
1826
1983
1986
2315

733
734
744
774

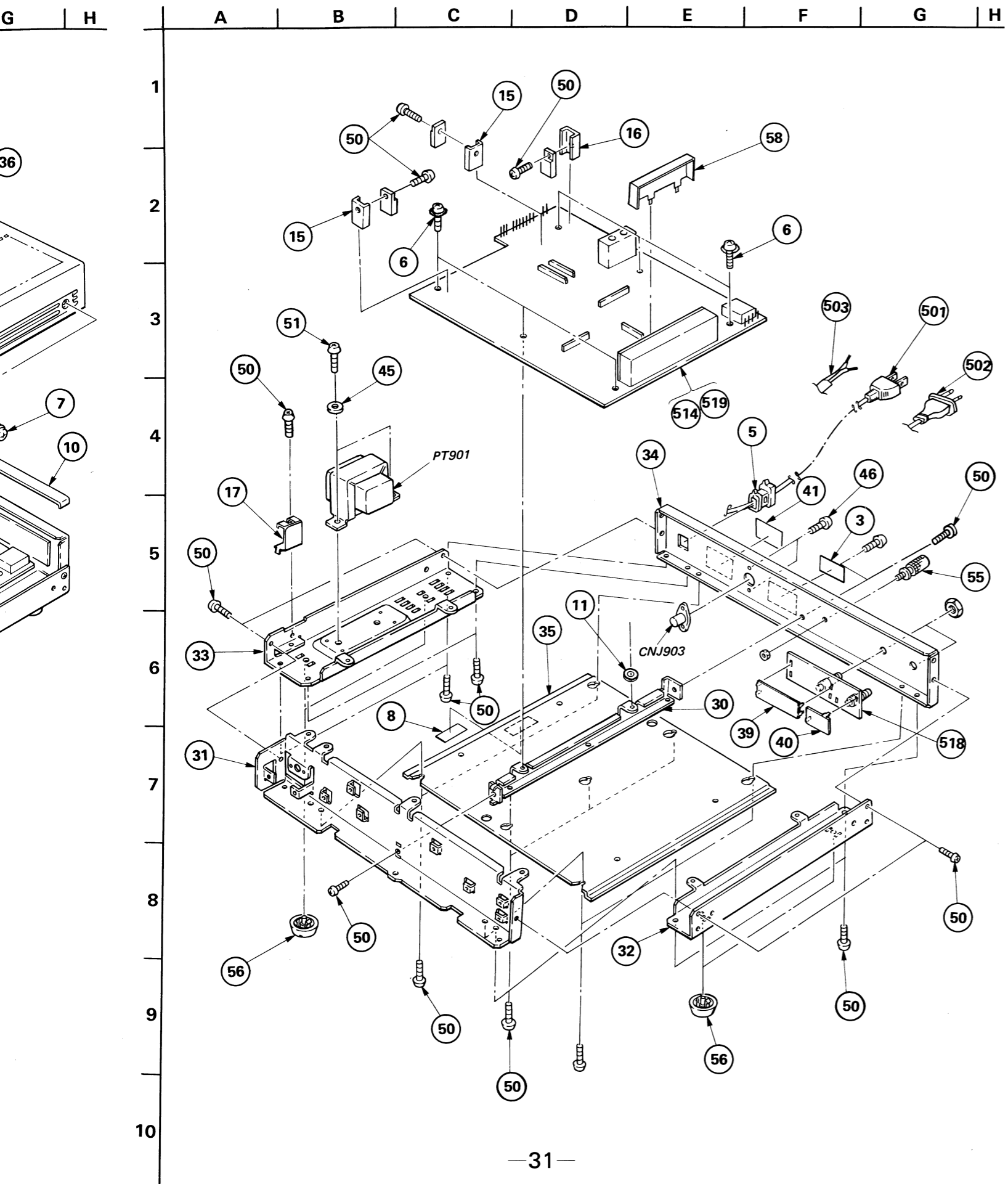
2021

E



NOT
TO
BE
USED
FOR
REPAIR

ST-S555ES ST-S555ES



GENERAL SECTION

| No. | Part No. | Description |
|-----|----------------|--|
| 1 | 3-575-515-21 | KNOB, SLIDE SWITCH (UK).....LABEL, MADE IN JAPAN |
| 2 | 3-701-690-11 | (UK).....LABEL, MADE IN JAPAN |
| 3 | ▲;3-703-043-21 | (Canadian)...LABEL, CAUTION, MAIN, NEW UL |
| 3 | ▲;3-703-677-00 | (US).....LABEL, CAUTION, MAIN, NEW UL |
| 4 | 3-703-108-21 | SCREW +BV 3X6, S TIGHT |
| 5 | 3-703-244-00 | BUSHING, CORD |
| 6 | 3-703-249-11 | SCREW, S TIGHT, +PTTW 3X6 |
| 7 | 3-703-354-01 | SCREW (OS), CASE, CLAW |
| 8 | ▲;3-703-680-00 | (US)...LABEL, CAUTION, SUB, NEW UL |
| 9 | 3-703-710-41 | STICKER, SONY SYMBOL (12) |
| 10 | 3-831-441-XX | CUSHION, SPEAKER |
| 11 | ▲;4-830-092-11 | WASHER, FIVER |
| 12 | 4-854-743-00 | SPRING, COMPRESSION |
| 13 | 4-862-338-01 | WASHER |
| 14 | 4-866-342-00 | JOINT (B), KNOB |
| 15 | ▲;4-866-647-00 | HEAT SINK |
| 16 | ▲;4-880-403-00 | HEAT SINK |
| 17 | ▲;4-884-808-00 | (AEP,UK).....PROTECTOR |
| 18 | 4-886-001-00 | KNOB (A), SQUARE (CAL TONE) |
| 19 | 4-886-002-02 | KNOB (B), SQUARE (ANTENNA) |
| 20 | 4-886-002-12 | KNOB (B), SQUARE (B ANT ATT) |
| 21 | 4-886-002-22 | KNOB (B), SQUARE (IF BAND) |
| 22 | 4-886-002-32 | KNOB (B), SQUARE (HI-BLEND) |
| 23 | 4-886-002-42 | KNOB (B), SQUARE (MODE) |
| 24 | 4-886-002-52 | KNOB (B), SQUARE (MUTING/TUNE MODE) |
| 25 | 4-886-003-00 | KNOB, TUNING |
| 26 | 4-886-004-02 | KNOB (C), SQUARE (MEMORY SET) |
| 27 | 4-886-004-12 | KNOB (C), SQUARE (SCAN READ) |
| 28 | 4-886-005-00 | KNOB, PRESET |
| 29 | 4-886-014-00 | HOLDER, INDICATOR |
| 30 | ▲;4-886-015-00 | REINFORCEMENT |
| 31 | ▲;4-886-021-00 | PANEL, SUB |
| 32 | ▲;4-886-022-00 | CHASSIS (LEFT) |
| 33 | ▲;4-886-023-00 | CHASSIS (RIGHT) |
| 34 | 4-886-024-00 | PLATE, JACK |
| 35 | ▲;4-886-025-00 | PLATE, BOTTOM |
| 36 | 4-886-026-00 | CASE |
| 37 | 4-886-031-00 | CHIP, ADHESIVE |
| 38 | 4-886-032-00 | SPRING, COMPRESSION |
| 39 | ▲;4-886-033-00 | PLATE (A), SHIELD |
| 40 | ▲;4-886-034-00 | PLATE, SHIELD (B) |
| 41 | 4-886-038-00 | (US).....LABEL, MODEL NUMBER (U) |
| 41 | 4-886-039-00 | (Canadian)...LABEL, MODEL NUMBER |
| 41 | 4-886-040-00 | (AEP).....LABEL, MODEL NUMBER |
| 41 | 4-886-041-00 | (UK).....LABEL, MODEL NUMBER |

NOTE:

- Items with no part number and no description are not stocked because they are seldom required for routine service.
- Items marked "▲" are not stocked since they are seldom required for routine service. Some delay should be anticipated when ordering these items.
- Due to standardization, parts with part numbers (Δ-ΔΔΔ-ΔΔΔ-XX or Δ-ΔΔΔΔ-ΔΔΔ-X) may be different from those used in the set.

CAPACITORS:

All capacitors are in μF. Common capacitors are omitted. Refer to the following lists for their part numbers.
MF: μF, PF: μμF.

RESISTORS

All resistors are in ohms. Common 1/4W, 1/8W and 1/16W carbon resistors are omitted. Refer to the following lists for their part numbers.

F : nonflammable

COILS

MMH : mH, UH : μH

GENERAL SECTION

| No. | Part No. | Description |
|-----|----------------|---------------------------------------|
| 42 | 4-886-042-00 | (AEP,UK).....LABEL (A), INDICATOR |
| 42 | 4-886-044-00 | (US,Canadian)...LABEL (U1), INDICATOR |
| 43 | 4-886-043-00 | (AEP,UK).....LABEL (B), INDICATOR |
| 43 | 4-886-045-00 | (US,Canadian)...LABEL (U2), INDICATOR |
| 44 | 7-621-775-10 | SCREW +B 2.6X4 |
| 45 | 7-623-112-15 | W 5, MIDDLE |
| 46 | 7-682-547-09 | SCREW +B 3X6 |
| 47 | 7-682-647-09 | SCREW +PS 3X6 |
| 48 | 7-684-023-04 | N 3, TYPE 2 |
| 49 | 7-685-871-01 | SCREW +BVTT 3X6 (S) |
| 50 | 7-685-871-09 | SCREW +BVTT 3X6 (S) |
| 51 | 7-685-880-09 | SCREW +BVTT 4X6 (S) |
| 52 | 7-688-003-11 | W 3, MIDDLE |
| 53 | 9-911-863-XX | (AEP,UK).....INSULATOR |
| 54 | A-4322-478-A | PANEL ASSY, FRONT |
| 55 | X-4854-207-0 | TERMINAL ASSY, GROUND |
| 56 | X-4864-303-0 | FOOT ASSY |
| 57 | X-4885-901-0 | KNOB ASSY, POWER |
| 58 | ▲;4-886-050-00 | CASE, SHIELD |

ACCESSORY & PACKING MATERIAL

| No. | Part No. | Description |
|-----|--------------|---|
| 101 | 1-417-090-00 | (AEP,UK)....TRANSFORMER, ANTENNA MATCHING |
| 102 | 1-501-161-00 | ANTENNA,FEEDER |
| 103 | 1-506-305-00 | (US,Canadian)...PLUG, F (FP-33) |
| 104 | 1-513-379-00 | (US,Canadian)...CONVERTER (EAC-25) |
| 105 | 3-701-630-00 | BAG, POLYETHYLENE |
| 106 | 3-703-390-01 | (US).....INSTRUCTION |
| 107 | 3-773-215-11 | (Canadian,AEP,UK)...MANUAL, INSTRUCTION |
| 107 | 3-773-215-21 | (US).....MANUAL, INSTRUCTION |
| 107 | 3-773-215-41 | (AEP).....MANUAL, INSTRUCTION |
| 108 | 4-871-333-00 | SHEET, PROTECTION |
| 109 | 4-875-448-00 | CUSHION, UPPER |
| 110 | 4-875-449-00 | CUSHION, LOWER |
| 111 | 4-886-048-00 | INDIVIDUAL CARTON |
| 112 | 4-886-037-00 | SPACER |
| 113 | 4-886-044-00 | (US,Canadian)...LABEL (U1), INDICATOR |
| 114 | 4-886-045-00 | (US,Canadian)...LABEL (U2), INDICATOR |
| 115 | 4-886-046-00 | (AEP,UK).....LABEL (E1), INDICATOR |
| 116 | 4-886-047-00 | (AEP,UK).....LABEL (E2), INDICATOR |
| 117 | A-4490-145-A | ACT ASSY (CORD, CONNECTION) |

The components identified by shading and mark **▲** are critical for safety. Replace only with part number specified.

Les composants identifiés par une trame et une marque **▲** sont critiques pour la sécurité. Ne les remplacer que par une pièce portant le numéro spécifié.

SEMICONDUCTORS
In each case, U : μ, for example:
UA...: μA...; UPA...: μPA...; UPC...: μPC,
UPD...: μPD...

ELECTRICAL PARTS

| Ref.No. | Part No. | Description |
|---------|----------------|------------------------------------|
| 501 | ▲;1-556-874-00 | (US,Canadian)...CORD, POWER |
| 502 | ▲;1-555-795-00 | (AEP).....CORD, POWER |
| 503 | ▲;1-556-035-00 | (UK).....CORD, POWER |
| 504 | ●;1-508-811-00 | BASE POST (14MM) 4P |
| 505 | ●;1-535-116-00 | TERMINAL |
| 506 | ●;1-535-120-00 | TERMINAL |
| 507 | ●;1-535-135-00 | BASE POST 14MM (10MM PITCH) |
| 508 | ●;1-535-416-00 | TERMINAL |
| 509 | ●;1-560-060-00 | PIN, CONNECTOR 2P |
| 510 | ●;1-560-062-00 | PIN, CONNECTOR 4P |
| 511 | ●;1-560-064-00 | PIN, CONNECTOR 6P |
| 512 | ●;1-560-242-11 | BUS BAR 3P |
| 513 | ●;1-560-242-61 | BUS BAR 2P |
| 514 | ●;1-608-954-00 | PC BOARD, TUNER |
| 515 | ●;1-608-955-00 | PC BOARD, DISPLAY |
| 516 | ●;1-608-956-00 | PC BOARD, AC SW |
| 517 | ●;1-608-957-00 | PC BOARD, PROGRAM |
| 518 | ●;1-608-958-00 | PC BOARD, ANTENNA |
| 519 | ●;A-4351-350-A | (US,Canadian)...MOUNTED PCB, TUNER |
| 519 | ●;A-4351-351-A | (AEP,UK).....MOUNTED PCB, TUNER |
| C101 | 1-161-494-00 | CERAMIC 0.022MF 30% 25V |
| C102 | 1-123-356-00 | ELECT 10MF 20% 16V |
| C103 | 1-161-494-00 | CERAMIC 0.022MF 30% 25V |
| C104 | 1-123-320-00 | ELECT 100MF 20% 16V |
| C105 | 1-161-494-00 | CERAMIC 0.022MF 30% 25V |
| C106 | 1-123-320-00 | ELECT 100MF 20% 16V |
| C107 | 1-161-279-00 | CERAMIC 10PF 5% 50V |
| C108 | 1-161-279-00 | CERAMIC 10PF 5% 50V |
| C109 | 1-161-494-00 | CERAMIC 0.022MF 30% 25V |
| C110 | 1-161-494-00 | CERAMIC 0.022MF 30% 25V |
| C111 | 1-161-494-00 | CERAMIC 0.022MF 30% 25V |
| C112 | 1-161-494-00 | CERAMIC 0.022MF 30% 25V |
| C113 | 1-161-494-00 | CERAMIC 0.022MF 30% 25V |
| C114 | 1-161-494-00 | CERAMIC 0.022MF 30% 25V |
| C115 | 1-161-494-00 | CERAMIC 0.022MF 30% 25V |
| C116 | 1-161-494-00 | CERAMIC 0.022MF 30% 25V |
| C117 | 1-161-323-00 | CERAMIC 0.001MF 10% 50V |
| C118 | 1-161-494-00 | CERAMIC 0.022MF 30% 25V |
| C119 | 1-161-323-00 | CERAMIC 0.001MF 10% 50V |
| C120 | 1-161-494-00 | CERAMIC 0.022MF 30% 25V |
| C121 | 1-161-494-00 | CERAMIC 0.022MF 30% 25V |
| C122 | 1-161-494-00 | CERAMIC 0.022MF 30% 25V |
| C123 | 1-123-353-00 | ELECT 2.2MF 20% 50V |
| C124 | 1-161-494-00 | CERAMIC 0.022MF 30% 25V |

ELECTRICAL PARTS

| Ref.No. | Part No. | Description |
|---------|--------------|---------------------------|
| C125 | 1-161-279-00 | CERAMIC 10PF 5% 50V |
| C126 | 1-161-323-00 | CERAMIC 0.001MF 10% 50V |
| C127 | 1-123-321-00 | ELECT 220MF 20% 16V |
| C128 | 1-161-494-00 | CERAMIC 0.022MF 30% 25V |
| C129 | 1-161-494-00 | CERAMIC 0.022MF 30% 25V |
| C130 | 1-161-494-00 | CERAMIC 0.022MF 30% 25V |
| C131 | 1-123-607-00 | ELECT 0.1MF 20% 50V |
| C132 | 1-161-494-00 | CERAMIC 0.022MF 30% 25V |
| C133 | 1-161-494-00 | CERAMIC 0.022MF 30% 25V |
| C134 | 1-161-494-00 | CERAMIC 0.022MF 30% 25V |
| C135 | 1-161-494-00 | CERAMIC 0.022MF 30% 25V |
| C136 | 1-161-494-00 | CERAMIC 0.022MF 30% 25V |
| C137 | 1-123-356-00 | ELECT 10MF 20% 16V |
| C138 | 1-161-494-00 | CERAMIC 0.022MF 30% 25V |
| C139 | 1-161-494-00 | CERAMIC 0.022MF 30% 25V |
| C140 | 1-107-310-00 | MICA 220PF 5% 500V |
| C141 | 1-107-310-00 | MICA 220PF 5% 500V |
| C142 | 1-107-317-00 | MICA 33PF 5% 500V |
| C143 | 1-123-356-00 | ELECT 10MF 20% 16V |
| C144 | 1-161-321-00 | CERAMIC 680PF 10% 50V |
| C145 | 1-108-363-00 | MYLAR 0.12MF 10% 50V |
| C150 | 1-161-494-00 | CERAMIC 0.022MF 30% 25V |
| C151 | 1-123-610-00 | ELECT 0.47MF 20% 50V |
| C152 | 1-161-494-00 | CERAMIC 0.022MF 30% 25V |
| C153 | 1-161-494-00 | CERAMIC 0.022MF 30% 25V |
| C154 | 1-123-321-00 | ELECT 220MF 20% 16V |
| C155 | 1-123-321-00 | ELECT 220MF 20% 16V |
| C156 | 1-161-494-00 | CERAMIC 0.022MF 30% 25V |
| C201 | 1-123-671-00 | ELECT 100MF 20% 10V |
| C202 | 1-123-668-00 | ELECT 22MF 20% 10V |
| C203 | 1-108-595-00 | MYLAR 0.047MF 5% 50V |
| C204 | 1-123-487-00 | ELECT 470MF 20% 16V |
| C205 | 1-103-749-00 | POLYSTYRENE 0.01MF 5% 50V |
| C206 | 1-123-487-00 | ELECT 470MF 20% 16V |
| C207 | 1-108-571-00 | MYLAR 0.0047MF 5% 50V |
| C208 | 1-123-617-00 | ELECT 10MF 20% 16V |
| C209 | 1-123-617-00 | ELECT 10MF 20% 16V |
| C210 | 1-161-322-00 | CERAMIC 820PF 10% 50V |
| C211 | 1-123-616-00 | ELECT 4.7MF 20% 25V |
| C212 | 1-123-610-00 | ELECT 0.47MF 20% 50V |
| C213 | 1-108-565-00 | MYLAR 0.0027MF 5% 50V |
| C214 | 1-104-067-00 | POLYSTYRENE 390PF 5% 50V |
| C215 | 1-108-587-00 | MYLAR 0.022MF 5% 50V |
| C216 | 1-123-306-00 | ELECT 47MF 20% 10V |
| C217 | 1-123-306-00 | ELECT 47MF 20% 10V |

NOTE:

- Items with no part number and no description are not stocked because they are seldom required for routine service.
- Items marked " ● " are not stocked since they are seldom required for routine service. Some delay should be anticipated when ordering these items.
- Due to standardization, parts with part numbers (▲-△△△-△△△-XX or ▲-△△△△-△△△-X) may be different from those used in the set.

CAPACITORS:

- All capacitors are in μF . Common capacitors are omitted. Refer to the following lists for their part numbers. MF: μF , PF: μpF .

RESISTORS

- All resistors are in ohms. Common 1/4W, 1/8W and 1/16W carbon resistors are omitted. Refer to the following lists for their part numbers.

- F : nonflammable

COILS

- MMH : mH, UH : μH

The components identified by shading and mark ▲ are critical for safety. Replace only with part number specified.

Les composants identifiés par une trame et une marque ▲ sont critiques pour la sécurité. Ne les remplacer que par une pièce portant le numéro spécifié.

SEMICONDUCTORS

In each case, U : μ , for example:
 UA...: μA ..., UPA...: μPA ..., UPC...: μPC ,
 UPD...: μPD ...

ST-S555ES

ELECTRICAL PARTS

| Ref.No. | Part No. | Description | | | |
|---------|--------------|-----------------------------|----------|-----|------|
| C218 | 1-123-694-00 | ELECT | 220MF | 20% | 25V |
| C219 | 1-123-694-00 | ELECT | 220MF | 20% | 25V |
| C220 | 1-104-230-00 | (AEP,UK).....POLYSTYRENE | 0.0024MF | 5% | 125V |
| C220 | 1-104-237-00 | (US,Canadian)...POLYSTYRENE | 0.0024MF | 5% | 125V |
| C221 | 1-123-678-00 | ELECT | 10MF | 20% | 16V |
| C222 | 1-107-037-00 | MICA | 82PF | 5% | 500V |
| C223 | 1-123-497-00 | ELECT | 470MF | 20% | 25V |
| C224 | 1-123-497-00 | ELECT | 470MF | 20% | 25V |
| C225 | 1-101-005-00 | CERAMIC | 0.022MF | | 50V |
| C270 | 1-104-230-00 | (AEP,UK).....POLYSTYRENE | 0.0024MF | 5% | 125V |
| C270 | 1-104-237-00 | (US,Canadian)...POLYSTYRENE | 0.0024MF | 5% | 125V |
| C271 | 1-123-678-00 | ELECT | 10MF | 20% | 16V |
| C272 | 1-107-037-00 | MICA | 82PF | 5% | 500V |
| C301 | 1-161-494-00 | CERAMIC | 0.022MF | 30% | 25V |
| C302 | 1-161-494-00 | CERAMIC | 0.022MF | 30% | 25V |
| C303 | 1-161-323-00 | CERAMIC | 0.001MF | 10% | 50V |
| C304 | 1-161-494-00 | CERAMIC | 0.022MF | 30% | 25V |
| C305 | 1-161-494-00 | CERAMIC | 0.022MF | 30% | 25V |
| C306 | 1-161-494-00 | CERAMIC | 0.022MF | 30% | 25V |
| C307 | 1-161-323-00 | CERAMIC | 0.001MF | 10% | 50V |
| C308 | 1-161-494-00 | CERAMIC | 0.022MF | 30% | 25V |
| C309 | 1-161-494-00 | CERAMIC | 0.022MF | 30% | 25V |
| C310 | 1-161-494-00 | CERAMIC | 0.022MF | 30% | 25V |
| C311 | 1-123-317-00 | ELECT | 22MF | 20% | 16V |
| C312 | 1-161-494-00 | CERAMIC | 0.022MF | 30% | 25V |
| C313 | 1-123-317-00 | ELECT | 22MF | 20% | 16V |
| C314 | 1-123-356-00 | ELECT | 10MF | 20% | 16V |
| C315 | 1-161-494-00 | CERAMIC | 0.022MF | 30% | 25V |
| C316 | 1-161-494-00 | CERAMIC | 0.022MF | 30% | 25V |
| C317 | 1-161-494-00 | CERAMIC | 0.022MF | 30% | 25V |
| C401 | 1-102-127-00 | CERAMIC | 0.0068MF | 10% | 50V |
| C402 | 1-102-127-00 | CERAMIC | 0.0068MF | 10% | 50V |
| C403 | 1-102-127-00 | CERAMIC | 0.0068MF | 10% | 50V |
| C404 | 1-123-354-00 | ELECT | 3.3MF | 20% | 50V |
| C405 | 1-123-356-00 | ELECT | 10MF | 20% | 16V |
| C410 | 1-123-474-00 | ELECT | 100MF | 20% | 10V |
| C411 | 1-123-356-00 | ELECT | 10MF | 20% | 16V |
| C412 | 1-123-353-00 | ELECT | 2.2MF | 20% | 50V |
| C413 | 1-161-329-00 | CERAMIC | 0.0068MF | 30% | 25V |
| C501 | 1-123-509-00 | ELECT | 2200MF | 20% | 35V |
| C502 | 1-123-682-00 | ELECT | 100MF | 20% | 16V |

ELECTRICAL PARTS

| Ref.No. | Part No. | Description | | | |
|---------|--------------|-------------------------|---------|-----|------|
| C503 | 1-123-324-00 | ELECT | 1000MF | 20% | 16V |
| C504 | 1-123-488-00 | ELECT | 1000MF | 20% | 16V |
| C505 | 1-123-486-00 | ELECT | 330MF | 20% | 16V |
| C506 | 1-123-306-00 | ELECT | 47MF | 20% | 10V |
| C507 | 1-123-487-00 | ELECT | 470MF | 20% | 16V |
| C508 | 1-123-486-00 | ELECT | 330MF | 20% | 16V |
| C509 | 1-123-306-00 | ELECT | 47MF | 20% | 10V |
| C510 | 1-123-515-00 | ELECT | 330MF | 20% | 50V |
| C511 | 1-123-513-00 | ELECT | 100MF | 20% | 50V |
| C512 | 1-123-359-00 | ELECT | 47MF | 20% | 35V |
| C513 | 1-123-515-00 | ELECT | 330MF | 20% | 50V |
| C514 | 1-123-513-00 | ELECT | 100MF | 20% | 50V |
| C515 | 1-123-359-00 | ELECT | 47MF | 20% | 35V |
| C516 | 1-123-359-00 | ELECT | 47MF | 20% | 35V |
| C517 | 1-123-682-00 | ELECT | 100MF | 20% | 16V |
| C518 | 1-123-324-00 | ELECT | 1000MF | 20% | 16V |
| C519 | 1-101-880-00 | CERAMIC | 47PF | 5% | 50V |
| C520 | 1-121-352-00 | ELECT | 47MF | 20% | 10V |
| C601 | 1-161-494-00 | CERAMIC | 0.022MF | 30% | 25V |
| C602 | 1-123-607-00 | ELECT | 0.1MF | 20% | 50V |
| C603 | 1-101-005-00 | CERAMIC | 0.022MF | | 50V |
| C604 | 1-123-359-00 | ELECT | 47MF | 20% | 35V |
| C606 | 1-101-005-00 | CERAMIC | 0.022MF | | 50V |
| C607 | 1-102-522-00 | CERAMIC | 51PF | 5% | 50V |
| C608 | 1-102-522-00 | CERAMIC | 51PF | 5% | 50V |
| C609 | 1-102-106-00 | CERAMIC | 100PF | 10% | 50V |
| C610 | 1-101-005-00 | CERAMIC | 0.022MF | | 50V |
| C611 | 1-101-005-00 | CERAMIC | 0.022MF | | 50V |
| C612 | 1-161-494-00 | CERAMIC | 0.022MF | 30% | 25V |
| C613 | 1-161-317-00 | CERAMIC | 330PF | 10% | 50V |
| C614 | 1-161-494-00 | CERAMIC | 0.022MF | 30% | 25V |
| C615 | 1-161-494-00 | CERAMIC | 0.022MF | 30% | 25V |
| C617 | 1-161-494-00 | CERAMIC | 0.022MF | 30% | 25V |
| C618 | 1-123-610-00 | ELECT | 0.47MF | 20% | 50V |
| C619 | 1-161-494-00 | CERAMIC | 0.022MF | 30% | 25V |
| C621 | 1-101-005-00 | CERAMIC | 0.022MF | | 50V |
| C701 | 1-161-494-00 | CERAMIC | 0.022MF | 30% | 25V |
| C702 | 1-161-494-00 | CERAMIC | 0.022MF | 30% | 25V |
| C703 | 1-161-494-00 | CERAMIC | 0.022MF | 30% | 25V |
| C704 | 1-161-494-00 | CERAMIC | 0.022MF | 30% | 25V |
| C705 | 1-161-494-00 | CERAMIC | 0.022MF | 30% | 25V |
| C706 | 1-161-494-00 | CERAMIC | 0.022MF | 30% | 25V |
| C707 | 1-161-494-00 | CERAMIC | 0.022MF | 30% | 25V |
| C901 | 1-161-744-00 | (AEP,UK).....CERAMIC | 0.01MF | | 400V |
| C901 | 1-161-749-00 | (US,Canadian)...CERAMIC | 0.01MF | | 125V |
| CF101 | 1-527-796-00 | FILTER, CERAMIC | | | |
| CF102 | 1-527-796-00 | FILTER, CERAMIC | | | |

NOTE:

- Items with no part number and no description are not stocked because they are seldom required for routine service.
- Items marked "▲" are not stocked since they are seldom required for routine service. Some delay should be anticipated when ordering these items.
- Due to standardization, parts with part numbers (Δ-ΔΔΔ-ΔΔΔ-XX or Δ-ΔΔΔΔ-ΔΔΔ-X) may be different from those used in the set.

CAPACITORS:

- All capacitors are in μF. Common capacitors are omitted. Refer to the following lists for their part numbers. MF: μF, PF: μμF.

RESISTORS

- All resistors are in ohms. Common 1/4W, 1/8W and 1/16W carbon resistors are omitted. Refer to the following lists for their part numbers.

- F : nonflammable

COILS

- MMH : mH, UH : μH

The components identified by shading and mark ▲ are critical for safety. Replace only with part number specified.

Les composants identifiés par une trame et une marque ▲ sont critiques pour la sécurité. Ne les remplacer que par une pièce portant le numéro spécifié.

SEMICONDUCTORS

In each case, U : μ, for example:
 UA... : μA... , UPA... : μPA... , UPC... : μPC,
 UPD... : μPD...

ELECTRICAL PARTS

| Ref.No. | Part No. | Description |
|---------|--------------|-------------------------------------|
| CF103 | 1-527-796-00 | FILTER, CERAMIC |
| CF104 | 1-527-796-00 | FILTER, CERAMIC |
| CF301 | 1-567-092-00 | FILTER, CERAMIC |
| CNJ701 | 1-507-829-00 | (US,Canadian)...JACK, EIAJ (F TYPE) |
| CNJ701 | 1-507-829-00 | (AEP,UK).....PLUG, CONNECTOR (PAL) |
| CNJ702 | 1-507-829-00 | (US,Canadian)...JACK, EIAJ (F TYPE) |
| CNJ702 | 1-564-235-00 | (AEP,UK).....PLUG, CONNECTOR (PAL) |
| CNJ903 | 1-561-598-21 | SOCKET 4P |
| CP501 | 1-102-394-00 | CERAMIC 250V |
| CP502 | 1-102-394-00 | CERAMIC 250V |
| CP503 | 1-102-394-00 | CERAMIC 250V |
| CP504 | 1-102-394-00 | CERAMIC 250V |
| CP505 | 1-102-394-00 | CERAMIC 250V |
| CP602 | 1-231-849-00 | COMPOSITION CIRCUIT BLOCK |
| CP605 | 1-231-619-00 | COMPOSITION CIRCUIT BLOCK |
| CP606 | 1-231-619-00 | COMPOSITION CIRCUIT BLOCK |
| CP608 | 1-231-620-00 | COMPOSITION CIRCUIT BLOCK |
| D101 | 8-719-815-55 | DIODE 1S1555 |
| D102 | 8-719-815-55 | DIODE 1S1555 |
| D103 | 8-719-815-55 | DIODE 1S1555 |
| D104 | 8-719-815-55 | DIODE 1S1555 |
| D201 | 8-719-815-55 | DIODE 1S1555 |
| D202 | 8-719-815-55 | DIODE 1S1555 |
| D203 | 8-719-815-55 | DIODE 1S1555 |
| D204 | 8-719-815-55 | DIODE 1S1555 |
| D301 | 8-719-422-21 | DIODE 1T22AM |
| D302 | 8-719-422-21 | DIODE 1T22AM |
| D303 | 8-719-422-21 | DIODE 1T22AM |
| D304 | 8-719-422-21 | DIODE 1T22AM |
| D305 | 8-719-026-11 | DIODE 1T261 |
| D306 | 8-719-026-11 | DIODE 1T261 |
| D307 | 8-719-815-55 | DIODE 1S1555 |
| D401 | 8-719-815-55 | DIODE 1S1555 |
| D402 | 8-719-815-55 | DIODE 1S1555 |
| D403 | 8-719-815-55 | DIODE 1S1555 |
| D404 | 8-719-815-55 | DIODE 1S1555 |
| D405 | 8-719-910-78 | DIODE HZ7C2L |
| D501 | 8-719-210-12 | DIODE 10DF2 |
| D502 | 8-719-210-12 | DIODE 10DF2 |
| D503 | 8-719-200-02 | DIODE 10E-2 |
| D504 | 8-719-200-02 | DIODE 10E-2 |
| D505 | 8-719-200-02 | DIODE 10E-2 |
| D506 | 8-719-200-02 | DIODE 10E-2 |
| D507 | 8-719-200-02 | DIODE 10E-2 |

ELECTRICAL PARTS

| Ref.No. | Part No. | Description |
|---------|--------------|-----------------------------|
| D508 | 8-719-200-02 | DIODE 10E-2 |
| D509 | 8-719-210-12 | DIODE 10DF2 |
| D510 | 8-719-210-12 | DIODE 10DF2 |
| D511 | 8-719-910-64 | DIODE HZ6B1L |
| D512 | 8-719-910-64 | DIODE HZ6B1L |
| D513 | 8-719-910-64 | DIODE HZ6B1L |
| D514 | 8-719-913-02 | DIODE HZ30-2L |
| D515 | 8-719-913-02 | DIODE HZ30-2L |
| D516 | 8-719-901-62 | DIODE HZ16-2L |
| D517 | 8-719-931-06 | DIODE EQB01-06 |
| D518 | 8-719-910-64 | DIODE HZ6B1L |
| D601 | 8-719-815-55 | DIODE 1S1555 |
| D602 | 8-719-815-55 | DIODE 1S1555 |
| D603 | 8-719-815-55 | DIODE 1S1555 |
| D604 | 8-719-815-55 | DIODE 1S1555 |
| D605 | 8-719-815-55 | DIODE 1S1555 |
| D606 | 8-719-815-55 | DIODE 1S1555 |
| D607 | 8-719-815-55 | DIODE 1S1555 |
| D608 | 8-719-815-55 | DIODE 1S1555 |
| D609 | 8-719-815-55 | DIODE 1S1555 |
| D610 | 8-719-815-55 | DIODE 1S1555 |
| D701 | 8-719-100-02 | DIODE 1S2222 |
| D702 | 8-719-100-02 | DIODE 1S2222 |
| D703 | 8-719-100-02 | DIODE 1S2222 |
| D704 | 8-719-100-02 | DIODE 1S2222 |
| D801 | 8-719-815-55 | DIODE 1S1555 |
| D802 | 8-719-815-55 | DIODE 1S1555 |
| D803 | 8-719-815-55 | DIODE 1S1555 |
| D804 | 8-719-815-55 | DIODE 1S1555 |
| D805 | 8-719-815-55 | DIODE 1S1555 |
| D806 | 8-719-815-55 | DIODE 1S1555 |
| D807 | 8-719-815-55 | DIODE 1S1555 |
| D808 | 8-719-815-55 | DIODE 1S1555 |
| D809 | 8-719-815-55 | DIODE 1S1555 |
| D810 | 8-719-815-55 | DIODE 1S1555 |
| D811 | 8-719-815-55 | DIODE 1S1555 |
| D812 | 8-719-815-55 | DIODE 1S1555 |
| D813 | 8-719-815-55 | DIODE 1S1555 |
| D901 | 8-719-815-55 | DIODE 1S1555 |
| FE101 | A-4344-032-A | FRONT END (FEE-005W) |
| FLT801 | 1-519-278-00 | INDICATOR TUBE, FLUORESCENT |
| IC101 | 8-759-812-35 | IC LA1235 |
| IC102 | 8-759-111-63 | IC UPC1163H |
| IC103 | 8-759-907-01 | IC TL07CP |

NOTE:

- Items with no part number and no description are not stocked because they are seldom required for routine service.
- Items marked "●" are not stocked since they are seldom required for routine service. Some delay should be anticipated when ordering these items.
- Due to standardization, parts with part numbers (Δ-ΔΔΔ-ΔΔΔ-XX or Δ-ΔΔΔΔ-ΔΔΔ-X) may be different from those used in the set.

CAPACITORS:

- All capacitors are in μF. Common capacitors are omitted. Refer to the following lists for their part numbers. MF:μF, PF:μμF.

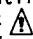
RESISTORS


- All resistors are in ohms. Common 1/4W, 1/8W and 1/16W carbon resistors are omitted. Refer to the following lists for their part numbers.

- F : nonflammable

COILS

- MMH : mH, UH : μH

The components identified by shading and mark  are critical for safety. Replace only with part number specified.

Les composants identifiés par une trame et une marque  sont critiques pour la sécurité. Ne les remplacer que par une pièce portant le numéro spécifié.

SEMICONDUCTORS

In each case, U : μ, for example:
 UA... : μA..., UPA... : μPA..., UPC... : μPC,
 UPD... : μPD...

ELECTRICAL PARTS

| Ref.No. | Part No. | Description |
|---------|----------------|------------------------------------|
| IC201 | 8-759-100-14 | IC UPC1223C |
| IC202 | 8-759-240-66 | IC TC4066BP |
| IC203 | 8-759-990-72 | IC TL072CP |
| IC204 | 8-759-900-72 | IC NE5532P |
| IC301 | 8-759-906-38 | IC TL490C |
| IC601 | 8-759-617-78 | IC CX778A |
| IC602 | 8-759-611-00 | IC CX761A |
| IC603 | 8-759-101-08 | IC UPD553C225 |
| IC604 | 8-759-140-11 | IC UPD4011BC |
| IC605 | 8-759-990-23 | IC TMS1024N2L |
| IC606 | 8-759-645-17 | IC M54517P |
| IC607 | 8-759-140-49 | IC UPD4049C |
| IFT101 | 1-404-312-00 | TRANSFORMER, IF |
| IFT102 | 1-404-250-00 | TRANSFORMER, DISCRIMINATOR |
| JW50 | ♣;1-564-188-00 | BAR, BUS |
| JW51 | ♣;1-564-188-00 | BAR, BUS |
| JW52 | ♣;1-564-188-00 | BAR, BUS |
| JW53 | ♣;1-564-188-00 | BAR, BUS |
| L101 | 1-407-169-XX | MICRO INDUCTOR 100UH |
| L102 | 1-407-169-XX | MICRO INDUCTOR 100UH |
| L103 | 1-407-169-XX | MICRO INDUCTOR 100UH |
| L104 | 1-407-165-XX | MICRO INDUCTOR 47UH |
| L201 | 1-426-092-00 | COIL, (ALIGNMENT) |
| L601 | 1-407-169-XX | MICRO INDUCTOR 100UH |
| LPF101 | 1-231-422-00 | FILTER, LOWPASS |
| LPF201 | 1-231-421-00 | FILTER, LOWPASS |
| LPF251 | 1-231-421-00 | FILTER, LOWPASS |
| PL801 | 1-518-518-00 | LAMP, PILOT |
| PL802 | 1-518-518-00 | LAMP, PILOT |
| PL803 | 1-518-518-00 | LAMP, PILOT |
| PL804 | 1-518-518-00 | LAMP, PILOT |
| PL805 | 1-518-518-00 | LAMP, PILOT |
| PL806 | 1-518-518-00 | LAMP, PILOT |
| PL807 | 1-518-518-00 | LAMP, PILOT |
| PL808 | 1-518-518-00 | LAMP, PILOT |
| PT901A | 1-447-565-00 | (US,Canadian)...TRANSFORMER, POWER |
| PT901B | 1-447-566-00 | (AEP,UK).....TRANSFORMER, POWER |
| Q101 | 8-729-671-14 | TRANSISTOR 2SC710-14 |
| Q102 | 8-729-671-14 | TRANSISTOR 2SC710-14 |
| Q103 | 8-729-671-14 | TRANSISTOR 2SC710-14 |
| Q104 | 8-729-671-14 | TRANSISTOR 2SC710-14 |
| Q105 | 8-729-671-14 | TRANSISTOR 2SC710-14 |
| Q106 | 8-729-671-14 | TRANSISTOR 2SC710-14 |
| Q107 | 8-729-245-83 | TRANSISTOR 2SC2458 |
| Q108 | 8-729-245-83 | TRANSISTOR 2SC2458 |
| Q109 | 8-729-671-14 | TRANSISTOR 2SC710-14 |

NOTE:

- Items with no part number and no description are not stocked because they are seldom required for routine service.
- Items marked "♣" are not stocked since they are seldom required for routine service. Some delay should be anticipated when ordering these items.
- Due to standardization, parts with part numbers (Δ-ΔΔΔ-ΔΔΔ-XX or Δ-ΔΔΔΔ-ΔΔΔ-X) may be different from those used in the set.

CAPACITORS:

- All capacitors are in μF. Common capacitors are omitted. Refer to the following lists for their part numbers. MF: μF, PF: μμF.

RESISTORS

- All resistors are in ohms. Common 1/4W, 1/8W and 1/16W carbon resistors are omitted. Refer to the following lists for their part numbers.

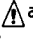
- F : nonflammable


COILS

- MMH : mH, UH : μH

ELECTRICAL PARTS

| Ref.No. | Part No. | Description |
|---------|--------------|----------------------|
| Q110 | 8-729-245-83 | TRANSISTOR 2SC2458 |
| Q111 | 8-729-245-83 | TRANSISTOR 2SC2458 |
| Q112 | 8-729-245-83 | TRANSISTOR 2SC2458 |
| Q113 | 8-729-245-83 | TRANSISTOR 2SC2458 |
| Q114 | 8-729-245-83 | TRANSISTOR 2SC2458 |
| Q115 | 8-729-671-14 | TRANSISTOR 2SC710-14 |
| Q116 | 8-729-663-47 | TRANSISTOR 2SC1364 |
| Q201 | 8-729-204-82 | TRANSISTOR 2SA1048 |
| Q202 | 8-729-203-04 | TRANSISTOR 2SK30A |
| Q301 | 8-729-671-14 | TRANSISTOR 2SC710-14 |
| Q302 | 8-729-671-14 | TRANSISTOR 2SC710-14 |
| Q303 | 8-729-671-14 | TRANSISTOR 2SC710-14 |
| Q304 | 8-729-245-83 | TRANSISTOR 2SC2458 |
| Q305 | 8-729-245-83 | TRANSISTOR 2SC2458 |
| Q306 | 8-729-245-83 | TRANSISTOR 2SC2458 |
| Q311 | 8-729-204-82 | TRANSISTOR 2SA1048 |
| Q312 | 8-729-204-82 | TRANSISTOR 2SA1048 |
| Q313 | 8-729-204-82 | TRANSISTOR 2SA1048 |
| Q314 | 8-729-204-82 | TRANSISTOR 2SA1048 |
| Q315 | 8-729-204-82 | TRANSISTOR 2SA1048 |
| Q316 | 8-729-204-82 | TRANSISTOR 2SA1048 |
| Q317 | 8-729-204-82 | TRANSISTOR 2SA1048 |
| Q318 | 8-729-204-82 | TRANSISTOR 2SA1048 |
| Q319 | 8-729-204-82 | TRANSISTOR 2SA1048 |
| Q320 | 8-729-204-82 | TRANSISTOR 2SA1048 |
| Q401 | 8-729-201-83 | TRANSISTOR 2SC3112 |
| Q402 | 8-729-245-83 | TRANSISTOR 2SC2458 |
| Q403 | 8-729-663-47 | TRANSISTOR 2SC1364 |
| Q404 | 8-729-245-83 | TRANSISTOR 2SC2458 |
| Q405 | 8-729-245-83 | TRANSISTOR 2SC2458 |
| Q406 | 8-729-204-82 | TRANSISTOR 2SA1048 |
| Q407 | 8-729-245-83 | TRANSISTOR 2SC2458 |
| Q408 | 8-729-245-83 | TRANSISTOR 2SC2458 |
| Q409 | 8-729-204-82 | TRANSISTOR 2SA1048 |
| Q410 | 8-729-113-32 | TRANSISTOR 2SB733 |
| Q411 | 8-729-245-83 | TRANSISTOR 2SC2458 |
| Q501 | 8-729-331-53 | TRANSISTOR 2SC1983 |
| Q502 | 8-729-245-83 | TRANSISTOR 2SC2458 |
| Q503 | 8-729-245-83 | TRANSISTOR 2SC2458 |
| Q504 | 8-729-224-61 | TRANSISTOR 2SK246 |
| Q505 | 8-729-398-62 | TRANSISTOR 2SC1826 |
| Q506 | 8-729-113-32 | TRANSISTOR 2SB733 |
| Q507 | 8-729-117-43 | TRANSISTOR 2SD774 |
| Q508 | 8-729-377-12 | TRANSISTOR 2SA768 |
| Q509 | 8-729-103-43 | TRANSISTOR 2SB734 |
| Q510 | 8-729-244-61 | TRANSISTOR 2SK246 |
| Q511 | 8-729-177-43 | TRANSISTOR 2SD774 |

The components identified by shading and mark  are critical for safety. Replace only with part number specified.

Les composants identifiés par une trame et une marque  sont critiques pour la sécurité. Ne les remplacer que par une pièce portant le numéro spécifié.

SEMICONDUCTORS

In each case, U : μ, for example:
 UA... : μA... , UPA... : μPA... , UPC... : μPC,
 UPD... : μPD...

ELECTRICAL PARTS

| Ref.No. | Part No. | Description |
|---------|--------------|-----------------------|
| Q601 | 8-729-203-05 | TRANSISTOR 2SK30A-GR3 |
| Q602 | 8-729-664-48 | TRANSISTOR 2SC1362-48 |
| Q605 | 8-729-245-83 | TRANSISTOR 2SC2458 |
| Q606 | 8-729-245-83 | TRANSISTOR 2SC2458 |
| Q607 | 8-729-245-83 | TRANSISTOR 2SC2458 |
| Q608 | 8-729-204-82 | TRANSISTOR 2SA1048 |
| Q609 | 8-729-204-82 | TRANSISTOR 2SA1048 |
| Q610 | 8-729-204-82 | TRANSISTOR 2SA1048 |
| Q611 | 8-729-204-82 | TRANSISTOR 2SA1048 |
| Q612 | 8-729-204-82 | TRANSISTOR 2SA1048 |
| Q613 | 8-729-204-82 | TRANSISTOR 2SA1048 |
| Q614 | 8-729-204-82 | TRANSISTOR 2SA1048 |
| Q615 | 8-729-204-82 | TRANSISTOR 2SA1048 |
| Q616 | 8-729-204-82 | TRANSISTOR 2SA1048 |
| Q617 | 8-729-204-82 | TRANSISTOR 2SA1048 |
| Q618 | 8-729-204-82 | TRANSISTOR 2SA1048 |
| Q619 | 8-729-204-82 | TRANSISTOR 2SA1048 |
| Q620 | 8-729-204-82 | TRANSISTOR 2SA1048 |
| Q621 | 8-729-204-82 | TRANSISTOR 2SA1048 |
| Q622 | 8-729-204-82 | TRANSISTOR 2SA1048 |
| Q623 | 8-729-204-82 | TRANSISTOR 2SA1048 |
| Q624 | 8-729-663-47 | TRANSISTOR 2SC1364 |
| Q630 | 8-729-245-83 | TRANSISTOR 2SC2458 |
| Q631 | 8-729-245-83 | TRANSISTOR 2SC2458 |
| Q632 | 8-729-245-83 | TRANSISTOR 2SC2458 |
| Q633 | 8-729-245-83 | TRANSISTOR 2SC2458 |
| Q701 | 8-729-902-11 | TRANSISTOR 2SC2021 |
| Q702 | 8-729-902-11 | TRANSISTOR 2SC2021 |
| Q703 | 8-729-902-11 | TRANSISTOR 2SC2021 |
| Q704 | 8-729-902-11 | TRANSISTOR 2SC2021 |
| R101 | 1-246-473-00 | CARBON 1K 5% 1/4W |
| R102 | 1-246-441-00 | CARBON 47 5% 1/4W |
| R103 | 1-246-461-00 | CARBON 330 5% 1/4W |
| R104 | 1-246-461-00 | CARBON 330 5% 1/4W |
| R105 | 1-246-461-00 | CARBON 330 5% 1/4W |
| R106 | 1-246-507-00 | CARBON 27K 5% 1/4W |
| R107 | 1-246-465-00 | CARBON 470 5% 1/4W |
| R108 | 1-246-501-00 | CARBON 15K 5% 1/4W |
| R109 | 1-246-461-00 | CARBON 330 5% 1/4W |
| R110 | 1-246-465-00 | CARBON 470 5% 1/4W |
| R111 | 1-246-461-00 | CARBON 330 5% 1/4W |
| R112 | 1-246-467-00 | CARBON 560 5% 1/4W |
| R113 | 1-246-507-00 | CARBON 27K 5% 1/4W |
| R114 | 1-246-501-00 | CARBON 15K 5% 1/4W |
| R115 | 1-246-461-00 | CARBON 330 5% 1/4W |

ELECTRICAL PARTS

| Ref.No. | Part No. | Description | | | |
|---------|----------------|-------------|------|----|--------|
| R116 | 1-246-461-00 | CARBON | 330 | 5% | 1/4W |
| R117 | 1-246-507-00 | CARBON | 27K | 5% | 1/4W |
| R118 | 1-246-477-00 | CARBON | 1.5K | 5% | 1/4W |
| R119 | 1-246-501-00 | CARBON | 15K | 5% | 1/4W |
| R120 | 1-246-515-00 | CARBON | 56K | 5% | 1/4W |
| R121 | 1-246-497-00 | CARBON | 10K | 5% | 1/4W |
| R122 | 1-246-485-00 | CARBON | 3.3K | 5% | 1/4W |
| R123 | 1-246-485-00 | CARBON | 3.3K | 5% | 1/4W |
| R124 | 1-246-501-00 | CARBON | 15K | 5% | 1/4W |
| R125 | 1-246-461-00 | CARBON | 330 | 5% | 1/4W |
| R126 | 1-246-521-00 | CARBON | 100K | 5% | 1/4W |
| R127 | 1-246-493-00 | CARBON | 6.8K | 5% | 1/4W |
| R128 | 1-246-497-00 | CARBON | 10K | 5% | 1/4W |
| R129 | 1-246-425-00 | CARBON | 10 | 5% | 1/4W |
| R130 | 1-246-481-00 | CARBON | 2.2K | 5% | 1/4W |
| R131 | ▲ 1-247-109-00 | CARBON | 120 | 5% | 1/4W F |
| R132 | 1-246-513-00 | CARBON | 47K | 5% | 1/4W |
| R133 | 1-246-515-00 | CARBON | 56K | 5% | 1/4W |
| R134 | 1-246-483-00 | CARBON | 2.7K | 5% | 1/4W |
| R135 | 1-246-463-00 | CARBON | 390 | 5% | 1/4W |
| R136 | 1-246-457-00 | CARBON | 220 | 5% | 1/4W |
| R137 | 1-246-477-00 | CARBON | 1.5K | 5% | 1/4W |
| R138 | 1-246-477-00 | CARBON | 1.5K | 5% | 1/4W |
| R139 | 1-246-491-00 | CARBON | 5.6K | 5% | 1/4W |
| R140 | 1-246-491-00 | CARBON | 5.6K | 5% | 1/4W |
| R141 | 1-214-755-00 | METAL | 12K | 1% | 1/4W |
| R142 | 1-214-746-00 | METAL | 5.1K | 1% | 1/4W |
| R143 | 1-214-745-00 | METAL | 4.7K | 1% | 1/4W |
| R144 | 1-246-525-00 | CARBON | 150K | 5% | 1/4W |
| R145 | 1-246-513-00 | CARBON | 47K | 5% | 1/4W |
| R146 | 1-214-752-00 | METAL | 9.1K | 1% | 1/4W |
| R147 | 1-247-855-00 | CARBON | 10K | 5% | 1/6W |
| R148 | 1-247-873-00 | CARBON | 56K | 5% | 1/6W |
| R149 | 1-246-497-00 | CARBON | 10K | 5% | 1/4W |
| R150 | 1-246-505-00 | CARBON | 22K | 5% | 1/4W |
| R151 | 1-246-497-00 | CARBON | 10K | 5% | 1/4W |
| R152 | 1-246-513-00 | CARBON | 47K | 5% | 1/4W |
| R153 | 1-246-497-00 | CARBON | 10K | 5% | 1/4W |
| R160 | 1-246-521-00 | CARBON | 100K | 5% | 1/4W |
| R161 | 1-246-545-00 | CARBON | 1M | 5% | 1/4W |
| R162 | 1-246-529-00 | CARBON | 220K | 5% | 1/4W |
| R163 | 1-246-545-00 | CARBON | 1M | 5% | 1/4W |
| R164 | 1-246-545-00 | CARBON | 1M | 5% | 1/4W |
| R165 | 1-246-537-00 | CARBON | 470K | 5% | 1/4W |
| R167 | 1-246-521-00 | CARBON | 100K | 5% | 1/4W |

NOTE:

- Items with no part number and no description are not stocked because they are seldom required for routine service.
- Items marked "▲" are not stocked since they are seldom required for routine service. Some delay should be anticipated when ordering these items.
- Due to standardization, parts with part numbers (▲-△△△-△△△-XX or ▲-△△△△-△△△-X) may be different from those used in the set.

CAPACITORS:

- All capacitors are in μF . Common capacitors are omitted. Refer to the following lists for their part numbers. MF: μF , PF: $\mu\mu\text{F}$.

RESISTORS

- All resistors are in ohms. Common 1/4W, 1/8W and 1/16W carbon resistors are omitted. Refer to the following lists for their part numbers.

• F : nonflammable

COILS

- MMH : mH, UH : μH

The components identified by shading and mark ▲ are critical for safety. Replace only with part number specified.

Les composants identifiés par une trame et une marque ▲ sont critiques pour la sécurité. Ne les remplacer que par une pièce portant le numéro spécifié.

SEMICONDUCTORS

In each case, U : μ , for example:
 UA... : μA ..., UPA... : μPA ..., UPC... : μPC ,
 UPD... : μPD ...

ELECTRICAL PARTS

| Ref.No. | Part No. | Description | | | | |
|---------|----------------|-------------|------|----|------|---|
| R169 | 1-246-449-00 | CARBON | 100 | 5% | 1/4W | |
| R170 | 1-246-467-00 | CARBON | 560 | 5% | 1/4W | |
| R171 | 1-246-497-00 | CARBON | 10K | 5% | 1/4W | |
| R201 | △.1-247-109-00 | CARBON | 120 | 5% | 1/4W | F |
| R202 | 1-214-156-00 | METAL | 10K | 1% | 1/4W | |
| R203 | 1-214-156-00 | METAL | 10K | 1% | 1/4W | |
| R204 | 1-214-163-00 | METAL | 20K | 1% | 1/4W | |
| R205 | 1-246-467-00 | CARBON | 560 | 5% | 1/4W | |
| R206 | 1-247-823-00 | CARBON | 470 | 5% | 1/6W | |
| R207 | 1-214-178-00 | METAL | 82K | 1% | 1/4W | |
| R208 | 1-214-759-00 | METAL | 18K | 1% | 1/4W | |
| R209 | 1-246-493-00 | CARBON | 6.8K | 5% | 1/4W | |
| R210 | 1-214-168-00 | METAL | 33K | 1% | 1/4W | |
| R211 | 1-214-167-00 | METAL | 30K | 1% | 1/4W | |
| R212 | 1-214-144-00 | METAL | 3.3K | 1% | 1/4W | |
| R213 | 1-214-746-00 | METAL | 5.1K | 1% | 1/4W | |
| R214 | 1-246-545-00 | CARBON | 1M | 5% | 1/4W | |
| R215 | 1-214-888-00 | METAL | 10K | 1% | 1/2W | |
| R216 | 1-214-859-00 | METAL | 620 | 1% | 1/2W | |
| R217 | 1-214-862-00 | METAL | 820 | 1% | 1/2W | |
| R218 | 1-214-862-00 | METAL | 820 | 1% | 1/2W | |
| R219 | 1-214-859-00 | METAL | 620 | 1% | 1/2W | |
| R220 | 1-247-873-00 | CARBON | 56K | 5% | 1/6W | |
| R221 | 1-247-863-00 | CARBON | 22K | 5% | 1/6W | |
| R222 | 1-246-457-00 | CARBON | 220 | 5% | 1/4W | |
| R223 | 1-246-473-00 | CARBON | 1K | 5% | 1/4W | |
| R224 | △.1-247-107-00 | CARBON | 100 | 5% | 1/4W | F |
| R225 | △.1-247-107-00 | CARBON | 100 | 5% | 1/4W | F |
| R226 | △.1-247-107-00 | CARBON | 100 | 5% | 1/4W | F |
| R227 | △.1-247-107-00 | CARBON | 100 | 5% | 1/4W | F |
| R228 | 1-246-545-00 | CARBON | 1M | 5% | 1/4W | |
| R229 | 1-246-505-00 | CARBON | 22K | 5% | 1/4W | |
| R230 | 1-214-888-00 | METAL | 10K | 1% | 1/2W | |
| R231 | 1-246-525-00 | CARBON | 150K | 5% | 1/4W | |
| R260 | 1-214-168-00 | METAL | 33K | 1% | 1/4W | |
| R261 | 1-214-167-00 | METAL | 30K | 1% | 1/4W | |
| R262 | 1-214-144-00 | METAL | 3.3K | 1% | 1/4W | |
| R263 | 1-214-746-00 | METAL | 5.1K | 1% | 1/4W | |
| R265 | 1-214-888-00 | METAL | 10K | 1% | 1/2W | |
| R266 | 1-214-859-00 | METAL | 620 | 1% | 1/2W | |
| R267 | 1-214-862-00 | METAL | 820 | 1% | 1/2W | |
| R268 | 1-214-862-00 | METAL | 820 | 1% | 1/2W | |
| R269 | 1-214-859-00 | METAL | 620 | 1% | 1/2W | |
| R280 | 1-214-888-00 | METAL | 10K | 1% | 1/2W | |
| R301 | 1-246-513-00 | CARBON | 47K | 5% | 1/4W | |

ELECTRICAL PARTS

| Ref.No. | Part No. | Description | | | | |
|---------|----------------|-------------|------|----|------|---|
| R302 | 1-246-501-00 | CARBON | 15K | 5% | 1/4W | |
| R303 | 1-246-469-00 | CARBON | 680 | 5% | 1/4W | |
| R304 | 1-246-497-00 | CARBON | 10K | 5% | 1/4W | |
| R305 | 1-246-505-00 | CARBON | 22K | 5% | 1/4W | |
| R306 | 1-246-483-00 | CARBON | 2.7K | 5% | 1/4W | |
| R307 | 1-246-461-00 | CARBON | 330 | 5% | 1/4W | |
| R308 | 1-246-497-00 | CARBON | 10K | 5% | 1/4W | |
| R309 | 1-246-505-00 | CARBON | 22K | 5% | 1/4W | |
| R310 | 1-246-491-00 | CARBON | 5.6K | 5% | 1/4W | |
| R311 | 1-246-461-00 | CARBON | 330 | 5% | 1/4W | |
| R312 | 1-246-441-00 | CARBON | 47 | 5% | 1/4W | |
| R313 | △.1-247-111-00 | CARBON | 150 | 5% | 1/4W | F |
| R314 | 1-246-461-00 | CARBON | 330 | 5% | 1/4W | |
| R320 | △.1-247-113-00 | CARBON | 180 | 5% | 1/4W | F |
| R321 | 1-246-466-00 | CARBON | 510 | 5% | 1/4W | |
| R322 | 1-247-855-00 | CARBON | 10K | 5% | 1/6W | |
| R323 | 1-247-839-00 | CARBON | 2.2K | 5% | 1/6W | |
| R324 | 1-247-879-00 | CARBON | 100K | 5% | 1/6W | |
| R325 | 1-247-855-00 | CARBON | 10K | 5% | 1/6W | |
| R326 | 1-247-839-00 | CARBON | 2.2K | 5% | 1/6W | |
| R327 | 1-247-879-00 | CARBON | 100K | 5% | 1/6W | |
| R328 | 1-247-855-00 | CARBON | 10K | 5% | 1/6W | |
| R329 | 1-247-839-00 | CARBON | 2.2K | 5% | 1/6W | |
| R330 | 1-247-879-00 | CARBON | 100K | 5% | 1/6W | |
| R331 | 1-247-855-00 | CARBON | 10K | 5% | 1/6W | |
| R332 | 1-247-839-00 | CARBON | 2.2K | 5% | 1/6W | |
| R333 | 1-247-879-00 | CARBON | 100K | 5% | 1/6W | |
| R334 | 1-247-855-00 | CARBON | 10K | 5% | 1/6W | |
| R335 | 1-247-839-00 | CARBON | 2.2K | 5% | 1/6W | |
| R336 | 1-247-879-00 | CARBON | 100K | 5% | 1/6W | |
| R337 | 1-247-855-00 | CARBON | 10K | 5% | 1/6W | |
| R338 | 1-247-839-00 | CARBON | 2.2K | 5% | 1/6W | |
| R339 | 1-247-879-00 | CARBON | 100K | 5% | 1/6W | |
| R340 | 1-247-855-00 | CARBON | 10K | 5% | 1/6W | |
| R341 | 1-247-839-00 | CARBON | 2.2K | 5% | 1/6W | |
| R342 | 1-247-879-00 | CARBON | 100K | 5% | 1/6W | |
| R343 | 1-247-855-00 | CARBON | 10K | 5% | 1/6W | |
| R344 | 1-247-839-00 | CARBON | 2.2K | 5% | 1/6W | |
| R345 | 1-247-879-00 | CARBON | 100K | 5% | 1/6W | |
| R346 | 1-247-855-00 | CARBON | 10K | 5% | 1/6W | |
| R347 | 1-247-839-00 | CARBON | 2.2K | 5% | 1/6W | |
| R348 | 1-247-879-00 | CARBON | 100K | 5% | 1/6W | |
| R349 | 1-247-855-00 | CARBON | 10K | 5% | 1/6W | |
| R350 | 1-247-839-00 | CARBON | 2.2K | 5% | 1/6W | |
| R351 | 1-247-879-00 | CARBON | 100K | 5% | 1/6W | |

NOTE:

- Items with no part number and no description are not stocked because they are seldom required for routine service.
- Items marked "▲" are not stocked since they are seldom required for routine service. Some delay should be anticipated when ordering these items.
- Due to standardization, parts with part numbers (Δ-ΔΔΔ-ΔΔΔ-XX or Δ-ΔΔΔΔ-ΔΔΔ-X) may be different from those used in the set.

CAPACITORS:

- All capacitors are in μF. Common capacitors are omitted. Refer to the following lists for their part numbers. MF:μF, PF:μμF.

RESISTORS

- All resistors are in ohms. Common 1/4W, 1/8W and 1/16W carbon resistors are omitted. Refer to the following lists for their part numbers.
- F : nonflammable

COILS

- MMH : mH, UH : μH

The components identified by shading and mark ▲ are critical for safety. Replace only with part number specified.

Les composants identifiés par une trame et une marque ▲ sont critiques pour la sécurité. Ne les remplacer que par une pièce portant le numéro spécifié.

SEMICONDUCTORS

In each case, U : μ, for example:
 UA...: μA..., UPA...: μPA..., UPC...: μPC,
 UPD...: μPD...

ELECTRICAL PARTS

| Ref.No. | Part No. | Description | | | |
|---------|----------------|-------------|------|----|--------|
| R355 | 1-246-513-00 | CARBON | 47K | 5% | 1/4W |
| R356 | 1-246-497-00 | CARBON | 10K | 5% | 1/4W |
| R357 | 1-246-501-00 | CARBON | 15K | 5% | 1/4W |
| R401 | 1-246-521-00 | CARBON | 100K | 5% | 1/4W |
| R402 | 1-246-479-00 | CARBON | 1.8K | 5% | 1/4W |
| R403 | 1-246-487-00 | CARBON | 3.9K | 5% | 1/4W |
| R404 | 1-246-505-00 | CARBON | 22K | 5% | 1/4W |
| R405 | 1-246-509-00 | CARBON | 33K | 5% | 1/4W |
| R406 | 1-246-509-00 | CARBON | 33K | 5% | 1/4W |
| R407 | 1-246-513-00 | CARBON | 47K | 5% | 1/4W |
| R408 | 1-246-485-00 | CARBON | 3.3K | 5% | 1/4W |
| R409 | 1-247-871-00 | CARBON | 47K | 5% | 1/6W |
| R410 | 1-246-521-00 | CARBON | 100K | 5% | 1/4W |
| R411 | 1-246-489-00 | CARBON | 4.7K | 5% | 1/4W |
| R412 | 1-246-489-00 | CARBON | 4.7K | 5% | 1/4W |
| R413 | 1-246-537-00 | CARBON | 470K | 5% | 1/4W |
| R414 | 1-246-503-00 | CARBON | 18K | 5% | 1/4W |
| R415 | 1-246-489-00 | CARBON | 4.7K | 5% | 1/4W |
| R416 | 1-246-515-00 | CARBON | 56K | 5% | 1/4W |
| R417 | 1-246-513-00 | CARBON | 47K | 5% | 1/4W |
| R418 | 1-246-497-00 | CARBON | 10K | 5% | 1/4W |
| R419 | 1-246-513-00 | CARBON | 47K | 5% | 1/4W |
| R420 | 1-246-511-00 | CARBON | 39K | 5% | 1/4W |
| R421 | 1-246-481-00 | CARBON | 2.2K | 5% | 1/4W |
| R422 | 1-246-505-00 | CARBON | 22K | 5% | 1/4W |
| R423 | 1-246-483-00 | CARBON | 2.7K | 5% | 1/4W |
| R424 | 1-246-511-00 | CARBON | 39K | 5% | 1/4W |
| R425 | 1-246-473-00 | CARBON | 1K | 5% | 1/4W |
| R426 | 1-246-497-00 | CARBON | 10K | 5% | 1/4W |
| R427 | 1-246-511-00 | CARBON | 39K | 5% | 1/4W |
| R428 | △.1-206-640-00 | METAL OXIDE | 100 | 5% | 2W F |
| R429 | 1-246-483-00 | CARBON | 2.7K | 5% | 1/4W |
| R501 | △.1-247-188-00 | CARBON | 4.7 | 5% | 1/2W F |
| R502 | 1-246-497-00 | CARBON | 10K | 5% | 1/4W |
| R503 | 1-246-489-00 | CARBON | 4.7K | 5% | 1/4W |
| R504 | 1-246-485-00 | CARBON | 3.3K | 5% | 1/4W |
| R505 | △.1-247-085-00 | CARBON | 12 | 5% | 1/4W F |
| R506 | △.1-247-129-00 | CARBON | 820 | 5% | 1/4W F |
| R507 | 1-246-471-00 | CARBON | 820 | 5% | 1/4W |
| R508 | △.1-247-097-00 | CARBON | 39 | 5% | 1/4W F |
| R509 | △.1-247-129-00 | CARBON | 820 | 5% | 1/4W F |
| R510 | 1-246-471-00 | CARBON | 820 | 5% | 1/4W |
| R511 | △.1-247-097-00 | CARBON | 39 | 5% | 1/4W F |
| R512 | △.1-247-137-00 | CARBON | 1.8K | 5% | 1/4W F |
| R513 | 1-246-479-00 | CARBON | 1.8K | 5% | 1/4W |

ELECTRICAL PARTS

| Ref.No. | Part No. | Description | | | | |
|---------|----------------|-----------------------|------|-----|--------|--|
| R514 | △.1-247-097-00 | CARBON | 39 | 5% | 1/4W F | |
| R515 | △.1-247-137-00 | CARBON | 1.8K | 5% | 1/4W F | |
| R516 | 1-246-479-00 | CARBON | 1.8K | 5% | 1/4W | |
| R517 | 1-246-497-00 | CARBON | 10K | 5% | 1/4W | |
| R518 | △.1-247-107-00 | CARBON | 100 | 5% | 1/4W F | |
| R519 | 1-246-447-00 | CARBON | 82 | 5% | 1/4W | |
| R520 | △.1-247-097-00 | CARBON | 39 | 5% | 1/4W F | |
| R530 | △.1-202-725-00 | (US,Canadian)...SOLID | 3.3M | 10% | 1/2W | |
| R601 | 1-246-489-00 | CARBON | 4.7K | 5% | 1/4W | |
| R602 | 1-246-467-00 | CARBON | 560 | 5% | 1/4W | |
| R603 | 1-246-447-00 | CARBON | 82 | 5% | 1/4W | |
| R604 | 1-246-493-00 | CARBON | 6.8K | 5% | 1/4W | |
| R605 | 1-246-493-00 | CARBON | 6.8K | 5% | 1/4W | |
| R606 | 1-246-489-00 | CARBON | 4.7K | 5% | 1/4W | |
| R607 | 1-246-535-00 | CARBON | 390K | 5% | 1/4W | |
| R608 | 1-246-505-00 | CARBON | 22K | 5% | 1/4W | |
| R609 | 1-246-505-00 | CARBON | 22K | 5% | 1/4W | |
| R610 | 1-246-505-00 | CARBON | 22K | 5% | 1/4W | |
| R611 | 1-246-518-00 | CARBON | 75K | 5% | 1/4W | |
| R612 | 1-246-545-00 | CARBON | 1M | 5% | 1/4W | |
| R613 | 1-247-879-00 | CARBON | 100K | 5% | 1/6W | |
| R614 | 1-246-515-00 | CARBON | 56K | 5% | 1/4W | |
| R615 | 1-247-873-00 | CARBON | 56K | 5% | 1/6W | |
| R616 | 1-246-501-00 | CARBON | 15K | 5% | 1/4W | |
| R617 | 1-247-881-00 | CARBON | 120K | 5% | 1/6W | |
| R618 | 1-247-828-00 | CARBON | 750 | 5% | 1/6W | |
| R619 | 1-247-891-00 | CARBON | 330K | 5% | 1/6W | |
| R620 | 1-247-869-00 | CARBON | 39K | 5% | 1/6W | |
| R621 | 1-247-883-00 | CARBON | 150K | 5% | 1/6W | |
| R622 | 1-247-871-00 | CARBON | 47K | 5% | 1/6W | |
| R623 | 1-246-515-00 | CARBON | 56K | 5% | 1/4W | |
| R624 | 1-246-511-00 | CARBON | 39K | 5% | 1/4W | |
| R625 | 1-246-491-00 | CARBON | 5.6K | 5% | 1/4W | |
| R626 | 1-246-515-00 | CARBON | 56K | 5% | 1/4W | |
| R627 | 1-246-499-00 | CARBON | 12K | 5% | 1/4W | |
| R628 | 1-246-537-00 | CARBON | 470K | 5% | 1/4W | |
| R629 | 1-246-499-00 | CARBON | 12K | 5% | 1/4W | |
| R630 | 1-247-879-00 | CARBON | 100K | 5% | 1/6W | |
| R631 | 1-247-879-00 | CARBON | 100K | 5% | 1/6W | |
| R632 | 1-246-499-00 | CARBON | 12K | 5% | 1/4W | |
| R633 | 1-247-857-00 | CARBON | 12K | 5% | 1/6W | |
| R634 | 1-246-499-00 | CARBON | 12K | 5% | 1/4W | |
| R635 | 1-246-499-00 | CARBON | 12K | 5% | 1/4W | |
| R636 | 1-246-497-00 | CARBON | 10K | 5% | 1/4W | |
| R637 | 1-246-511-00 | CARBON | 39K | 5% | 1/4W | |
| R638 | 1-246-505-00 | CARBON | 22K | 5% | 1/4W | |

NOTE:

- Items with no part number and no description are not stocked because they are seldom required for routine service.
- Items marked "▲" are not stocked since they are seldom required for routine service. Some delay should be anticipated when ordering these items.
- Due to standardization, parts with part numbers (△-△△△-△△△-XX or △-△△△△-△△△-X) may be different from those used in the set.

CAPACITORS:

- All capacitors are in μF . Common capacitors are omitted. Refer to the following lists for their part numbers. MF: μF , PF: μF .

RESISTORS

- All resistors are in ohms. Common 1/4W, 1/8W and 1/16W carbon resistors are omitted. Refer to the following lists for their part numbers.

F : nonflammable

COILS

- MMH : mH, UH : μH

The components identified by shading and mark ▲ are critical for safety. Replace only with part number specified.

Les composants identifiés par une trame et une marque ▲ sont critiques pour la sécurité. Ne les remplacer que par une pièce portant le numéro spécifié.

SEMICONDUCTORS

In each case, U : μ , for example:
 UA... : μA ..., UPA... : μPA ..., UPC... : μPC ,
 UPD... : μPD ...

ELECTRICAL PARTS

| Ref.No. | Part No. | Description | | | |
|---------|--------------|-------------|------|----|------|
| R639 | 1-247-879-00 | CARBON | 100K | 5% | 1/6W |
| R640 | 1-247-855-00 | CARBON | 10K | 5% | 1/6W |
| R641 | 1-247-857-00 | CARBON | 12K | 5% | 1/6W |
| R642 | 1-247-879-00 | CARBON | 100K | 5% | 1/6W |
| R643 | 1-247-879-00 | CARBON | 100K | 5% | 1/6W |
| R644 | 1-247-855-00 | CARBON | 10K | 5% | 1/6W |
| R645 | 1-247-857-00 | CARBON | 12K | 5% | 1/6W |
| R646 | 1-247-879-00 | CARBON | 100K | 5% | 1/6W |
| R647 | 1-247-879-00 | CARBON | 100K | 5% | 1/6W |
| R648 | 1-247-855-00 | CARBON | 10K | 5% | 1/6W |
| R649 | 1-247-857-00 | CARBON | 12K | 5% | 1/6W |
| R650 | 1-247-879-00 | CARBON | 100K | 5% | 1/6W |
| R651 | 1-247-879-00 | CARBON | 100K | 5% | 1/6W |
| R652 | 1-247-855-00 | CARBON | 10K | 5% | 1/6W |
| R653 | 1-247-857-00 | CARBON | 12K | 5% | 1/6W |
| R654 | 1-247-879-00 | CARBON | 100K | 5% | 1/6W |
| R655 | 1-247-879-00 | CARBON | 100K | 5% | 1/6W |
| R656 | 1-247-855-00 | CARBON | 10K | 5% | 1/6W |
| R657 | 1-247-857-00 | CARBON | 12K | 5% | 1/6W |
| R658 | 1-247-879-00 | CARBON | 100K | 5% | 1/6W |
| R659 | 1-247-879-00 | CARBON | 100K | 5% | 1/6W |
| R660 | 1-247-855-00 | CARBON | 10K | 5% | 1/6W |
| R661 | 1-247-857-00 | CARBON | 12K | 5% | 1/6W |
| R662 | 1-247-879-00 | CARBON | 100K | 5% | 1/6W |
| R663 | 1-247-879-00 | CARBON | 100K | 5% | 1/6W |
| R664 | 1-247-855-00 | CARBON | 10K | 5% | 1/6W |
| R665 | 1-247-879-00 | CARBON | 100K | 5% | 1/6W |
| R670 | 1-246-497-00 | CARBON | 10K | 5% | 1/4W |
| R671 | 1-246-497-00 | CARBON | 10K | 5% | 1/4W |
| R672 | 1-246-497-00 | CARBON | 10K | 5% | 1/4W |
| R673 | 1-246-497-00 | CARBON | 10K | 5% | 1/4W |
| R677 | 1-247-869-00 | CARBON | 39K | 5% | 1/6W |
| R701 | 1-246-483-00 | CARBON | 2.7K | 5% | 1/4W |
| R702 | 1-246-483-00 | CARBON | 2.7K | 5% | 1/4W |
| R703 | 1-246-485-00 | CARBON | 3.3K | 5% | 1/4W |
| R704 | 1-246-475-00 | CARBON | 1.2K | 5% | 1/4W |
| R705 | 1-244-897-00 | CARBON | 10K | 5% | 1/2W |
| R706 | 1-246-501-00 | CARBON | 15K | 5% | 1/4W |
| R707 | 1-246-444-00 | CARBON | 62 | 5% | 1/4W |
| R708 | 1-246-444-00 | CARBON | 62 | 5% | 1/4W |
| R709 | 1-246-429-00 | CARBON | 15 | 5% | 1/4W |
| R710 | 1-246-485-00 | CARBON | 3.3K | 5% | 1/4W |
| R711 | 1-246-475-00 | CARBON | 1.2K | 5% | 1/4W |
| R712 | 1-246-497-00 | CARBON | 10K | 5% | 1/4W |
| R713 | 1-246-491-00 | CARBON | 5.6K | 5% | 1/4W |

ELECTRICAL PARTS

| Ref.No. | Part No. | Description | | | |
|---------|----------------|---|------|----|------|
| R714 | 1-246-505-00 | CARBON | 22K | 5% | 1/4W |
| R715 | 1-246-497-00 | CARBON | 10K | 5% | 1/4W |
| R716 | 1-246-501-00 | CARBON | 15K | 5% | 1/4W |
| R717 | 1-246-497-00 | CARBON | 10K | 5% | 1/4W |
| R718 | 1-246-477-00 | CARBON | 1.5K | 5% | 1/4W |
| R719 | 1-246-497-00 | CARBON | 10K | 5% | 1/4W |
| R801 | 1-246-485-00 | CARBON | 3.3K | 5% | 1/4W |
| R901 | 1-214-859-00 | METAL | 620 | 1% | 1/2W |
| R951 | 1-214-859-00 | METAL | 620 | 1% | 1/2W |
| RT101 | 1-226-236-00 | RES, ADJ, CARBON | 10K | | |
| RT102 | 1-226-236-00 | RES, ADJ, CARBON | 10K | | |
| RT103 | 1-226-239-00 | RES, ADJ, CARBON | 100K | | |
| RT201 | 1-224-256-XX | RES, ADJ, METAL GLAZE | 220K | | |
| RT203 | 1-224-252-31 | RES, ADJ, METAL GLAZE | 10K | | |
| RT204 | 1-224-254-XX | RES, ADJ, METAL GLAZE | 47K | | |
| RT251 | 1-224-256-XX | RES, ADJ, METAL GLAZE | 220K | | |
| RT254 | 1-224-254-XX | RES, ADJ, METAL GLAZE | 47K | | |
| RT301 | 1-226-238-00 | RES, ADJ, CARBON | 50K | | |
| RT302 | 1-226-238-00 | RES, ADJ, CARBON | 50K | | |
| RT303 | 1-226-238-00 | RES, ADJ, CARBON | 50K | | |
| RT401 | 1-226-239-00 | RES, ADJ, CARBON | 100K | | |
| RT601 | 1-226-233-00 | RES, ADJ, CARBON | 1K | | |
| RY101 | 1-515-498-00 | RELAY | | | |
| RY201 | 1-515-457-00 | RELAY | | | |
| S801 | 1-553-739-21 | SWITCH, KEY BOARD | | | |
| S802 | 1-553-739-21 | SWITCH, KEY BOARD | | | |
| S803 | 1-553-739-21 | SWITCH, KEY BOARD | | | |
| S804 | 1-553-739-21 | SWITCH, KEY BOARD | | | |
| S805 | 1-553-739-21 | SWITCH, KEY BOARD | | | |
| S806 | 1-553-739-21 | SWITCH, KEY BOARD | | | |
| S807 | 1-553-739-21 | SWITCH, KEY BOARD | | | |
| S808 | 1-553-739-21 | SWITCH, KEY BOARD | | | |
| S809 | 1-554-303-00 | SWITCH, KEY BOARD | | | |
| S810 | 1-554-303-00 | SWITCH, KEY BOARD | | | |
| S811 | 1-554-303-00 | SWITCH, KEY BOARD | | | |
| S812 | 1-554-303-00 | SWITCH, KEY BOARD | | | |
| S813 | 1-554-303-00 | SWITCH, KEY BOARD | | | |
| S814 | 1-553-739-21 | SWITCH, KEY BOARD | | | |
| S815 | 1-553-739-21 | SWITCH, KEY BOARD | | | |
| S816 | 1-554-303-00 | SWITCH, KEY BOARD | | | |
| S817 | 1-554-303-00 | SWITCH, KEY BOARD | | | |
| S818 | 1-554-303-00 | SWITCH, KEY BOARD | | | |
| S819 | 1-554-303-00 | SWITCH, KEY BOARD | | | |
| S901 | △.1-553-318-00 | (AEP,UK).....SWITCH, PUSH (AC POWER) | | | |
| S901 | △.1-553-319-00 | (US,Canadian)...SWITCH, PUSH (AC POWER) | | | |
| S902 | 1-552-625-21 | SWITCH, SLIDE | | | |
| X601 | 1-527-731-00 | OSCILLATOR, CRYSTAL | | | |

NOTE:

- Items with no part number and no description are not stocked because they are seldom required for routine service.
- Items marked "▲" are not stocked since they are seldom required for routine service. Some delay should be anticipated when ordering these items.
- Due to standardization, parts with part numbers (Δ-ΔΔΔ-ΔΔΔ-XX or Δ-ΔΔΔΔ-ΔΔΔ-X) may be different from those used in the set.

CAPACITORS:

- All capacitors are in μF. Common capacitors are omitted. Refer to the following lists for their part numbers. MF:μF, PF:μμF.

RESISTORS

- All resistors are in ohms. Common 1/4W, 1/8W and 1/16W carbon resistors are omitted. Refer to the following lists for their part numbers.

- F : nonflammable

COILS

- MMH : mH, UH : μH

The components identified by shading and mark ▲ are critical for safety. Replace only with part number specified.

Les composants identifiés par une trame et une marque ▲ sont critiques pour la sécurité. Ne les remplacer que par une pièce portant le numéro spécifié.

SEMICONDUCTORS

In each case, U : μ, for example:
 UA...: μA...; UPA...: μPA...; UPC...: μPC,
 UPD...: μPD...

Sony Corporation
 Consumer Products Group
 Technical Support Dept.