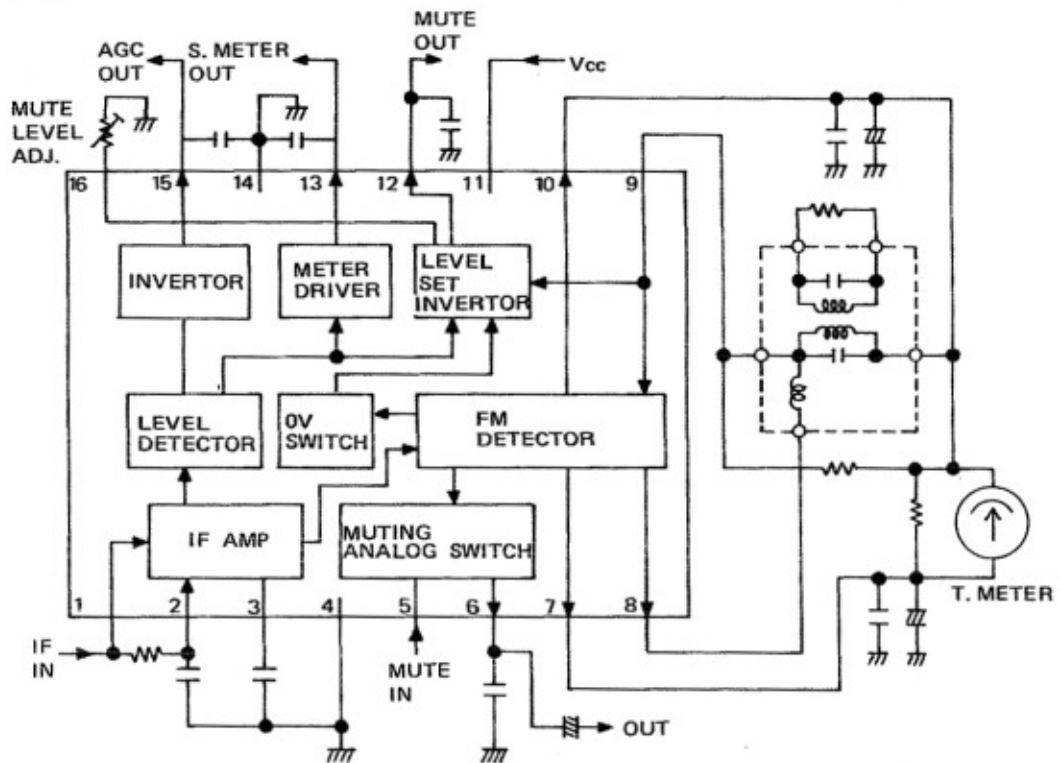


APPLICATION	FM IF System	NAME	PA3001-A
MODEL	TX-8500II	TYPE	SILICON MONOLITHIC BIPOLAR LINEAR

BLOCK DIAGRAM



PIN FUNCTIONS

Pin No.	Standard Voltage (V)	Pin Name	I/O	Function and Operation
1	1.9	INPUT	IN	FM IF input
2	1.9	BIAS	IN	Reference input
3	1.9	BIAS		Bypass capacitor connection
4	0	GND		
5		MUT IN	IN	When 1.2V or more is input, MUTING is applied to the output.
6	5.6	OUTPUT	OUT	Detected output (multipath HOR)
7	5.6 ± 1.5	T. MUT	OUT	Tuning meter output (5.6V center)
8	5.6	QUAD OUT	OUT	
9	5.6	QUAD IN	IN	
10	5.6	DC Ref	OUT	

Pin No.	Standard Voltage (V)	Pin Name	I/O	Function and Operation
11	13	Vcc		+B
12	5.4/0	MUTE AUTO OUT	OUT	Signal MUTING output (Note 1)
13	0/5	S. MET	OUT	Signal meter output (Note 2)(Multipath VER)
14	0	GND		
15	5/0.5	AGC	OUT	AGC voltage output (Note 3)
16	4.1	MUTE LEVEL ADJ		Signal MUTING level adjustment variable resistor connection

Note 1: Output goes "H" when returned or input is weak.

Note 2: Output goes "H" as input is increased.

Note 3: "H" when there is not input.