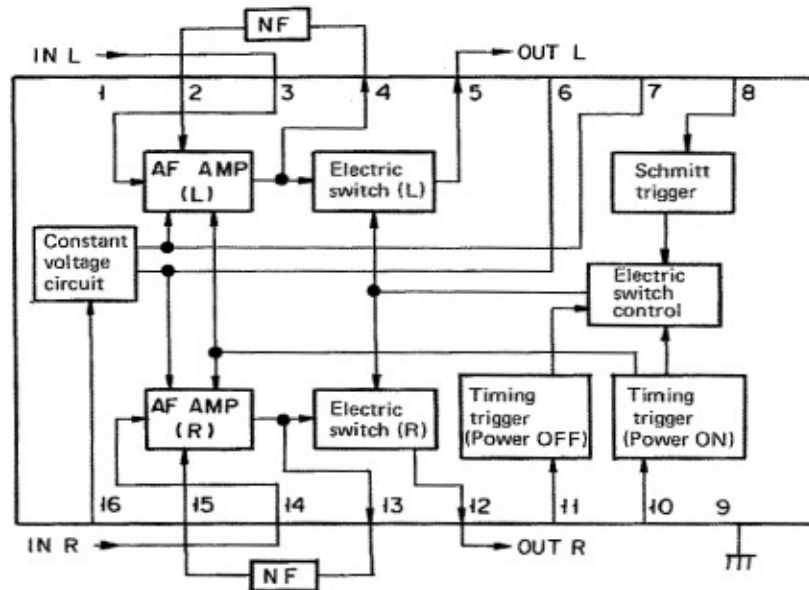


|             |                |      |        |
|-------------|----------------|------|--------|
| APPLICATION | AF AMP, MUTING | NAME | PA1002 |
| MODEL       | TX-9800        | TYPE | C MOS  |

### BLOCK DIAGRAM

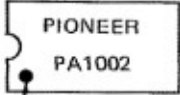
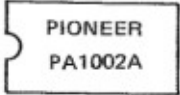
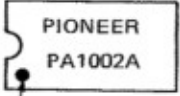
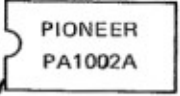


### PIN FUNCTIONS

| Pin No. | Standard Voltage (V) | Pin Name    | Function and Operation                             |
|---------|----------------------|-------------|--|
| 1       | 12.2                 | BIAS        |  |
| 2       | 6.45                 | NF IN L     | NF loop input terminal                             |
| 3       | 6.45                 | AUDIO IN L  | Audio signal input.                                |
| 4       | 6.45                 | NF OUT L    | NF Loop input terminal                             |
| 5       | 6.45                 | AUDIO OUT L | Audio signal output                                |
| 6       | 6.45                 | V Ref R     | Constant voltage output                            |
| 7       | 6.45                 | V Ref L     |  |
| 8       | 0                    | MUTE IN     | Muting ON when 1.3 ~ 5V                            |
| 9       | 0                    | GND         |  |
| 10      | 6.2                  | ON C        | Muting control at power ON, MUT on 4.6V or greater |
| 11      | 12.2                 | OFF C       | Muting control at power OFF                        |
| 12      | 6.45                 | AUDIO OUT R | Audio signal output                                |
| 13      | 6.45                 | NF OUT R    | NF loop output terminal                            |
| 14      | 6.45                 | AUDIO IN R  | Audio signal input                                 |
| 15      | 6.45                 | NF IN R     | NF loop input terminal                             |
| 16      | 13                   | VCC         |  |

No signal voltage

# FAMILY

|           |  |   |
|-----------|--|---|
| PA1002Y   |  <p>PIONEER<br/>PA1002</p> <p>Yellow dot</p>  | PA1002 SN selected part<br>PA1002Y < PA1002                                 |
| PA1002-A  |  <p>PIONEER<br/>PA1002A</p>                   | PA1002 distortion, oscillation margin<br>improved part<br>PA1002 < PA1002-A |
| PA1002-AY |  <p>PIONEER<br/>PA1002A</p> <p>Yellow dot</p> | PA1002-A SN selected part<br>PA1002-AY < PA1002-A                           |
| PA1002-AG |  <p>PIONEER<br/>PA1002A</p> <p>Green mark</p> | PA1002-A distortion, SN selected part<br>PA1002-A < PA1002-AG               |